

ANNOUNCING A NEW JOURNAL

JOURNAL OF INSECT PHYSIOLOGY

EDITORS:

V. G. DETHIER, BALTIMORE

H. E. HINTON, BRISTOL

M. LÜSCHER, BERN

Editorial Advisory Board:

Australia: D. F. WATERHOUSE; *France:* R. CHAUVIN, P. JOLY; *Germany:* H. AUTRUM, K. VON FRISCH, B. HASSENSTEIN, A. KÜHN; *Holland:* J. DE WILDE; *Italy:* C. JUCCI, L. PARDI; *Japan:* S. FUKUDA; *Switzerland:* E. HADORN; *United Kingdom:* W. H. THORPE, V. B. WIGGLESWORTH; *U.S.A.:* L. E. CHADWICK, A. G. RICHARDS, K. D. ROEDER, C. M. WILLIAMS; *U.S.S.R.:* A. S. DANILYEVSKY

The aim of this new journal is to bring together in one place contributions on insect physiology from all parts of the world. It will be concerned also with the physiology of other groups of arthropods, especially of terrestrial forms. Original work on biochemistry, toxicology, and the functional aspects of morphology, as well as papers on new techniques and methods, will be published if it contributes to the solution of physiological problems. Preference will be given to papers that contribute to an understanding of the general principles underlying the physiology of insects.

PUBLISHED QUARTERLY

Commencing March 1957

Subscription Rate A: \$17.00 per volume (postage included) for institutes, libraries, firms, government offices and similar organizations.

Subscription Rate B: \$9.80 per volume (postage included) for individual subscribers certifying that the Journal is for their private use.

DESCRIPTIVE LEAFLET ON REQUEST

CONTENTS OF THE FIRST ISSUE

BROOKS, M. A. Growth-retarding effect of carbon-dioxide anaesthesia on the German cockroach.

CASE, J. F. The median nerves and cockroach spiracular function.

EVANS, D. R. and DETHIER, V. G. The regulation of taste thresholds for sugars in the blowfly.

HASKELL, P. T. The influence of flight noise on behaviour in the desert locust (*Schistocerca gregaria* Forsk.).

KOIDSUMI, S. Antifungal action of cuticular lipids in insects.

LEGAY, J. M. Étude des modifications de certaines propriétés des oeufs de *Bombyx mori* L. dans plusieurs générations successives selon l'alimentation.

RICHARDS, A. G. Studies on arthropod cuticle-XIII. The penetration of dissolved oxygen and electrolytes in relation to the multiple barriers of the epicuticle.

WATERHOUSE, D. F. and IRZYKIEWICZ, H. An examination of proteolytic enzymes from several insects for collagenase activity.



A PERGAMON PRESS INTERNATIONAL RESEARCH JOURNAL

4 & 5 Fitzroy Sq., London, W.1. • 122 East 55th St., New York 22, N.Y. • 24 rue des Écoles, Paris Ve

York, N.Y. (A. M. Pappenheimer, Jr., Dept. of Microbiology, New York Univ., College of Medicine, 550 First Ave., New York 16.)

13-15. Society of Exploration Geophysicists, 10th annual midwestern, Fort Worth, Tex. (G. A. Grimm, Tide Water Associated Oil Co., Box 2131, Midland, Tex.)

14. Effect of Radiation on Foods, Assoc. of Vitamin Chemists, Chicago, Ill. (M. Freed, Dawe's Laboratories, Inc., 4800 S. Richmond St., Chicago 32.)

15. Fats in Human Nutrition, AMA symp., New Orleans, La. (Council on Foods and Nutrition, American Medical Assoc., 535 North Dearborn, Chicago 10, Ill.)

18-21. Institute of Radio Engineers, natl. convention, New York, N.Y. (B.

Warriner, IRE, 1 E. 79 St., New York 21.)

19-21. American Meteorological Soc., 151st national, Chicago, Ill. (K. C. Spengler, AMS, 3 Joy St., Boston 8, Mass.)

20-22. National Health Forum, Cincinnati, Ohio. (National Health Council, 1790 Broadway, New York 19.)

20-23. National Science Teachers Assoc., annual, Cleveland, Ohio. (R. H. Carleton, NSTA, 1201 16 St., NW, Washington 6.)

21-23. American Physical Soc., Philadelphia, Pa. (K. K. Darrow, APS, Columbia Univ., New York 27, N.Y.)

21-23. International Assoc. for Dental Research, annual, Atlantic City, N.J. (D. Y. Burrill, 129 E. Broadway, Louisville 2, Ky.)

21-23. Michigan Acad. of Science, Arts and Letters, annual, Detroit, Mich. (R. F. Haugh, Dept. of English, Univ. of Michigan, Ann Arbor.)

22-23. Heart: Law-Medicine Problem, Cleveland, Ohio. (O. Schroeder, Jr., Law-Medicine Center, Western Reserve Univ., Cleveland 6.)

23-28. American Soc. of Tool Engineers, 25th annual, Houston, Tex. (R. Gebers, 10700 Puritan, Detroit 38, Mich.)

24-27. American Assoc. of Dental Schools, annual, Atlantic City, N.J. (M. W. McCrea, 42 S. Greene St., Baltimore 1, Md.)

25-28. American Acad. of General Practice, 9th annual scientific assembly, St. Louis, Mo. (M. F. Cahal, AAGP, Volker Blvd. at Brookside, Kansas City 12, Mo.)

25-29. Western Metal Exposition and Congress, 10th, Los Angeles, Calif. (W. H. Eisenman, 7301 Euclid Ave., Cleveland 3, Ohio.)

26-28. Mechanisms for the Development of Drug Resistance in Microorganisms, Ciba Foundation Symp. (by invitation), London, England. (G. E. W. Wolstenholme, 41 Portland Pl., London, W.1.)

26-28. Weather Radar Conf., 6th, sponsored by American Meteorological Soc., Cambridge, Mass. (K. C. Spengler, 3 Joy St., Boston 8, Mass.)

27-29. American Power Conf., 19th annual, Chicago, Ill. (R. A. Budenholzer, Illinois Inst. of Technology, 35 W. 33 St., Chicago 16.)

27-29. Effects of Radiation on Materials, colloquium, Baltimore, Md. (Office of Naval Research, Glenn L. Martin Co., Baltimore 3.)

27-29. National Committee on Alcoholism, annual, Chicago, Ill. (Miss E. Jensen, NCA, 2 E. 103 St., New York 29.)

31-9. Pan American Cong. of Social Work, 3rd, San Juan, P.R. (Mrs. M. Velez de Perez, Apartado 3271, San Juan.)

April

1-4. American Assoc. of Petroleum Geologists, 42nd annual, St. Louis, Mo. (R. H. Dott, AAPG, Box 979, Tulsa, Okla.)

1-4. International Anesthesia Research Soc., cong., Phoenix, Ariz. (A. W. Friend, Wade Park Manor, Cleveland 6, Ohio.)

1-4. Society of Economic Paleontologists and Mineralogists, annual, St. Louis, Mo. (S. P. Ellison, Jr., Dept. of Geology, Univ. of Texas, Austin.)

1-5. Assoc. of American Geographers, annual, Cincinnati, Ohio (B. W. Adkinson, Reference Dept., Library of Congress, Washington 25.)

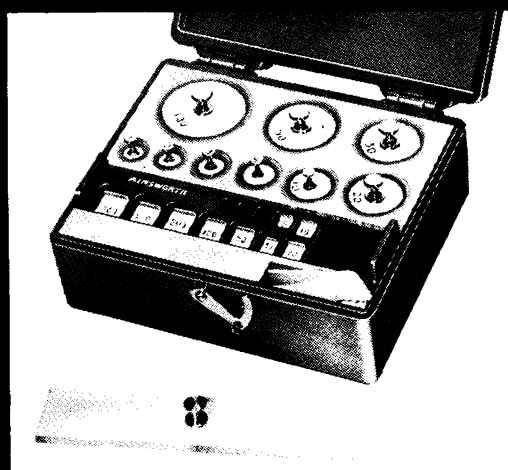
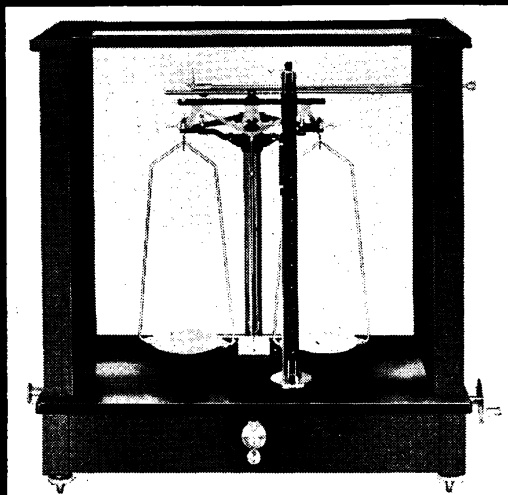
2-3. Future Developments in Food Preservation, symp., Kansas City, Mo. (Food Symposium, Midwest Research Inst., 425 Volker Blvd., Kansas City 10.)

4-5. Dietary Fats—Helpful or Harmful, 3rd annual nutrition conf., Detroit, Mich. (A. H. Smith, Wayne State Univ. College of Medicine, Detroit 7.)

5-6. American Mathematical Soc., New York, N.Y. (J. H. Curtiss, AMS, 190 Hope St., Providence 6, R.I.)

(See issue of 18 January for comprehensive list)

**GOOD
BALANCES**
deserve
**GOOD
WEIGHTS**
**AINSWORTH
HAS BOTH**
**ACCURACY
REQUIRES BOTH**



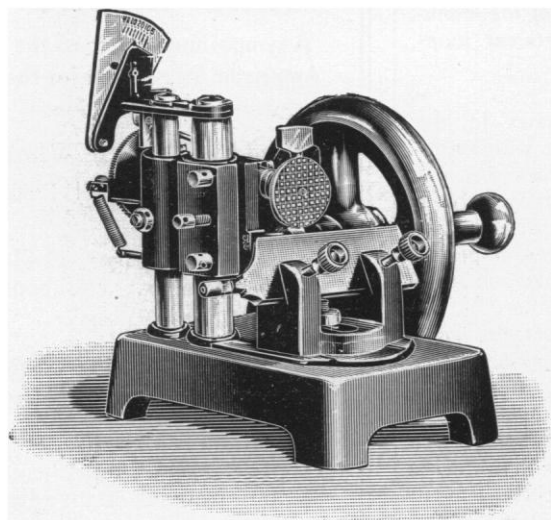
GOOD CHEMISTS DESERVE GOOD WEIGHTS, TOO...for accuracy with less time and trouble. You have a choice of Rhodium plated bronze, Brunton Metal, or stainless steel Ainsworth weights. Classes M, S and S-1.

SEE YOUR LABORATORY SUPPLY SALESMAN OR WRITE FOR CATALOG

W. M. AINSWORTH & SONS, INC.
2151 LAWRENCE STREET • DENVER 5, COLORADO

SARTORIUS Mod. 36a

Rotary Microtome for schools and laboratories



A truly fine microtome for sectioning at 5 micron intervals. Object stage 30mm dia, 80mm knife.

Price

\$170.00

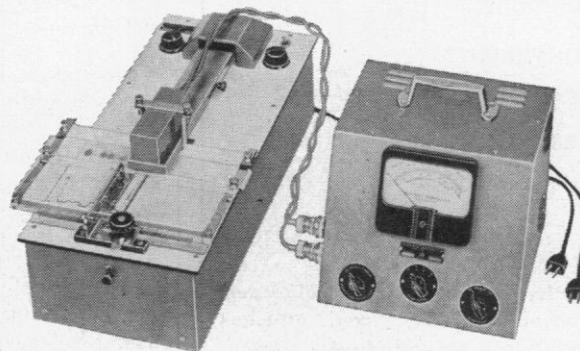
Immediate Delivery

C. A. Brinkmann & Co., Inc.

376-380 Gr. Neck Rd.
Great Neck L.I., N.Y.

PHOTOVOLT Densitometer

for Partition Chromatography
and Paper Electrophoresis



A photoelectric precision instrument for the rapid and convenient evaluation of strips and sheets of filter paper in partition chromatography and paper electrophoresis.

Write for Bulletin #800 to

PHOTOVOLT CORP.

95 Madison Avenue New York 16, N. Y.

Also

Colorimeters
Fluorimeters
Nephelometers

pH meters
Reflection Meters
Glossmeters

Electronic Photometers
Multiplier Photometers
Interference Filters



NOW —

The Colorimetric Determination of SERUM GLUTAMIC PYRUVIC TRANSAMINASE

at approximately 505 m μ .

Uses the same Calibration Curve as for SGO-T.

Requires only one additional reagent.

STOCK NO. 505-51 - 100 ml - \$6.00

Request SGP-T Supplement to Bulletin 505.

For Determinations of

TRANSAMINASE OR LACTIC DEHYDROGENASE

at 340 m μ .

Use our new

SINGLE DETERMINATION VIAL OF DPNH

(Stock No. 340-2)

contains 0.2 mg reduced DPN - \$.25 ea.

Eliminates unstable stock solution and tedious preparation. Add other reagents directly to vial.

PHONE COLLECT:



DAN BROIDA,
St. Louis,
Missouri

Office:

PRospect 1-5750

Home:

WYdown 3-6418

Call Sigma for reagents for all methods of
SERUM LACTIC ACID DEHYDROGENASE
SERUM MALIC DEHYDROGENASE
SERUM TRANSAMINASE

BE SURE YOU RECEIVED
YOUR FALL 1956 CATALOG
LISTING PREVIOUSLY UN-
AVAILABLE COMPOUNDS.



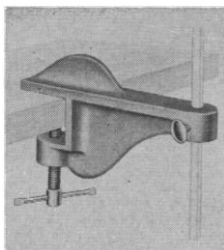
SIGMA
CHEMICAL COMPANY

3500 DeKalb STREET, ST. LOUIS 18, MO., U.S.A.

MANUFACTURERS OF THE FINEST BIOCHEMICALS AVAILABLE

SHELF-GRIP APPARATUS SUPPORT

- CONVENIENT
- ECONOMICAL
- VERSATILE
- Price.....\$6.50



Sturdy, light-weight aluminum bracket with 5 1/2" arm, attaches quickly and securely to any convenient shelf up to 1-3/8" thick..... fastened by tightening a screw-clamp. Accepts 1/2" rod to which ordinary rings and clamps attach leaving bench surface entirely unobstructed.

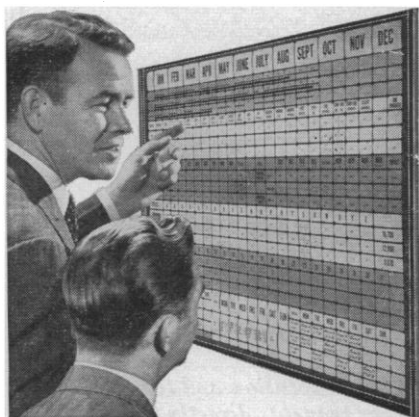
WRITE FOR LITERATURE



**RESEARCH
SPECIALTIES
COMPANY**

2005 Hopkins St. - Berkeley 7, Calif.

You Get Things Done With Boardmaster Visual Control



- ★ Gives Graphic Picture of Your Operations — Spotlighted by Color
- ★ Facts at a glance — Saves Time, Saves Money, Prevents Errors
- ★ Simple to operate — Type or Write on Cards, Snap in Grooves
- ★ Ideal for Production, Traffic, Inventory, Scheduling, Sales, Etc.
- ★ Made of Metal. Compact and Attractive. Over 100,000 in Use

Complete price **\$49⁵⁰** including cards

FREE

24-PAGE BOOKLET NO. NP-20
Without Obligation

Write for Your Copy Today

GRAPHIC SYSTEMS

55 West 42nd St. • New York 36, N. Y.

EQUIPMENT NEWS

All inquiries concerning items listed here should be addressed to Science, Room 604, 11 W. 42 St., New York 36, N.Y. Include the name(s) of the manufacturer(s) and the department number(s).

■ **FREQUENCY METER** operates in the range from 0 to 42 Mcy/sec with an accuracy of ± 1 cy/sec. It can also be used as an elapsed-time meter (range, 1 μ sec to 10 Msec), an events-per-unit-time meter, a time-interval meter, a period meter, a frequency-ratio meter, and as a high-speed electronic counter. By use of auxiliary plug-in equipment, the range can be extended to 515 Mcy/sec at the same accuracy. (Beckman Instruments, Inc., Dept. S136)

■ **TEMPERATURE CONTROLLER** that utilizes a thermistor as its detecting element provides sensitivity of control of 0.25°F. The unit provides three modes of control — on-off, proportional, and adjustable-differential. It can be used to regulate water baths, ovens, hot plates, heating mantles, and other laboratory equipment. (Fenwal, Inc., Dept. S137)

■ **REFLECTING OBJECTIVE MICROSCOPE** is designed for work in visible, ultraviolet, and infrared light. The reflecting objectives are available in the magnification range from $\times 15$ to $\times 172$. The working distance at $\times 15$ is 24 mm. (Ealing Corp., Dept. S140)

■ **CHROMATOGRAPH** is designed to make continuous samplings of any gaseous process stream. Each sample is automatically passed through a packed column of absorbent material that breaks the mixture into its component parts and then registers on a graph the percentage of each component. The information can be fed into a control system. (Beckman Instruments, Inc., Dept. S147)

■ **STANDARD-TAPER SLEEVE** consists of an elongated cone of polytetrafluoroethylene film 0.003 in. thick that fits over ground-glass cones of sizes from 10/30 to 55/50. The sleeves are chemically inert except in the presence of metallic sodium, and they can be used at temperatures in the range between -75° and 300°C . The Quorn sleeves are designed to eliminate the problem of joint seizure; greases are not required to establish a seal. (Arthur F. Smith Co., Dept. S148)

■ **HIGH-VACUUM FURNACE** for study of metals and alloys attains temperatures as high as 2000°C and accommodates standard crucibles with capacity of 2 lb of steel. It is available with either glass or metal bell jars. (National Research Corp., Dept. S153)

THE FUTURE OF ARID LANDS

A symposium volume of the American Association for the Advancement of Science

Edited by Gilbert F. White
Department of Geography,
University of Chicago

6 x 9 inches, 464 pages, 49 illustrations, index, clothbound, October 1956

Price \$6.75. AAAS Members' pre-paid order price \$5.75

The volume presents the efforts of scientists from 17 countries and from as many disciplines to assess the state of man's struggle to make productive and stable use of the world's arid lands.

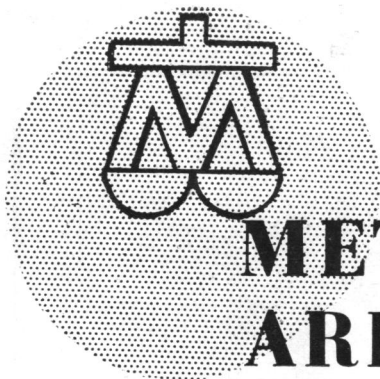
It contains the papers and recommendations of the International Arid Lands Symposium and Conference, Albuquerque and Socorro, New Mexico, April and May 1955.

The symposium develops around a few basic questions. The representation and treatment of the subjects are highly interdisciplinary and lead to some important conclusions. The breadth and scope are indicated by the groupings of the Conference recommendations: Anthropology, Archaeology and Geography; Meteorology and Climatology; Hydrology, Geology and Soils; Biology, Ecology and Conservation; Organization, Communication, and Interdisciplinary Programs. Workers in all these fields, as well as administrators of government and private programs, will find the contents of this volume both stimulating for ideas and invaluable as a source of information.

British Agents—Bailey Bros. & Swinfen, Ltd., 46 St. Giles High Street, London

**American Association
for the
Advancement of Science**

1515 Massachusetts Ave., N.W.,
Washington 5, D.C.



METTLER BALANCES ARE TRULY MODERN

Because...

Their design is based on sound principles . . .

They are very well constructed . . .

They are easy to operate. . . . a pleasure to work with.

The METTLER precision balance, type K-7T, is an excellent example of such a truly modern balance. It is fast, sturdy, compact, easy to use, and above all, reliable. It has a taring device, which is fast and simple and lets you compensate for any container weighing up to 100 g. Capacity: 800 grams. Built-in mechanical weights: 700 grams. Range of optical scale: 100 grams, with scale divisions of 0.1 g. Precision: ± 0.03 grams.



METTLER K-7T
PRECISION
BALANCE

HOW MODERN ARE YOUR WEIGHING METHODS?

Do you deprive yourself of the savings in time and money, which these balances can bring to you, and of the ease with which even untrained operators can work with them?

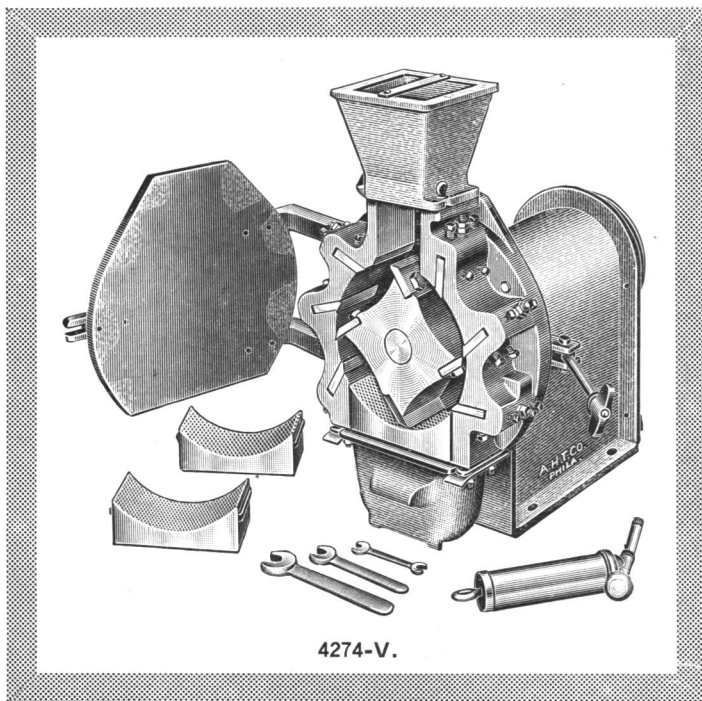
Let us show you what METTLER balances can do for you. Write to us today for our complete file on METTLER balances.



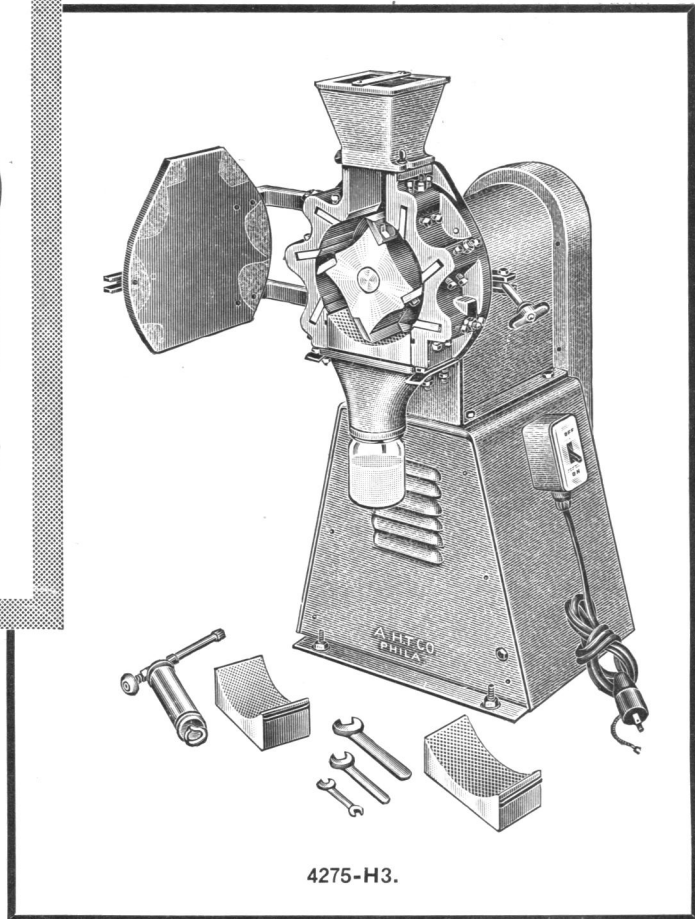
Mettler

INSTRUMENT CORPORATION

HIGHTSTOWN, N. J.



4274-V.



4275-H3.

New Standard Model No. 3

WILEY LABORATORY MILL

Wider range of use . . .

Quieter operation . . .

Increased safety . . .

For the preparation, with minimal loss of moisture from heating, of a wide variety of materials for laboratory analysis. Principal advantages of new Model No. 3 are: harder cutting edges on the knives, making it suitable for a broader range of materials, including Teflon, polyethylene resins, etc.; quieter performance with less vibration; greater safety because of enclosed moving parts and latest U.L. approved wiring; greater ease of installation and maintenance; and improved appearance, i.e. Ham-mertone gray enamel with parts subject to abrasion chromium plated.

As in the earlier model, four hardened steel knives on a revolving shaft work with a shearing action against six knives bolted into the frame. The shearing action of the cutting edges, between which there is always a clearance, tends to avoid changes in the sample such as temperature rise, loss of moisture, liquefaction, contamination, etc., making this mill satisfactory for many materials which can not be reduced by other mechanical means. A sieve is dove-tailed into the frame so that none of the material comes from the grinding chamber until it can pass through the mesh.

Furnished with interchangeable receivers, i.e. either a

deep, cast aluminum drawer with rounded inner corners, 28 oz. capacity, or a chute for collecting the sample directly in a standard screw neck glass jar, 16 oz. capacity, or in a bag, table drawer, etc. Either receiver slides into a new, spring-loaded holding device which is adjustable for tight closure against bottom of grinding chamber to prevent loss of sample. Mill without motor or base is 21 inches high and occupies table space 14½ x 19 inches. Motor driven model is mounted on enclosed base 16¼ inches high.

4274-T. Wiley Laboratory Mill, Standard Model No. 3, with chute as shown in illustration of 4275-H3, three 1-pint glass jars with metal caps, and three sieves of 0.5 mm, 1 mm and 2 mm mesh, respectively. With pulley for V-belt, set of wrenches for adjusting knives, gun-type grease injector with 1 lb. of lubricant, but without drawer or motor. . . 576.50

4274-V. Ditto, but with drawer in place of chute and glass jars; without motor or base. 567.00

4275-H3. Wiley Laboratory Mill, Standard Model No. 3, identical with 4274-T, i.e., with chute, but complete with ½ h.p. motor with starting switch and thermal overload cutout, ½ inch V-belt and belt guard, mounted on enclosed base. For 115 volts, 60 cycles, single phase a.c. 886.00

4275-R3. Ditto, but with drawer in place of chute and glass jars. 876.50



ARTHUR H. THOMAS COMPANY

More and more laboratories rely on Thomas / Laboratory Apparatus and Reagents

VINE ST. AT 3RD • PHILADELPHIA, PA.