

SCIENCE

NEW SERIES
VOL. 95, No. 2472

FRIDAY, MAY 15, 1942

SUBSCRIPTION, \$6.00
SINGLE COPIES, .15



American War Birds Have Keen Eyes

FOR America's fighting forces, strictest requirements are imposed on the men who fly the fighter planes. Stamina, keen perception and split-second timing depend on condition. In the most critical physical examinations, particular emphasis is given to perfection of vision.

Several years ago, at the request of U. S. Army officials, Bausch & Lomb developed a special anti-glare glass for use in bright over-cloud flying. This glass, known as Ray-Ban, has the remarkable property of filtering out excess glare-producing light, at the same time transmitting most of the light useful for seeing. Army, Navy and airline pilots—as well as target shooters and motorists—have welcomed the cool, comfortable, keen vision that Ray-Ban affords.

So, again, and in still another way, Bausch & Lomb gives aid to America's all-out for Victory. Its other contributions, more obvious, include gun-fire control equipment—rangefinders, binoculars, aerial height finders. Behind the scenes, but of no less importance, are the instruments of industrial research and production—metallographic equipment, spectrographs, toolmakers' microscopes, contour-measuring projectors. Bausch & Lomb eyewear products—eye examination instruments, spectacle lenses and frames—keep a nation of workers at top visual efficiency.

BAUSCH & LOMB
OPTICAL COMPANY • ESTABLISHED 1853

AN AMERICAN SCIENTIFIC INSTITUTION PRODUCING OPTICAL GLASS AND INSTRUMENTS
FOR MILITARY USE, EDUCATION, RESEARCH, INDUSTRY AND EYESIGHT CORRECTION

Science: published weekly by The Science Press, Lancaster, Pa.

Entered as second-class matter July 18, 1923, at the Post Office at Lancaster, Pa., under the Act of March 3, 1879.



Rutgers Books
OF INTEREST
TO SCIENTISTS

SCIENTISTS FACE THE WORLD
of 1942

by Karl T. Compton, Vannevar Bush,
and Robert W. Trullinger

MOLECULAR FILMS,
THE CYCLOTRON, AND
THE NEW BIOLOGY

by Hugh Stott Taylor, Ernest O.
Lawrence, and Irving Langmuir

Each volume, uniformly bound, \$1.25

RUTGERS UNIVERSITY PRESS
NEW BRUNSWICK NEW JERSEY

RARE GASES
AND MIXTURES

NEON
ARGON
HELIUM
KRYPTON
XENON
MIXTURES

. . . Spectroscopically Pure
. . . Easily removed from bulb
without contamination

Scientific uses for Linde rare gases include—

1. The study of electrical discharges.
2. Work with rectifying and stroboscopic devices.
3. Metallurgical research.
4. Work with inert atmospheres, where heat conduction must be increased or decreased.

Many standard mixtures are available. Special mixtures for experimental purposes can be supplied upon request.

The word "Linde" is a trade-mark of

THE LINDE AIR PRODUCTS COMPANY

Unit of Union Carbide and Carbon Corporation

30 E. 42nd St., New York Offices in Principal Cities
In Canada: Dominion Oxygen Company, Ltd., Toronto

A Successful Textbook

Foley's College Physics

3rd Edition

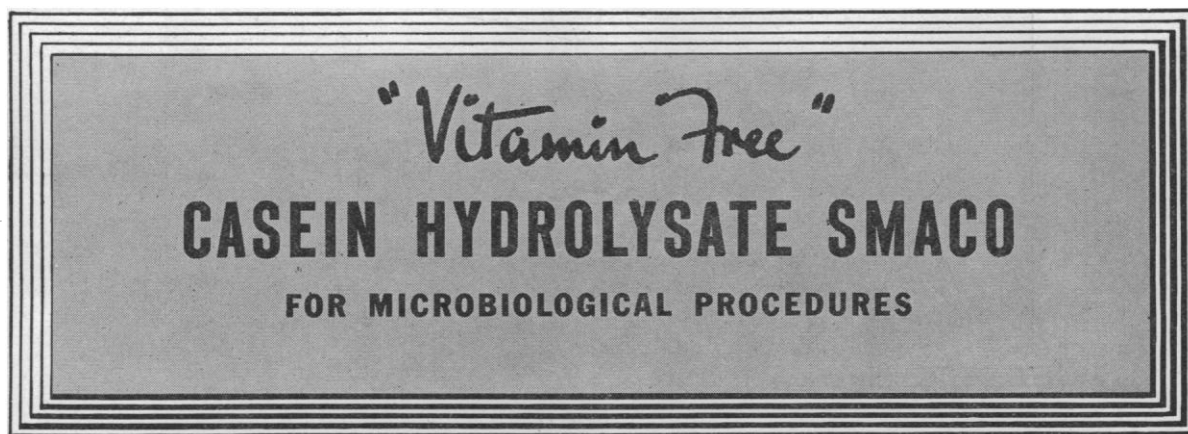
Some of Its Characteristics Are:

- | | |
|---|---|
| <ul style="list-style-type: none"> ★ Clarity and forcefulness of presentation ★ Abundance of well selected original illustrations ★ Chapters of approximately equal length making for well balanced assignments ★ Thought provoking review questions at the end of each chapter ★ Modernized treatment | <ul style="list-style-type: none"> ★ Excellent choice of problems, alternately answered ★ Repetition of fundamental facts and principles ★ Adherence to sound pedagogy. ★ Emphasis on reasoning rather than on memory ★ A complete appendix of tables and constants. |
|---|---|

By Arthur L. Foley, Ph.D., *Indiana University*

470 Illus. 757 Pages \$3.75 (1941)

THE BLAKISTON COMPANY, Philadelphia



This new product of Research Laboratories, S.M.A. Corporation, fills a growing need for a specially purified casein hydrolysate, essential for most microbiological assay procedures now in use.

Vitamin Free Casein Hydrolysate SMACO is a 10% solution of acid hydrolyzed, purified casein. When suitably supplemented it will support excellent growth of the organisms employed for microbiological procedures. Each lot is microbiologically standardized for use in assays for thiamin, riboflavin, pyridoxine, pantothenic acid, nicotinic acid (or amide), folic acid, and biotin. Supplied in 10 ml. and 100 ml. vials at the following prices:

10 ml. vials, \$4.00 per dozen
100 ml. vials, \$1.50 each, \$15.00 per dozen

A summary of current microbiological assay methods is available upon request.



REG. U. S. PAT. OFF.

Research Laboratories
S. M. A. CORPORATION
CHAGRIN FALLS, OHIO



During its many years of glass making, Corning Glass Works has developed more than 25,000 glass formulae. More than 250 different formulae are used in daily production.

Of all these formulae, none is more important to the laboratory than the formula used for PYREX brand Chemical Glass No. 774. For the development of this glass not only made America independent of foreign sources for heat-resistant laboratory ware, it did far more.

In 1915, for the first time, America had a *Balanced Glass* whose properties—mechanical and thermal strength and chemical resistance—were *scientifically balanced* for maximum laboratory usefulness, and economy through long life. Its balance gives to "PYREX" Laboratory Glassware the important qualities that make it the all-around glassware for all-around laboratory use.

When you buy laboratory ware, economize! Benefit from *Balance!* Standardize on PYREX brand Laboratory Glassware. Your regular laboratory supply dealer can furnish any of the thousands of items listed in Catalog LP21.

<p>PYREX BRAND LABORATORY WARE</p>	<p>T.M. REG. PYREX U.S. PAT. OFF.</p>	<p>CORNING means Research in Glass</p>	<p>TRADE MARK VYCOR REG. U.S. PAT. OFF.</p>	<p>"PYREX" and "VYCOR" are registered trade-marks and indicate manufacture by CORNING GLASS WORKS CORNING, N. Y.</p>
--	--	---	--	---

*We think
this is what they meant*

154 YEARS AGO, the men who drew up the Constitution of the United States wrote into it this phrase: "To provide for the common defense, to promote the general welfare."

Just what did they intend these words to mean—the men who helped guide the first faltering steps of a new nation?

We believe this is what they meant:

That in times of peace, it was the duty of all individuals and all industries continually to exercise their skill and ingenuity for the benefit of the "general welfare"—so that Americans everywhere could live healthier, happier, better lives.

We think they meant that, should American democracy ever be threatened, the defense of that democracy then became the responsibility of every man and woman in the United States.

Because we at Westinghouse believe this is the meaning of those words from the Constitution, we have lived and worked by them—and are living and working by them today.

★ ★ ★

Westinghouse contributions to the general

welfare and the common defense are many and varied. The products of Westinghouse "know how" range all the way from tiny bulbs for medical instruments to thousand-ton generators for hydroelectric power plants. And now, devoting itself to wartime needs, that same "know how" provides tank and plane equipment, binoculars, bomb fuses, torpedo tubes, battleship turbines, electrical instruments, and weapons of many kinds.

**From engineering and science
comes our "know how"**

What is this Westinghouse "know how"? It is the teamwork and experience of skilled workmen, blended with the knowledge and imagination of engineers. It is the ability to get things done in the best possible way. In war, as in peace, Westinghouse engineering and science are the guiding forces of our "know how."

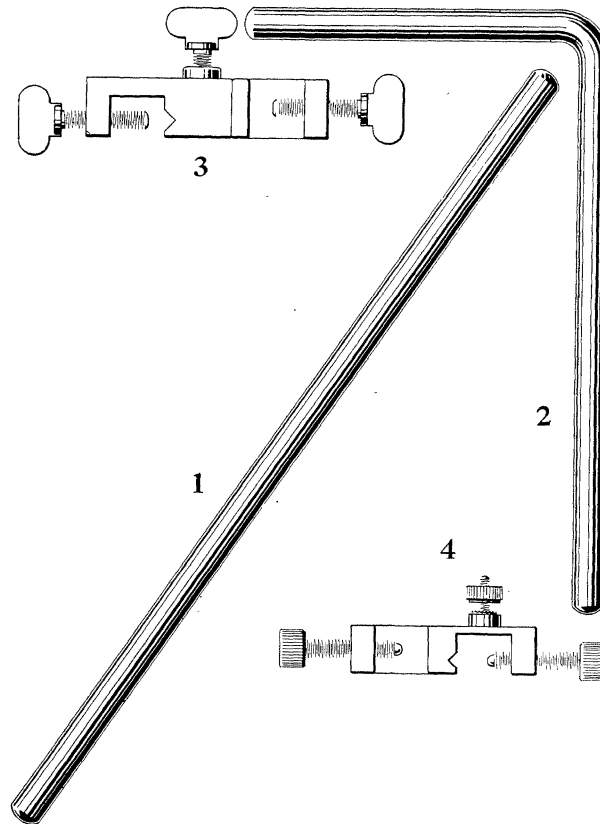
Already these men have turned over many inventions and improvements to our armed forces. And this work will continue—day and night—until America writes the peace that ends the war.

Westinghouse



WESTINGHOUSE ELECTRIC & MANUFACTURING COMPANY, PITTSBURGH, PA.

For the PHYSIOLOGICAL LABORATORY



(One-half the actual size)

1. *8-MM. Mounting Rod.* Solid or tubular: the latter is designed both for support and as a convenient conduit for electrical wiring.
2. *Right-Angle Rod.* A rigid and accurately formed support for universal adjustment of position.
3. *Swivel Clamp.* The swivel gives complete rotation and has a special hold-fast set screw.
4. *Double clamp with Binding-Post.* The regular type, but with an added binding screw for quick wiring operations.

Write for the Descriptive Catalogue with Price-List

The HARVARD APPARATUS COMPANY, Incorporated
Dover, Massachusetts

(Organized on a non-profit basis for the advancement of
teaching and investigation in physiology and allied sciences)

SCIENCE

VOL. 95

FRIDAY, MAY 15, 1942

No. 2472

Astronomy During the Early Years of the American Philosophical Society: DR. S. A. MITCHELL 489

Obituary:

Arthur Newell Talbot: PROFESSOR F. E. RICHART.
Recent Deaths 495

Scientific Events:

Scientific Research in Sweden; The Wartime Service of Harvard University; The Accelerated Program of Medical Schools; The Seventy-fifth Anniversary Celebration of the Torrey Botanical Club ... 496

Scientific Notes and News 498

Discussion:

An Untried Method of Federal Reapportionment: DR. WALTER F. WILLCOX. *Tick Parasites on Cape Cod*: DR. SIDNEY COBB. *The Effective Presentation of Scientific Reports*: ROBERT D. POTTER 501

Scientific Books:

Rotations in Psychology and the Statistical Revolution: PROFESSOR HAROLD HOTELLING 504

Societies and Meetings:

Biology and Medicine in the War: J. E. HAWKINS, JR. 507

Reports:

First Report of the War Policy Committee of the American Institute of Physics 508

Special Articles:

The Biochemical Specificity of Sulfanilamide and of Other Antibacterial Agents: DR. HENRY MCILWAIN. *The Effect of Insulin Shock on Learning in the White Rat*: DR. LOUIS BERMAN and DR. BERNARD RIESS. *Toxin Formation by *Ceratostomella ulmi**: DR. GEORGE A. ZENTMYER 509

Scientific Apparatus and Laboratory Methods:

A Photoelectric Membrane Manometer: DR. WARREN E. GILSON 513

Science News 8

SCIENCE: A Weekly Journal devoted to the Advancement of Science, edited by J. MCKEEN CATTELL and published every Friday by

THE SCIENCE PRESS

Lancaster, Pa.

Garrison, N. Y.

Annual Subscription, \$6.00

Single Copies, 15 Cts.

SCIENCE is the official organ of the American Association for the Advancement of Science. Information regarding membership in the Association may be secured from the office of the permanent secretary in the Smithsonian Institution Building, Washington, D. C.

ASTRONOMY DURING THE EARLY YEARS OF THE AMERICAN PHILOSOPHICAL SOCIETY¹

By Dr. S. A. MITCHELL

LEANDER McCORMICK OBSERVATORY, UNIVERSITY OF VIRGINIA

"It was not without being sensible how very unequal I am to the undertaking that I first consented to comply with the request of several gentlemen for whom I have the highest esteem, and to solicit your attention to a subject which an able hand might indeed render both entertaining and instructive. I mean astronomy." These words are not my own but rather they were spoken by David Rittenhouse in an "Oration" delivered on February 24, 1775, before the American Philosophical Society. According to the minutes of

the society, the oration was delivered in the college "to a crowded audience, consisting of his Honor the Governor of the Province, the Assembly, and a great number of gentlemen of the first distinction, besides the members of the Society." Moreover, the oration was dedicated "To the delegates of the Thirteen Colonies, assembled in Congress at Philadelphia, to whom the future liberties, and consequently the virtue, improvement in science and happiness in America are intrusted."

Again to quote the words of Rittenhouse:

¹ Address at the mid-winter meeting devoted to the Early History of Science and Learning in America with especial reference to the part played by the American Philosophical Society, Philadelphia, February 13 and 14, 1942.

Astronomy, like the Christian religion, if you will allow me the comparison, has a much greater influence on our knowledge in general, and perhaps on our manners, too,

If, however, the changing capacitance be used to frequency modulate an oscillator tuned to the sharply sloping portion of the selectivity curve of an intermediate frequency amplifier, and the amplifier output rectified by a diode, the rectified voltage will be in effect a directly coupled function of the voltage. This method was tried and worked quite well, but was abandoned because of mechanical difficulties in making a condenser microphone small enough to go into the heart. The principle has been used in a myograph, which will be described in a later article.

The method finally used is shown in the diagram (Fig. 1). The various parts are mounted on a tri-

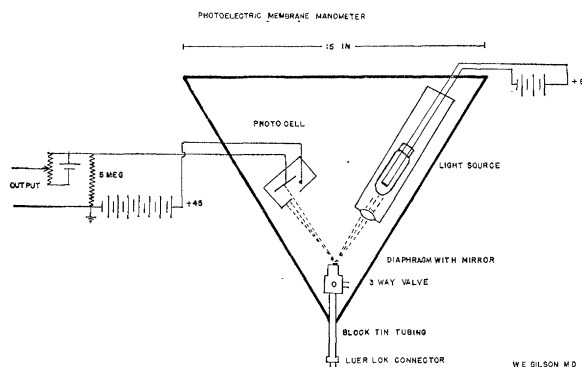


FIG. 1.

angular piece of one-half inch steel. The light source is a 75-watt exciter lamp of the type used in sound-on-film motion picture projectors. A single lens is used to focus the light on the mirror, which reflects a cone of light toward the photocell, an RCA 921 or 922. The apparatus is so adjusted that with zero pressure a small part of the light falls on the photocell. As the pressure applied to the diaphragm increases, the mirror is deflected and more light falls on the photocell. This produces an electrical change which is amplified by a push-pull direct coupled amplifier² and causes a deflection of the cathode ray spot, the amplitude of which is controlled by varying the gain of the amplifier.

The entire pressure system is filled with citrate solution. The three-way valve provides for connection between the diaphragm chamber and the side arm, for calibration against a mercury column, between the diaphragm chamber and the needle for record taking, and between the side arm and the needle for washing out the pressure system.

The output is linear over a wide range, as determined by accurate calibration. The device is easily adjusted and very flexible. It may be used to record the 160 mm Hg pressure change in the dog ventricle or the 1 mm Hg change in the turtle auricle. To my

² H. Goldberg, "Electrical Engineering," January, 1940, Trans. p. 60.

knowledge the latter has not been accurately recorded previously.

The frequency response is good, and entirely dependent on the mechanical design of the membrane manometer. This design is discussed by Wiggers.¹ The first part of his book would be of value to any one interested in using an instrument of this type.

The results and records obtained may be seen in papers by Eyster, Meek and Goldberg.^{3, 4}

The photoelectric membrane manometer is not restricted in its application to cardiovascular research, but should be of value in a wide variety of physical and engineering problems.

In summary, its advantages over optical projection are:

1. Greater sensitivity.
2. Variable sensitivity. Pressure changes of any magnitude may be represented by any desired deflection of the cathode ray spot, simply by changing the amplifier gain.
3. Electrical changes may easily be recorded simultaneously.
4. Insertion of the needle is easy, because the entire device may be moved as a unit to any position desired.
5. It is not necessary to work in a room twenty feet in length.

WARREN E. GILSON

DEPARTMENT OF PHYSIOLOGY,
UNIVERSITY OF WISCONSIN MEDICAL SCHOOL

³ H. Goldberg and J. A. E. Eyster, *Am. Jour. Physiol.*, 131: 416, 1940.

⁴ J. A. E. Eyster, Walter J. Meek and Harold Goldberg, *Am. Jour. Physiol.*, 131: 760, 1941.

BOOKS RECEIVED

- BELDING, DAVID L. *Textbook of Clinical Parasitology*. Illustrated. Pp. 888. D. Appleton-Century Company, Inc.
- BELL, R. P. *Acid-Base Catalysis*. Pp. 211. Oxford. \$3.50.
- COLEMAN, LAURENCE VAIL. *College and University Museums*. Illustrated. Pp. 73. Waverly Press, Inc. \$1.25.
- ENGELBRETH-HOLM, JULIUS. *Leukaemia in Animals*. Pp. 245. Oliver and Boyd.
- HACK, JOHN T. *The Changing Physical Environment of the Hopi Indians of Arizona*. Illustrated. Pp. 85. Cambridge.
- HACK, JOHN T. *Prehistoric Coal Mining in the Jeddito Valley, Arizona*. Illustrated. Pp. 24. Cambridge.
- NICHOLS, JOHN T. *Representative North American Fresh-Water Fishes*. Illustrated. Pp. 128. The Macmillan Company. \$1.25.
- Respiratory Enzymes*. A symposium. OTTO MEYERHOF and others. Pp. 281. The University of Wisconsin Press. \$3.00.
- RICE, VICTOR ARTHUR. *Breeding and Improvement of Farm Animals*. Third edition. Illustrated. Pp. 750. McGraw-Hill Book Company, Inc. \$5.00.
- Science, Philosophy and Religion*. A symposium. Edited by LYMAN BRYSON and LOUIS FINKELSTEIN. Pp. 559. Conference on Science, Philosophy and Religion in Their Relation to the Democratic Way of Life, Inc.
- SWINGLE, D. B. *Plant Life*. Illustrated. Pp. 457. D. Van Nostrand Company, Inc. \$3.00.
- The American Philosophical Society. *Year Book 1941*. Pp. 423. Lancaster Press, Inc.

New Texts for War Training Courses in Radio

MICROWAVE TRANSMISSION

By JOHN C. SLATER, Massachusetts Institute of Technology. *International Series in Physics.* In Press—Ready in August

In this new book, the first of its kind to be published in this field of growing importance, an attempt has been made to steer a middle course between very elementary and very advanced standards; between the highly theoretical and the completely practical. Microwaves are treated both from the standpoint of conventional trans-

mission lines and of Maxwell's equations. Topics covered include: transmission lines; Maxwell's equations, plane waves, and reflection; rectangular wave guides; the general transmission line problem; radiation from antennas; directive devices for antennas; and the coupling of coaxial lines and wave guides.

FREQUENCY MODULATION

By AUGUST HUND, Consulting Engineer. In Press—Ready in August

Here is a critical engineering treatment of all phases of frequency modulation, from basic principles to the design of commercial apparatus. The practical applications follow closely the latest and best engineering practice. Phenomena and features in frequency modulation are described in comparison with customary

amplitude modulation and in comparison with phase modulation. Simultaneous occurrence of frequency modulation with either of the other types of modulation, as well as the simultaneous action of all three types of modulation, are treated in the theoretical part of the book.

ELECTRICAL FUNDAMENTALS OF COMMUNICATION

By ARTHUR L. ALBERT, Oregon State College. In Press—Ready in August

This important forthcoming book is unique in that it deals with electrical fundamentals from the point of view of communications—telegraphy, telephony, and radio. Designed for beginning students, the book is elementary, yet at the same time it maintains a high

standard of technical accuracy and provides a sound foundation in the subject. Examples from communication illustrating the electrical fundamentals are given throughout the book. The book is strictly modern and up to date in all details.

MATHEMATICS FOR ELECTRICIANS AND RADIOMEN

By NELSON M. COOKE, Chief Radio Electrician, U. S. Navy. 604 pages, 6 x 9. \$4.00

This outstanding new text—a pioneer in its field—is widely used in radio technician training courses. The book has one dominant aim: to furnish the electrical and radio student with a sound mathematical foundation and to show him how to apply this knowledge to the solution of practical problems most frequently en-

countered in actual practice. The mathematical scope of the book includes elementary algebra through quadratic equations, logarithms, trigonometry, elementary plant vectors, and vector algebra as applied to alternating current circuits.

RADIO ENGINEERING HANDBOOK. *New third edition*

Prepared by a Staff of Twenty-eight Specialists. 945 pages, 4½ x 7. \$5.00 Editor-in-Chief: KEITH HENNEY, Editor, *Electronics*.

The chief revision in this working manual of the radio sciences has been made in the sections on television, high-frequency technique, loud speakers and acoustics, detection and modulation, facsimile, and air-craft radio. As in former editions, considerable fundamental data

is provided for the designer and operator, with the emphasis on practice rather than on theory. A feature of the book is the wealth of tables, charts, equations, formulas, and diagrams.

UNDERSTANDING RADIO

By HERBERT M. WATSON, Associate Member of the Institute of Radio Engineers, and HERBERT E. WELCH and GEORGE EBY, Stockton Junior College. 601 pages, 5½ x 8. \$2.80

Designed especially for the beginning student without previous knowledge of radio principles and operation, this book covers the fundamental theory and circuits in an exceptionally clear, step-by-step manner. The authors show how to construct a variety of hook-ups, including receiving sets and transmitters, amplifiers, oscil-

lators, power supply, etc., and explains the tests and operations that demonstrate the theory underlying each part. The very practical treatment includes picture layouts as well as circuit diagrams, instructions for making apparatus, etc.

Send for copies on approval

McGRAW-HILL BOOK COMPANY, INC.

330 West 42nd Street, New York, N. Y.

Aldwych House, London, W.C.2

Interior Radiation Insures Even Chamber Temperature for Better Incubation



THE Castle Precision Incubator No. 554, (as recommended for milk analysis by the agar plate method), features a temperature so uniform throughout that one thermometer is sufficient to secure accurate temperature measurements. This is due to the Castle method of heat transmission by *interior radiation* rather than by convection. It operates with a constancy of $\pm 1/5^\circ$ C. and a uniformity of $\pm 7/8^\circ$ C., under full load conditions.

22 gallons of warm water, accurately controlled, provide thousands of calories of reserve heat to compensate quickly for any heat loss.

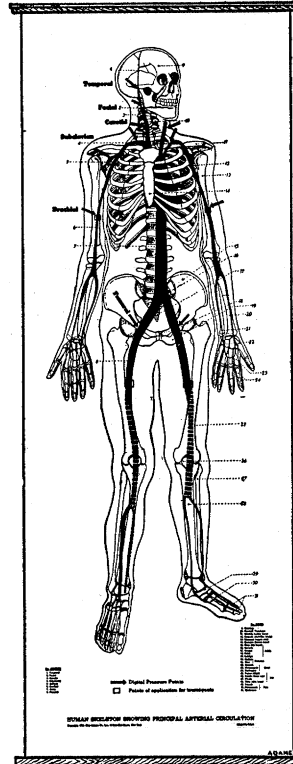
Other models in varying capacities for various bacteriological applications are available.

Write—

WILMOT CASTLE COMPANY

1212 University Ave.,
Rochester, N. Y.

For Your . . . First Aid Courses



NEW! - - - First Aid Pressure Point, Skeleton, Circulation Chart

Developed for Civilian Defense First Aid Courses. 2/3 natural size (18" x 54") for visibility to large groups. Principal arterial circulation (in red) is shown in relation to the skeleton (in black). Pressure and tourniquet points, and principal bones and arteries are clearly labeled on the chart. Printed on muslin backed paper with wood rollers top and bottom. Supplied in cardboard mailing tube which serves for easy carrying.

No. 7561
Each
\$2.25
Prices higher outside U. S. A. In N. Y. C. add 2c for sales tax.

We will send the Chart post-paid if check accompanies your order.

CLAY-ADAMS CO INC.

44 EAST 23rd STREET, NEW YORK, N. Y.

