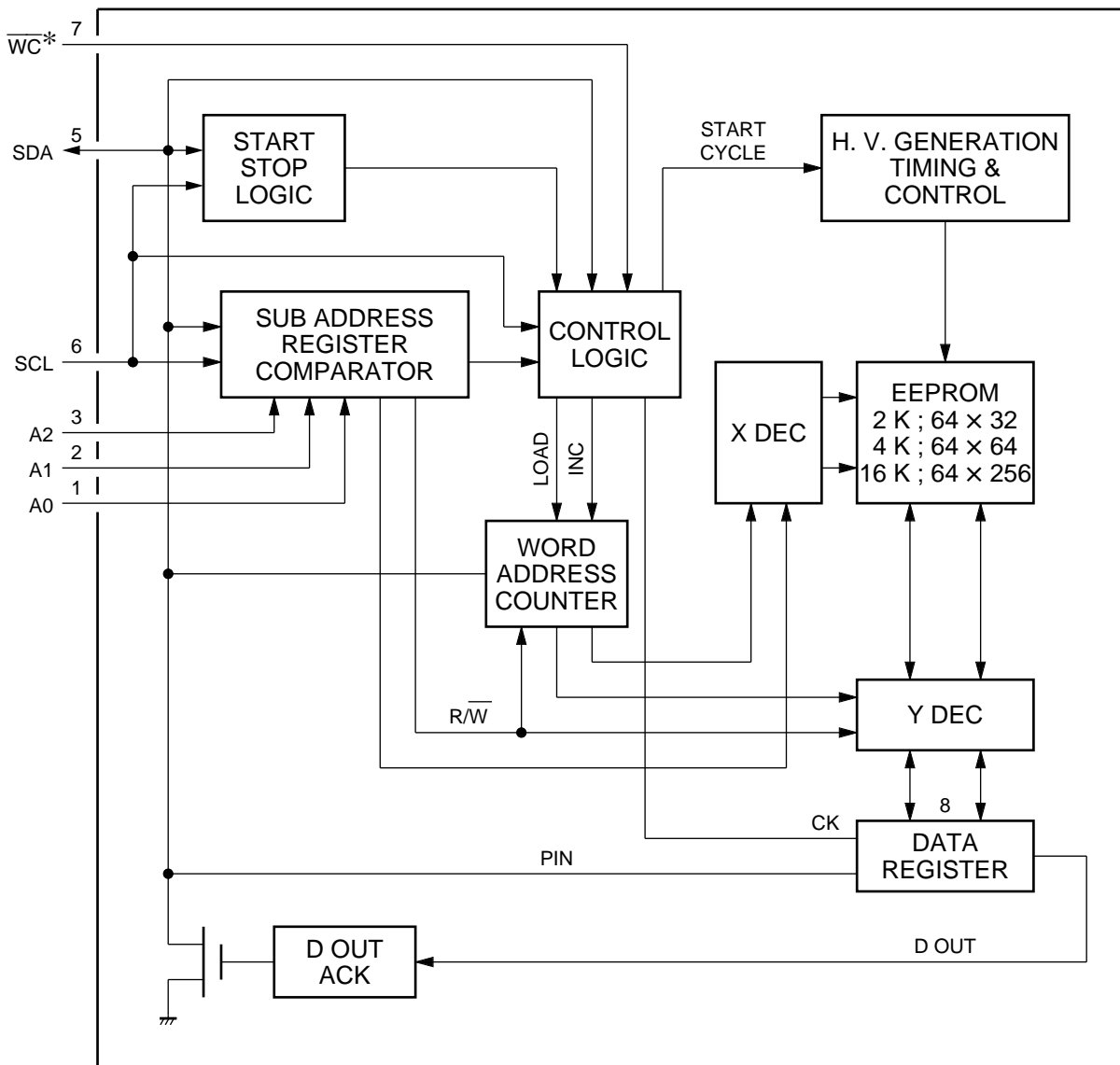
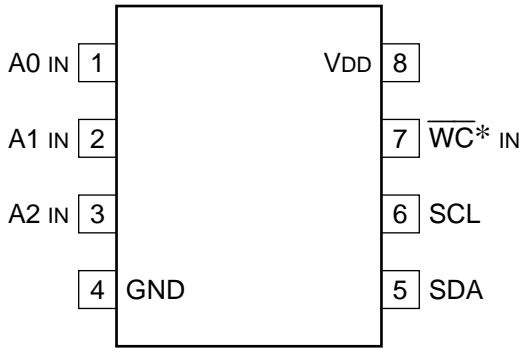


C-MOS SERIAL EEPROM

—TOP VIEW—



* : TEST (at X24164SIC7000)
 NC (at NM24C16LEM8)