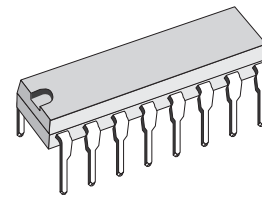


TV VERTICAL DEFLECTION OUTPUT CIRCUIT

- POWER AMPLIFIER
- FLYBACK GENERATOR
- THERMAL PROTECTION
- REFERENCE VOLTAGE



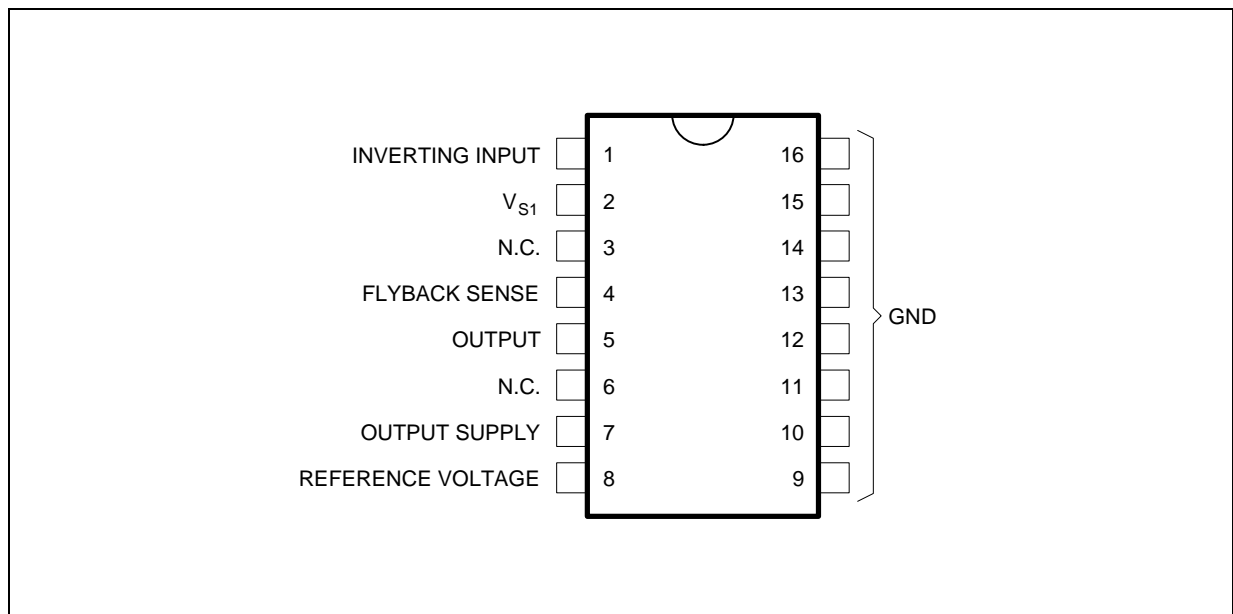
DIP16
(Plastic Package)

ORDER CODE : TDA8173

DESCRIPTION

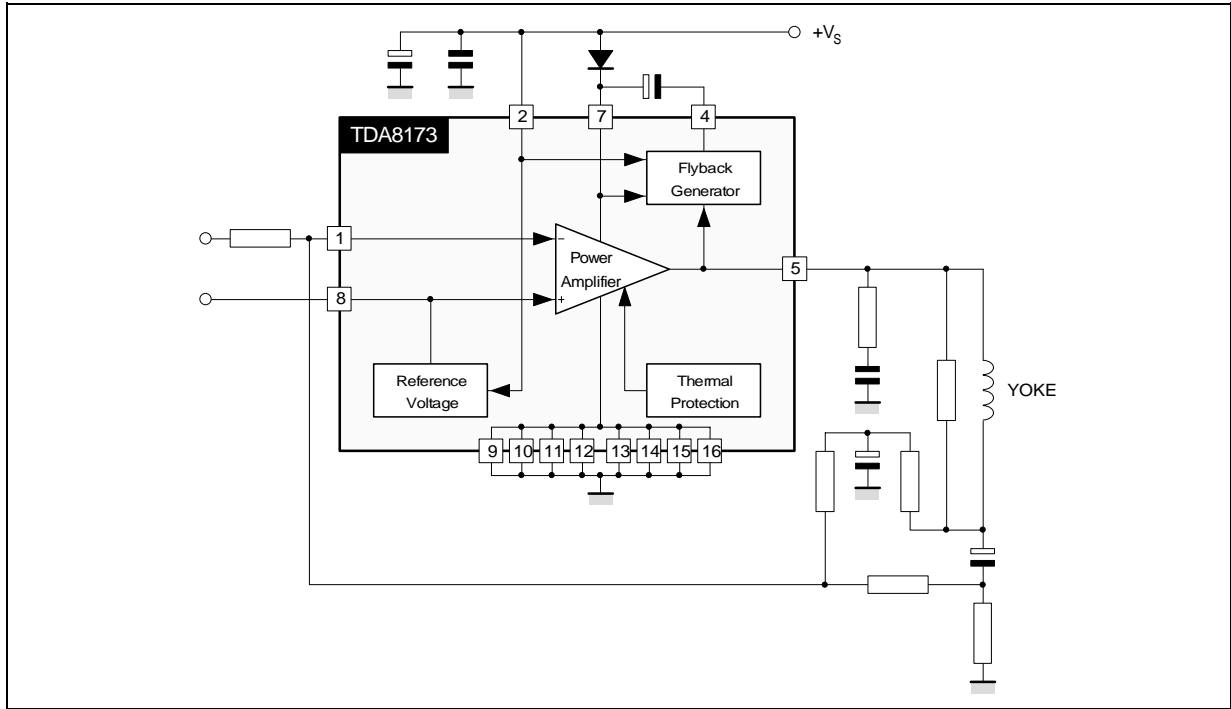
The TDA8173 is a monolithic integrated circuit in POWERDIP package. It is a high efficiency power booster for direct driving of vertical windings of TV yokes. It is intended for use in Color and B & W television sets as well as in monitors, and displays.

PIN CONNECTIONS (top view)



8173-01EPS

BLOCK DIAGRAM



8173-02.EPS

ABSOLUTE MAXIMUM RATINGS

| Symbol | Parameter | Value | Unit |
|----------------|--|------------------|--------------|
| V_S | Supply Voltage (pin 2) | 35 | V |
| V_5 | Flyback Peak Voltage | 60 | V |
| V_4 | Voltage at Pin 4 | + V_S | |
| V_1, V_8 | Amplifier Input Voltage | + V_S - 0.5 | V |
| I_o | Output Peak Current (non repetitive, $t = 2$ ms) | 2.5 | A |
| I_o | Output Peak Current at $f = 50$ or 60 Hz, $t \leq 10$ μ s | 3 | A |
| I_o | Output Peak Current at $f = 50$ or 60 Hz, $t > 10$ μ s | 2 | A |
| I_4 | Pin 4 DC Current at $V_5 < V_2$ | 100 | mA |
| I_4 | Pin 4 Peak to Peak Flyback Current at $f = 50$ or 60 Hz, $t_{fly} \leq 1.5$ ms | 3 | A |
| P_{tot} | Total Power Dissipation at $T_{case} = 60$ $^{\circ}$ C | 6 | W |
| T_{stg}, T_j | Storage and Junction Temperature | - 40 to 150 | $^{\circ}$ C |

8173-01.TBL

THERMAL DATA

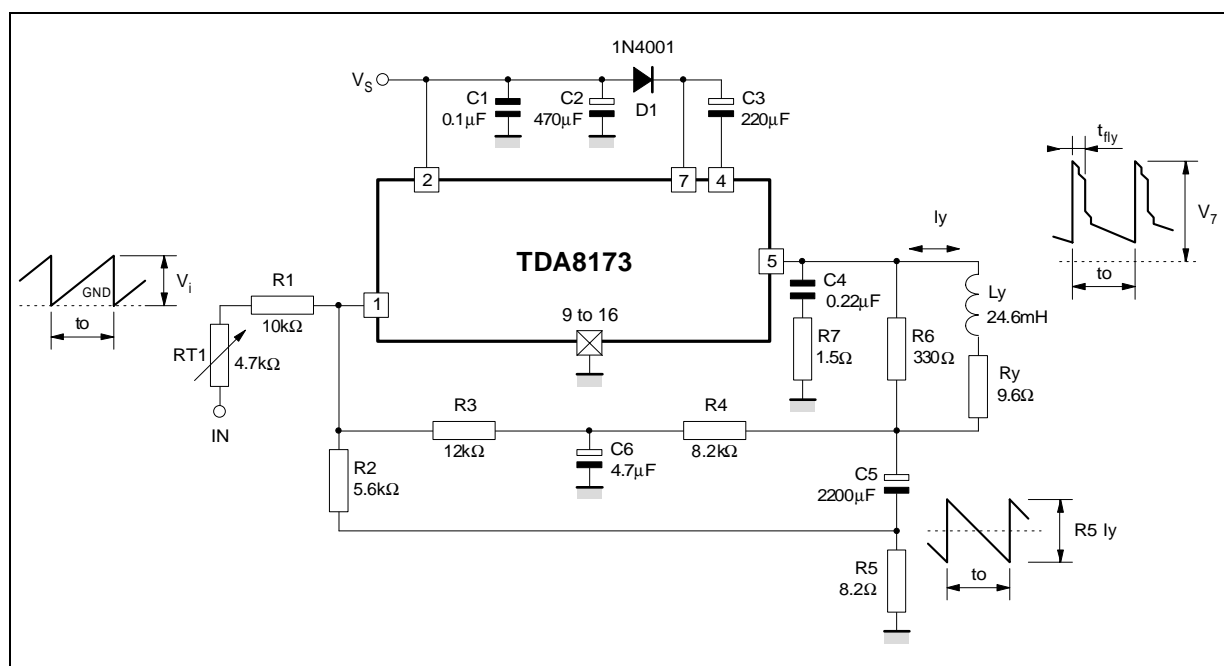
| Symbol | Parameter | Value | Unit |
|---------------|-------------------------------------|---------|----------------|
| $R_{th(j-c)}$ | Thermal Resistance Junction-case | Max. 15 | $^{\circ}$ C/W |
| $R_{th(j-a)}$ | Thermal Resistance Junction-ambient | Max. 70 | $^{\circ}$ C/W |

8173-02.TBL

ELECTRICAL CHARACTERISTICS(refer to the test circuits, $V_S = 35\text{V}$, $T_{\text{amb}} = 25^\circ\text{C}$ unless otherwise specified)

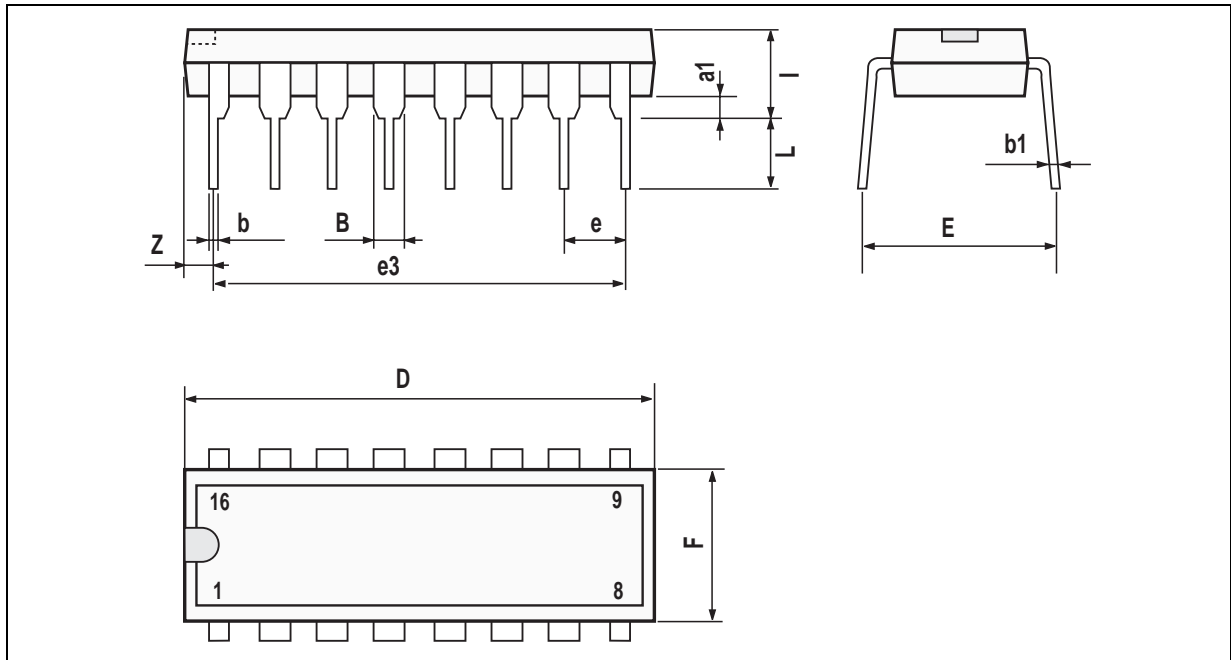
| Symbol | Parameter | Test Conditions | Min. | Typ. | Max. | Unit |
|---------------------------------|---|--|------|------|------|------------------|
| I_2 | Pin 2 Quiescent Current | $I = 0, I_5 = 0$ | | 8 | 16 | mA |
| I_7 | Pin 7 Quiescent Current | $I = 0, I_5 = 0$ | | 16 | 36 | mA |
| I_1 | Amplifier Input Bias Current | $V_1 = 1\text{V}$ | | -0.1 | -1 | μA |
| V_{4L} | Pin 4 Saturation Voltage to GND | $I_4 = 20\text{mA}$ | | 1 | | V |
| V_5 | Quiescent Output Voltage | $V_S = 35\text{V}, R_a = 39\text{k}\Omega$ | | 18 | | V |
| V_{5L} | Output Saturation Voltage to GND | $I_5 = 1.2\text{A}$ | | 1 | 1.4 | V |
| | | $I_5 = 0.7\text{A}$ | | 0.7 | 1 | V |
| V_{5H} | Output Saturation Voltage to Supply | $-I_5 = 1.2\text{A}$ | | 1.6 | 2.2 | V |
| | | $-I_5 = 0.7\text{A}$ | | 1.3 | 1.8 | V |
| T_j | Junction Temperature for Thermal Shut Down | | | 140 | | $^\circ\text{C}$ |
| V_8 | Reference Voltage | | | 2.2 | | V |
| $\frac{\Delta V_8}{\Delta V_S}$ | Reference Voltage Drift versus Supply Voltage | $V_S = 15\text{ to }30\text{V}$ | | 1 | 2 | mV |

8173-03.TBL

TEST CIRCUITS

8173-03.EPS

PACKAGE MECHANICAL DATA
16 PINS - PLASTIC DIP



| Dimensions | Millimeters | | | Inches | | |
|------------|-------------|-------|------|--------|-------|-------|
| | Min. | Typ. | Max. | Min. | Typ. | Max. |
| a1 | 0.51 | | | 0.020 | | |
| B | 0.77 | | 1.65 | 0.030 | | 0.065 |
| b | | 0.5 | | | 0.020 | |
| b1 | | 0.25 | | | 0.010 | |
| D | | | 20 | | | 0.787 |
| E | | 8.5 | | | 0.335 | |
| e | | 2.54 | | | 0.100 | |
| e3 | | 17.78 | | | 0.700 | |
| F | | | 7.1 | | | 0.280 |
| i | | | 5.1 | | | 0.201 |
| L | | 3.3 | | | 0.130 | |
| Z | | | 1.27 | | | 0.050 |

DIP16.TBL

Information furnished is believed to be accurate and reliable. However, SGS-THOMSON Microelectronics assumes no responsibility for the consequences of use of such information nor for any infringement of patents or other rights of third parties which may result from its use. No licence is granted by implication or otherwise under any patent or patent rights of SGS-THOMSON Microelectronics. Specifications mentioned in this publication are subject to change without notice. This publication supersedes and replaces all information previously supplied. SGS-THOMSON Microelectronics products are not authorized for use as critical components in life support devices or systems without express written approval of SGS-THOMSON Microelectronics.

© 1994 SGS-THOMSON Microelectronics - All Rights Reserved

Purchase of I²C Components of SGS-THOMSON Microelectronics, conveys a license under the Philips I²C Patent. Rights to use these components in a I²C system, is granted provided that the system conforms to the I²C Standard Specifications as defined by Philips.

SGS-THOMSON Microelectronics GROUP OF COMPANIES

Australia - Brazil - China - France - Germany - Hong Kong - Italy - Japan - Korea - Malaysia - Malta - Morocco
The Netherlands - Singapore - Spain - Sweden - Switzerland - Taiwan - Thailand - United Kingdom - U.S.A.