

# IC INFORMATION

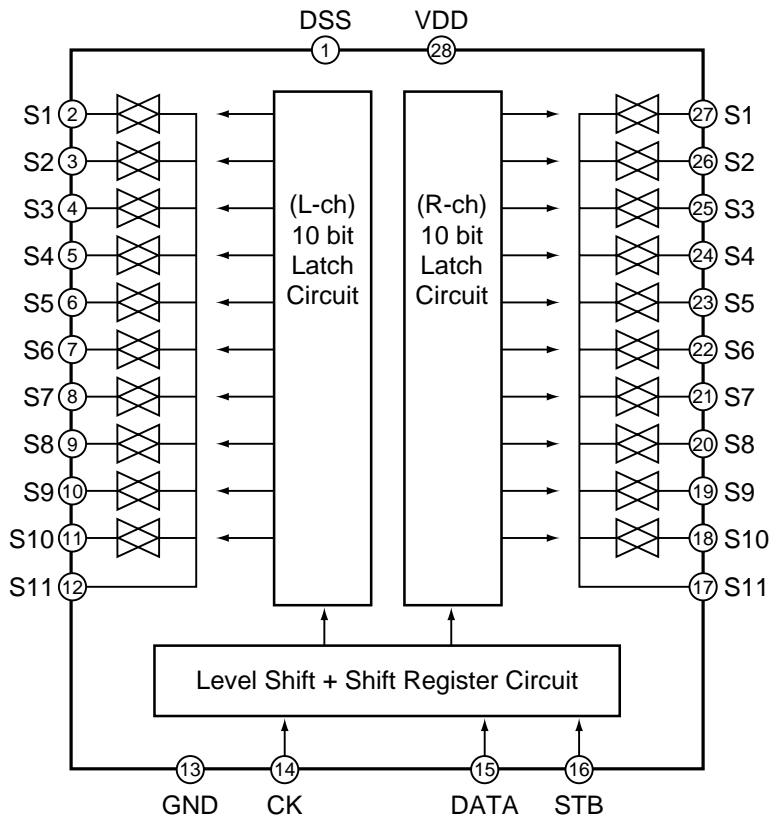
# TC9273F-007

1/1

**E**

Function	Analog Switch Array	Model	VSX-D510
Type	CMOS		

## ● Block Diagram



## ● Pin Function

No.	Pin Name	Function
1	VSS	Minus Power Supply
2, 27	S1	Input and Output
3, 26	S2	
4, 25	S3	
5, 24	S4	
6, 23	S5	
7, 22	S6	
8, 21	S7	
9, 20	S8	
10, 19	S9	
21, 18	S10	
26, 17	S11	
13	GND	Digital Ground
14	CK	Clock Input
15	DATA	Data Input
16	STB	Strobe Input
28	VDD	Plus Power Supply