



Designing with the HDSP-211X Smart Display Family

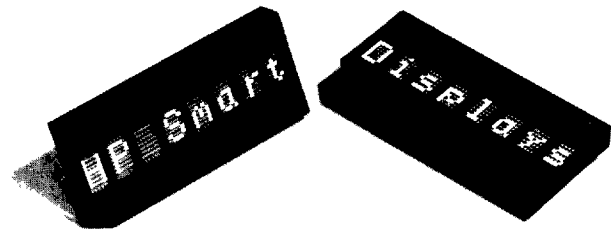
TABLE OF CONTENTS

Introduction	1
6808 Hardware Interface	1
Software Interface	3
6808 UDCLOAD Subroutine Temporary Memory	4
6808 UDCLOAD Subroutine	4
6808 Display Subroutine Temporary Memory	6
6808 Display Subroutine	6
6808 Dispload Program	7
8085 Hardware Interface	7
8085 UDCLOAD Subroutine Temporary Memory	10
8085 UDCLOAD Subroutine	10
8085 Display Subroutine Temporary Memory	10
8085 Display Subroutine	10
8085 Dispload Program	11

INTRODUCTION

Hewlett-Packard's smart alphanumeric display, the HDSP-211X, is built to optimize the user's display design. Each HDSP-211X has an on-board CMOS IC which displays eight alphanumeric characters. The CMOS IC consists of an eight byte Character RAM, an 8 bit Flash RAM, a 128 character ASCII decoder, a 16 symbol User-Defined Character (UDC) RAM, a UDC Address Register, a Control Word Register and the refresh circuitry necessary to synchronize the decoding and driving of eight 5 x 7 dot matrix characters. Designers should treat the HDSP-211X as a RAM, whose purpose is to store and display a combination of ASCII characters, UDC symbols and control information.

This application note is intended to serve as a design and application guide for users of the HDSP-211X. The user is assumed to be familiar with the HDSP-211X data sheet or to have a copy available. The information presented will cover interfacing the HDSP-211X to either a Motorola 6808 or an Intel 8085 microprocessor. The 6808 and 8085 microprocessors have been selected as typical 8 bit microprocessors. The 6808 has a single R/W line and does not multiplex the address and data bus. The 8085 has separate Read and Write lines and does multiplex the address and data lines. These approaches may be used with most microprocessor systems. Different length display systems may be created with simple modifications to the hardware and software described in this application note.



6808 HARDWARE INTERFACE

The circuit in Figure 1 illustrates how to interface an HDSP-211X to a Motorola 6808 microprocessor. The display interfaces directly to the 6808 bus with the addition of a 74LS138 decoder and a 74LS373 transparent latch.

The 74LS138 is used to generate individual Chip Enables for each of the HDSP-211X displays. These Chip Enables are generated by ANDing a combination of the higher order address bits (A_8 , A_9 , and A_{10}) with E and VMA. Based on the circuit shown in Figure 1, the displays are memory mapped at locations 0400h, 0500h, 0600h and 0700h. Since the address bus is only partly decoded, other address combinations can also access the display.

The 74LS373 is used to generate the address information for the HDSP-211X displays. The 74LS373 is used to hold this address information stable after the Chip Enable goes high. VMA and E are used to gate the latch enable to ensure that valid address information is stored in the latch.

Figure 2 shows how the six low order address lines are connected to the display. The latch outputs corresponding to microprocessor outputs A_0 - A_4 are connected to the same display address inputs. The output corresponding to A_5 is connected to the display \overline{FL} input. Thus each display requires 64 bytes of memory space.

Separate Read and Write signals are generated for the display by using an inverter on the microprocessor R/W

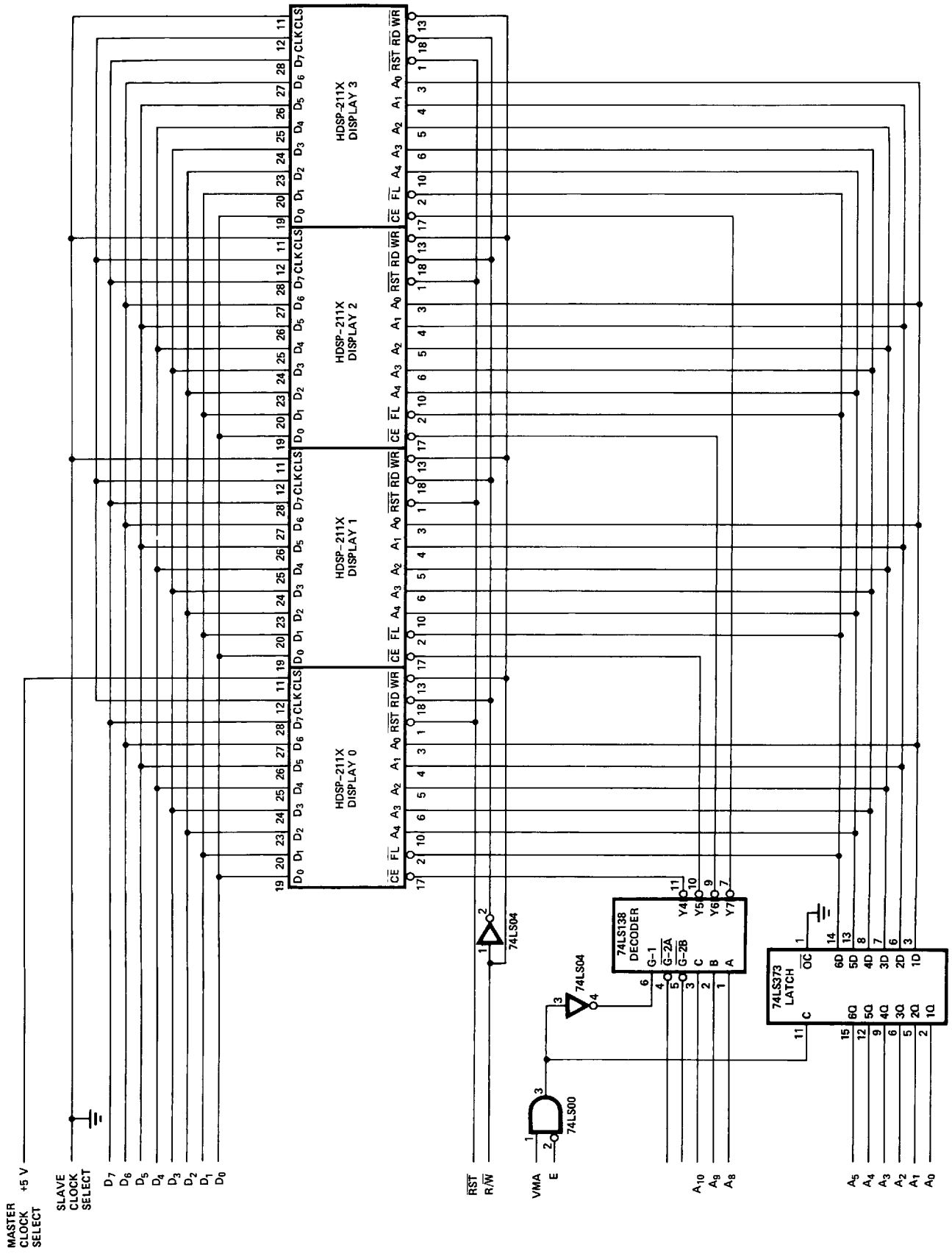


Figure 1. 32 Character Interface to 6808 Microprocessor

4447584 0012108 727 ■

A ₅	A ₄	A ₃	A ₂	A ₁	A ₀	Microprocessor Address line	
FL	A ₄	A ₃	A ₂	A ₁	A ₀	Display Inputs	
0	X	X	0	0	0	Flash RAM	LeftMost Digit of the Display
0	X	X	1	1	1	Flash RAM	RightMost Digit of the Display
1	0	0	X	X	X	UDC Address Register	
1	0	1	0	0	0	UDC RAM	Top Row
1	0	1	1	1	0	UDC RAM	Bottom Row
1	0	1	1	1	1	Ignored	
1	1	0	X	X	X	Control Word Register	
1	1	1	0	0	0	Character RAM	LeftMost Digit of the Display
1	1	1	1	1	1	Character RAM	RightMost Digit of the Display

Figure 2. Mapping of the Lower Order Microprocessor Address Lines

output. Although the display read function is selected even when the display is not addressed, since the Chip Enable is high, the display data lines are tristated. Information is passed on the microprocessor data bus, D₀-D₇, to the display data lines, D₀-D₇, when either the Read or the Write input is held low and the display Chip Enable is held low.

The Reset, Clock I/O and Clock Select lines are used to synchronize systems with multiple displays. The circuit is drawn so that the clock of the first display is the master clock for the other displays. The Reset lines are connected to make a display master reset. The displays will be synchronized after the system has been reset by holding the master reset low for at least 300 ns.

The display system may be lengthened by adding HDSP-211X displays and connecting the display pins to the appropriate microprocessor pins. The Chip Enable pin has to be connected to an unused output from the 74LS138 decoder. The display system can be shortened by removing HDSP-211X displays from the system.

SOFTWARE INTERFACE

The HDSP-211X is easy to program. There are five blocks (Control Word register, UDC Address register, UDC RAM, Flash RAM, and Character RAM) within the IC which influence the operation of the display. The designer can control the operation of these blocks through his software program. The recommended sequence to program these blocks is to set the programmable features (Control Word register); store the custom characters (UDC Address register and UDC RAM); set the individual characters to be flashed (Flash RAM); and load the message to be displayed (Character RAM). Using this sequence ensures that the message appears on the display as expected. Described in the following paragraphs are a series of software programs written to load custom characters into the UDC RAM and to load ASCII text into the Character RAM. This sequence can be encoded using a main program and two subroutines. One subroutine is used to load custom characters from a table to the display UDC RAM. The other subroutine is used to load character data from another table to the display Character RAM.

SOURCE STATEMENTS				COMMENTS
DISP0FL	EQU	0400h		Flash RAM Display 0
DISP1FL	EQU	0500h		Flash RAM Display 1
DISP2FL	EQU	0600h		Flash RAM Display 2
DISP3FL	EQU	0700h		Flash RAM Display 3
DISP0UA	EQU	0420h		UDC Addr. Reg Display 0
DISP1UA	EQU	0520h		UDC Addr. Reg Display 1
DISP2UA	EQU	0620h		UDC Addr. Reg Display 2
DISP3UA	EQU	0720h		UDC Addr. Reg Display 3
DISP0UD	EQU	0428h		UDC RAM Display 0
DISP1UD	EQU	0528h		UDC RAM Display 1
DISP2UD	EQU	0628h		UDC RAM Display 2
DISP3UD	EQU	0728h		UDC RAM Display 3
DISP0CW	EQU	0430h		Control Word Display 0
DISP0CW	EQU	0530h		Control Word Display 1
DISP0CW	EQU	0630h		Control Word Display 2
DISP0CW	EQU	0730h		Control Word Display 3
DISP0CH	EQU	0438h		Character RAM Display 0
DISP1CH	EQU	0538h		Character RAM Display 1
DISP2CH	EQU	0638h		Character RAM Display 2
DISP3CH	EQU	0738h		Character RAM Display 3

Figure 3. Address Locations and Labels Associated With Each Block in a 32 Character Message System

To program each display it is necessary to know the address of each block within each display. Figure 3 shows the address locations and the labels associated with each block for the 32 character addressing schemes shown in Figure 1 and 15. A₆ and A₇ are not decoded so each display occupies 256 bytes of memory. The display is memory mapped at location XXYY hex. The most significant byte, XX, is the HDSP-211X location and the least significant byte, YY, is the location of a block within the display. The four displays are located at memory locations 04YYh, 05YYh, 06YYh, and 07YYh, where 04YYh is the location of the leftmost display and 07YYh is the location of the rightmost. Flash RAM data is stored from location XX00h to location XX07h, where XX00h is associated with the leftmost character of a display and XX07h is the rightmost character of a display. The UDC Address register is located in location XX20h. The top row of the UDC RAM is located at location XX28h and the bottom row at location XX2Eh. The Control Word register is located XX30h. Character data is stored from XX38h to XX3Fh, where XX38h is the leftmost character of the display and XX3Fh is the rightmost character of the display.

Figure 4 shows the location and labels for the main program, subroutines and data. DISPLOAD is the main program which calls and passes information to the subroutines. UDCLOAD is a subroutine which loads 16 Custom Characters into one HDSP-211X. TABLEDOT is the location of the top row of the first UDC symbol. DISPLAY is a subroutine which loads the Character RAM of one HDSP-211X. CHAR is the location of the leftmost character in the message.

6808 UDCLOAD SUBROUTINE TEMPORARY MEMORY

Figure 5 shows four memory locations that are used for temporary storage by the UDCLOAD subroutine. Three locations are used to store information passed from the

main program to the subroutine. The fourth is used as an internal counter.

UDCADDR stores the memory location of the UDC Address register (XX20h) for the UDCLOAD subroutine. The content of UDCADDR will be XX20h when the subroutine finishes execution.

UDCRAMR stores the memory location of the top row of the UDC RAM (XX28h) for the UDCLOAD subroutine. The content of the UDCRAMR will be XX28h when the subroutine finishes executing.

UDCDATAT stores the location of the first character in TABLEDOT (0820h) for the UDCLOAD subroutine. The content of UDCDATAT will be 088Fh when the subroutine has finished execution.

COUNT is used by the UDCLOAD to keep track of which character is being loaded into the UDC RAM. The user does not need to initialize COUNT prior to executing UDCLOAD.

6808 UDCLOAD SUBROUTINE

Figure 6 shows the program listing for the UDCLOAD subroutine. This routine transfers UDC dot data from main memory to one display UDC RAM. Two loops are used to load the UDC RAM. The outer loop, labeled NUDC, is repeated 16 times, one time for each UDC RAM location. COUNT is used to keep track of the number of times NUDC has been executed. NUDC loads the UDC Address register with the address of a UDC symbol. The inner loop, labeled NROW, is executed seven times for each execution of NUDC. NROW loads data into the UDC RAM row by row starting with the top row and ending with the bottom row. Three pieces of information are passed to the subroutine. They are the memory locations of the UDC Address register (UDCADDR), the UDC RAM (UDCRAMR) and the UDC data table (UDCDATAT).

SOURCE STATEMENTS				COMMENTS
DISPLOAD	EQU	0100h		Displays 32 char. Message
UDCLOAD	EQU	0200h		Subroutine to load UDC RAM
TABLEDOT	EQU	0820h		Dot Information for UDC RAM
DISPLAY	EQU	0000h		Subroutine to load Char. RAM
CHAR	EQU	0300h		32 Character Message

Figure 4. Location and Labels for the Main Program, Subroutines and Data

LOC		ORG	\$0250h	
0250	UDCADDR	RMB	2	UDC Address Register Data
0252	COUNT	RMB	1	UDC pointer
0253	UDCDATAT	RMB	2	UDC dot data
0255	UDCRAMR	RMB	2	UDC row

Figure 5. Memory Location Used to Pass Information from the Main Program to the Subroutines.

LOC	OBJECT CODE	ORG	\$0200h		
0200	C6 00	UDCLOAD	LDA B	I,\$00	
0202	FE 0250	NUDC	LDX	E,UDCADDR	Load UDC Address Register with pointer
0205	E7 00		STA B	X,\$00	
0207	5C		INC B		
0208	F7 0252		STA B	E,COUNT	Store character counter
020B	C6 00		LDA B	I,\$00	Load row counter
020D	FE 0253	NROW	LDX	E,UDCDATAT	Load Accumulator A with dot data
0210	A6 00		LDA A	X,\$00	
0212	08		INX		Store address of next dot data
0213	FF 0253		STX	E,UDCDATAT	
0216	FE 0255		LDX	E,UDCRAMR	Store dot data in UDC RAM
0219	A7 00		STA A	X,\$00	
021B	08		INX		Store address of next row
021C	FF 0255		STX	E,UDCRAMR	
021F	5C		INC B		Last row of character? No — get next row.
0220	C1 07		CMP B	I,\$07	Yes — adjust UDCRAMRT to top
0222	26 E9		BNE	NROW	row of char
0224	F6 0256		LDA B	E,UDCRAMR+1	
0227	CO 07		SUB B	I,\$07	
0229	F7 0256		STA B	E,UDCRAMR+1	
022C	F6 0252		LDA B	E, COUNT	Last character? No — load
022F	C1 10		CMP B	I,\$10	next character. Yes — return
0231	26 CF		BNE	NUDC	
0233	39		RTS		

Figure 6. Subroutine to Load the UDC RAM with Custom Symbols

Memory table "TABLEDOT" is organized as shown in Figure 7. Each of the 16 symbols is specified in a block of seven memory locations. The first symbol is stored in UDC RAM location 0 hex and the last symbol is stored in UDC RAM location F hex. The first location within a block is the top row of a symbol and the last location in a block is the bottom row.

Figure 8 shows how a greater than or equal to, "≥", sign can be created as a UDC symbol. Executing the UDCLOAD subroutine with 0420h stored at UDCADDR, 0428h stored at UDCRAMR and 0820 stored at UDCDATAT will cause the "≥" sign to be stored in of the leftmost display UDC RAM location 0h. The subroutine will also load the fifteen

MEMORY LOCATION	UDC CHARACTER	ROW
0820	0h	1
0821	0h	2
:		
:		
0827	0h	7
:		
:		
0889	Fh	1
088F	Fh	7

Figure 7. Organization of UDC Data to be Used with the UDCLOAD Routine

MEMORY LOCATION	HEX DATA	1 D4	2 D3	3 D2	4 D1	5 D0		0h UDC CHARACTER
0820	08	0	1	0	0	0	ROW 1	*
0821	04	0	0	1	0	0	ROW 2	*
0822	02	0	0	0	1	0	ROW 3	*
0823	04	0	0	1	0	0	ROW 4	*
0824	08	0	1	0	0	0	ROW 5	*
0825	00	0	0	0	0	0	ROW 6	
0826	1F	1	1	1	1	1	ROW 7	* * * * *

0 = logic 0; 1 = logic 1; * = illuminated LED

Figure 8. Data to load "≥" into the UDC RAM

other UDC RAM locations. To display this symbol, 80 hex has to be stored in the Character RAM of the leftmost display.

6808 DISPLAY SUBROUTINE TEMPORARY MEMORY

Figure 9 shows two memory locations which are used for temporary storage by the DISPLAY subroutine.

TABLECH stores the memory location of the leftmost character of the message (0300h) to be displayed for the DISPLAY subroutine. After the execution of DISPLAY, the value stored in TABLECH will have been incremented by 8. Thus, for systems consisting of multiple HDPS-211Xs, TABLECH needs to be initialized only for the leftmost display.

DISPL stores the memory location of the Character RAM (XX38h) for the DISPLAY subroutine. The contents of DISPL will be XX3F when the subroutine finishes execution.

0257	TABLECH	RMB 2	Character pointer
0259	DISPL	RMB 2	Character RAM address

Figure 9. Memory Location Used to Pass Information from the Main Program to the Subroutines.

6808 DISPLAY SUBROUTINE

Figure 10 shows the program listing for the DISPLAY subroutine. This routine transfers character data from main memory to the Character RAM of one display. The program loads all 8 Character RAM locations by executing the loop labeled "NCHAR" 8 times. The leftmost character is loaded first and the rightmost is loaded last. Two pieces of information are passed to the subroutine. They are the location of the Character RAM (DISPL) and the location of the message (TABLECH). For display systems using more than one HDSP-211X, the subroutine will remember the location of the next 8 byte block of the message. Figure 11 shows the organization of a 32 character message.

MEMORY LOCATION	DISPLAY ADDRESS
0300	0438
0307	043F
0308	0538
:	
:	
:	
031F	073F

Figure 11. Organization of a 32 Character Message used with the Display Routines

LOC	OBJECT	CODE	ORG	\$0000	
0000	C6	08	DISPLAY	LDA	B I, \$08
0002	FE	0257	NCHAR	LDX	E, TACLECH
0005	A6	00		LDA	A X, \$00
0007	08			INX	
0008	FF	0257		STX	E, TABLECH
000B	FE	0259		LDX	E, DISPL
000E	A7	00		STA	A X, \$00
0100	08			INX	
0011	FF	0259		STX	E, DISPL
0014	5A			DEC	B
0015	C1	00		CMP	B I, \$00
0017	26	E9		BNE	NCHAR
0019	39			RTS	

Figure 10. Subroutine to Load Character RAM

Figure 12 shows how a 32 character message is stored in memory for use with the DISPLAY subroutine. Figure 13 shows how this message will look after executing the DISPLOAD program.

MEMORY LOCATION	ASCII DATA	ASCII CHARACTER	DISPLAY ADDRESS
0300	54	T	0438
0301	68	h	0439
0302	69	i	043A
0303	73	s	043B
0304	20	(space)	043C
0305	73	s	043D
0306	68	h	043E
0307	6F	o	043F
0308	77	w	0538
0309	73	s	0539
030A	20	(space)	053A
030B	63	c	053B
030C	75	u	053C
030D	73	s	053D
030E	74	t	053E
030F	6F	o	053F
0310	6D	m	0638
0311	20	(space)	0639
0312	63	c	063A
0313	68	h	063B
0314	61	a	063C
0315	72	r	063D
0316	61	a	063E
0317	63	c	063F
0318	74	t	0738
0319	65	e	0739
031A	72	r	073A
031B	73	s	073B
031C	20	(space)	073C
031D	80	≥	073D
031E	21	!	073E
031F	20	(space)	073F

Figure 12. ASCII Data Stored in Memory for Use by the Display Routine

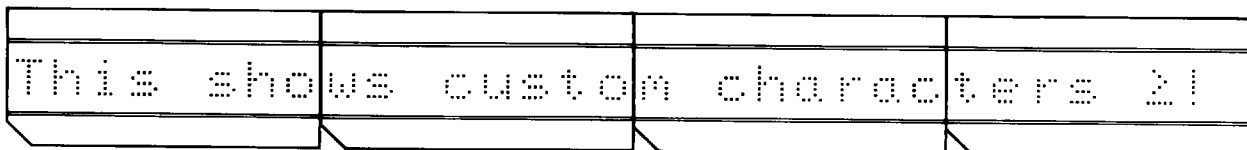


Figure 13. 32 Character Message

6808 DISPLOAD PROGRAM

Figure 14 shows listing of the DISPLOAD program. This program loads the UDC RAMs of four HDSP-211X displays and displays a 32 character message. The UDCLOAD subroutine is executed four times to load the UDC RAMs of all displays. The DISPLAY subroutine is executed four times to load a 32 character message.

The DISPLOAD program is written to load the UDC RAM and display a message. For each display in the system, the UPCLOAD subroutine must be executed once per display to load the UDC RAM. To display a message, the DISPLAY subroutine has to be executed once for each display in the system. The UDC RAM of each display in the system has to be loaded with UDC data before the first DISPLAY subroutine is executed.

8085 HARDWARE INTERFACE

The circuit in Figure 15 shows how to interface an HDSP-211X to an INTEL 8085 microprocessor. The display interfaces directly to the 8085 bus with the addition of a 74LS138 decoder.

The 74LS138 is used to generate individual Chip Enables for each of the HDSP-211X displays. These Chip Enables are created by decoding the higher order address bits (A_8 , A_9 , and A_{10}). Based on the circuit shown in Figure 15, the displays are memory mapped at location 04YYh, 05YYh, 06YYh and 07YYh. Since the address bus is only partly decoded, other address combinations can also access the display.

Figure 2 shows how the six lower order microprocessor address lines are connected to the display. Each display uses 64 memory locations. The display Address inputs must be held stable after the Chip Enable signal goes high. The 8085 multiplexes A_0 - A_7 and D_0 - D_7 on the same bus. A latch is required to isolate A_0 - A_7 from D_0 - D_7 . This latch provides the necessary hold time. The latch outputs corresponding to microprocessor outputs A_0 - A_4 are connected to the same display Address inputs. The output corresponding to A_5 is connected to the display \overline{FL} input.

The 8085 has separate Read and Write lines which are connected directly to the display Read and Write lines. Information is passed on the microprocessor data bus, D₀-D₇, to the display data lines, D₀-D₇, when either the Read or the Write input is held low and the display Chip Enable is held low.

The Reset, Clock I/O and Clock Select lines are used to synchronize systems with multiple displays. The circuit is drawn so that the clock of the first display is the master clock for the other displays. The Reset lines are connected to make a display master reset. The display will be synchronized after the system has been reset by holding the master reset low for at least 300 ns.

LOC	OBJECT CODE	ORG	\$0100		
0100	CE	0420	DISPLOAD LDX	I,DISP0UA	
0103	FF	0250	STX	E,UDCADDR	
0106	CE	0428	LDX	I,DISP0UD	
0109	FF	0255	STX	E,UDCRAMR	
010C	CE	0820	LDX	I,TABLEDOT	
010F	FF	0253	STX	E,UDCDATAT	Load leftmost Display
0112	BD	0200	JSR	E,UDCLOAD	UDC RAM
0115	CE	0520	LDX	I,DISP1UA	
0118	FF	0250	STX	E,UDCADDR	
011B	CE	0528	LDX	I,DISP1UD	
011E	FF	0255	STX	E,UDCRAMR	
0121	CE	0820	LDX	I,TABLEDOT	
0124	FF	0253	STX	E,UDCDATAT	
0127	BD	0200	JSR	E,UDCLOAD	
012A	CE	0620	LDX	I,DISP2UA	
012D	FF	0250	STX	E,UDCADDR	
0130	CE	0628	LDX	I,DISP2UD	
0133	FF	0255	STX	E,UDCRAMR	
0136	CE	0820	LDX	I,TABLEDOT	
0139	FF	0253	STX	E,UDCDATAT	
013C	BD	0200	JSR	E,UDCLOAD	
013F	CE	0720	LDX	I,DISP3UA	
0132	FF	0250	STX	E,UDCADDR	
0135	CE	0728	LDX	I,DISP3UD	
0138	FF	0255	STX	E,UDCRAMR	
013B	CE	8720	LDX	I,TABLEDOT	
013E	FF	0253	STX	E,UDCDATAT	Load rightmost Display
0141	BD	0200	JSR	E,UDCLOAD	UDC RAM
0144	CE	0300	LDX	I,CHAR	
0147	FF	0257	STX	E,TABLECH	
014A	CE	0438	LDX	I,DISP0CH	
014D	FF	0259	STX	E,DISPL	Load leftmost Display
0150	BD	0000	JSR	E,DISPLAY	Character RAM
0153	CE	0300	LDX	I,DISP1CH	
0156	FF	0259	STX	E,DISPL	
0159	BD	0000	JSR	E,DISPLAY	
015C	CE	0638	LDX	I, DISP2CH	
015F	FF	0259	STX	E,DISPL	
0162	BD	0000	JSR	E,DISPLAY	
0165	CE	0738	LDX	I,DISP3CH	
0168	FF	0259	STX	E,DISPL	Load rightmost Display
016B	BD	0000	JSR	E,DISPLAY	Character RAM

Figure 14. Main Program to Call UDCLOAD and DISPLAY Subroutines

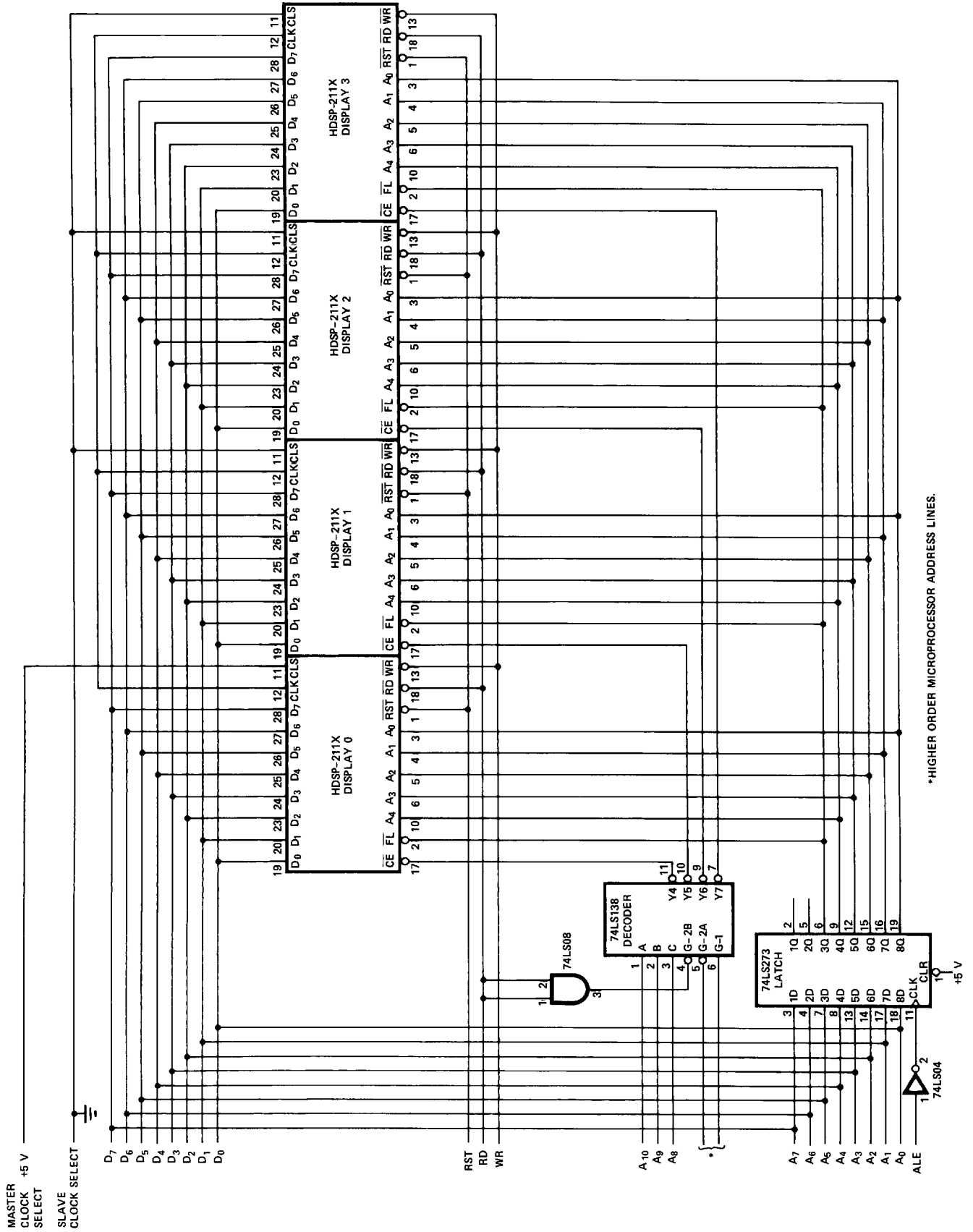


Figure 15. Character Interface to 8085 Microprocessor

4447584 0012115 967

8085 UDCLOAD SUBROUTINE TEMPORARY STORAGE

Three register pairs are used for temporary storage by the UDCLOAD subroutine. The registers are used to store information passed from the main program to the subroutine.

Register pair B&C stores the memory location of the UDC Address register (XX20h) for the UDCLOAD subroutine. The content of register pair B&C will be XX20h when the subroutine finishes execution.

Register pair H&L stores the memory location of the top row of the UDC RAM (XX28h) for the UDCLOAD subroutine. The content of register pair H&L will be XX28h when the subroutine finishes execution.

Register pair D&E stores the location of the first character in TABLEDOT (0820h) for the UDCLOAD subroutine. The content of register pair D&E will be 088Fh when the subroutine finishes execution.

COUNT is used by the UDCLOAD to keep track of which character is being loaded into the UDC RAM. The user does not need to initialize COUNT prior to executing UDCLOAD.

8085 UDCLOAD SUBROUTINE

Figure 16 shows the program listing for the UDCLOAD subroutine. Three pieces of information are passed to the subroutine. They are the memory locations of the UDC

Address register (B&C), the UDC RAM (H&L), and the data (D&E). For a detailed explanation of the UDCLOAD subroutine see the selection labeled 6808 UDCLOAD SUBROUTINE.

8085 DISPLAY SUBROUTINE TEMPORARY MEMORY

Two register pairs are used for temporary storage by the DISPLAY subroutine.

Register pair H&L stores the memory location of the Character RAM (XX38h) for the DISPLAY subroutine. The content of register pair H&L will be XX3Fh after the subroutine finishes execution.

Register pair D&E stores the memory location of the leftmost character of the message (0300h) to be displayed for the DISPLAY subroutine. After the execution of DISPLAY, the value stored in D&E will have been incremented by 8. Thus, for systems consisting of multiple HDPS-211Xs, H&L needs to be initialized only for the leftmost display character.

8085 DISPLAY SUBROUTINE

Figure 17 shows the program listing for the DISPLAY subroutine. Two pieces of information are passed to the subroutine. They are the location of the Character RAM (H&L) and the location of the message (D&E). For a detailed explanation of the DISPLAY subroutine see the section labeled 6808 DISPLAY SUBROUTINE.

LOC	OBJECT	CODE	ORG	\$0200h	
0200	3E	00	UDCLOAD	MVI	\$00
0202	02		NUDC	STAX	B
0203	3C			INR	A
0204	32	0252		STA	COUNT
0207	0A		NROW	LDAX	D
0208	13			INX	D
0209	77			MOV	M,A
020A	23			INX	H
020B	7D			MOV	A,L
020C	3C	07		ADI	\$07
020E	FE	07		CPI	\$07
0210	C2	0702		JNZ	NROW
0213	7D			MOV	A,L
0214	D6	07		SUI	\$07
0216	6F			MOV	L,A
0217	3A	0252		LDA	COUNT
0218	FE	10		CPI	\$10
021A	C2	0202		JNZ	NUDC
021D	C9			RET	

Figure 16. Subroutine to Load the UDC RAM with Custom Symbols

LOC	OBJECT CODE	ORG	\$0100	
0100	06 00 DISPLAY	MVI	B, \$00	
0102	1A NCHAR	LDAX	D	Load Accumulator with character data
0103	77	MOV	M,A	Store data in Character RAM
0104	13	INX	D	Next character data location
0105	23	INX	H	Next character RAM location
0106	04	INR	B	
0107	78	MOV	A,B	
0108	FE 08	CPI	\$08	Last character? No — go to NEXT
010A	C2 0201	JNZ	NCHAR	Yes — return
010D	C9	RET		

Figure 17. Subroutine to Load Character RAM

8085 DISPLOAD PROGRAM

Figure 18 shows listing of the DISPLOAD program. This program loads the UDC RAMs of four HDSP-211X displays and displays a 32 character message. The UDCLOAD subroutine is executed four times to load the UDC RAMs of all displays. The DISPLAY subroutine is executed four times to load a 32 character message.

The DISPLOAD program is written to load the UDC RAM and display a message. For each display in the system, the UDCLOAD subroutine must be executed once per display to load the UDC RAM. To display a message, the DISPLAY subroutine has to be executed once for each display in the system. The UDC RAM of each display in the system has to be loaded with UDC data before the first DISPLAY subroutine is executed.

LOC	OBJECT CODE	ORG	\$0000
0000	01 0420 DISPLOAD	LXI	B,DISP0UA
0003	11 0820	LXI	D,TABLEDOT
0006	21 0428	LXI	H,DISP0UD
0009	CC 0200	CALL	UDCLOAD
000C	01 0520	LXI	B,DISP1UA
000F	11 0820	LXI	D,TABLEDOT
0012	21 0528	LXI	H,DISP1UD
0015	CC 0200	CALL	UDCLOAD
0018	01 0620	LXI	B,DISP2UA
001B	11 0820	LXI	D,TABLEDOT
001E	21 0628	LXI	H,DISP2UD
0021	CC 0200	CALL	UDCLOAD
0024	01 0720	LXI	B,DISP3UA
0027	11 0820	LXI	D,TABLEDOT
002A	21 0728	LXI	H,DISP3UD
002D	CC 0200	CALL	UDCLOAD
0030	11 0300	LXI	D,CHAR
0033	21 0438	LXI	H,DISP0CH
0036	CC 0100	CALL	DISPLAY
0039	21 0538	LXI	H,DISP1CH
003C	CC 0100	CALL	DISPLAY
003F	21 0638	LXI	H,DISP2CH
0042	CC 0100	CALL	DISPLAY
0045	21 0738	LXI	H,DISP3CH
0048	CC 0100	CALL	DISPLAY

Figure 18. Main Program to Call UDCLOAD and DISPLAY Subroutines