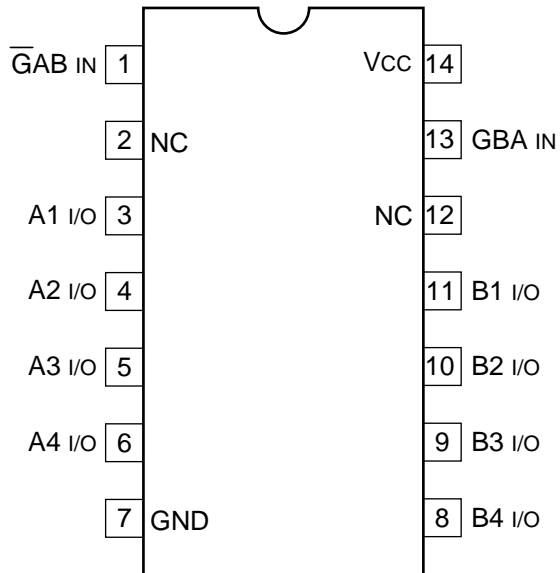


TTL BUS TRANSCEIVERS WITH 3-STATE OUTPUT  
—TOP VIEW—



$\overline{\text{GAB}}$	GBA	OPERATION
0	0	A to B
0	1	DON'T USE
1	0	HI-Z
1	1	B to A

0 : LOW LEVEL  
1 : HIGH LEVEL  
HI-Z : HIGH IMPEDANCE

