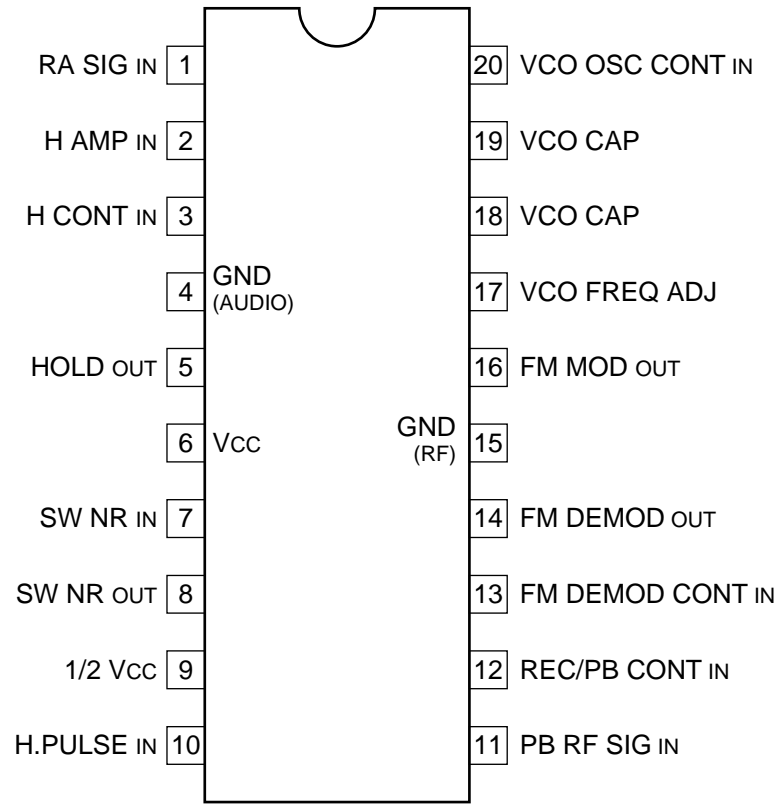


VTR, FM AUDIO MODULATOR AND DEMODULATOR

—TOP VIEW—



INPUT

FM DEMOD CONT : FM DEMODULATION CONTROL
 H AMP : HOLD AMP
 H CONT : HOLD CONTROL
 H PULSE : HOLD PULSE
 PB RF SIG : PB RF SIGNAL
 RA SIG : REC AUDIO SIGNAL
 REC/PB CONT : REC/PB CONTROL
 VCO FREQ ADJ : VCO FREQUENCY ADJUSTMENT
 VCO OSC CONT : VCO OSCILLATION CONTROL

OUTPUT

FM DEMOD : FM DEMODULATION
 FM MOD : FM MODULATION

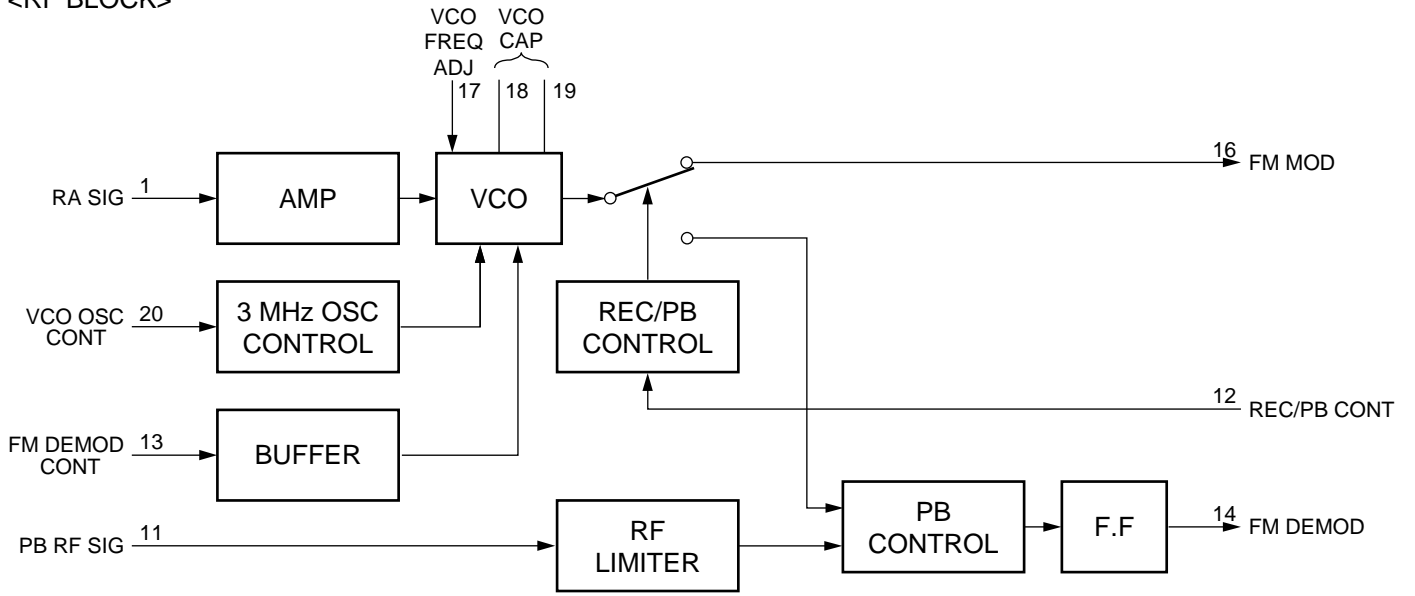
INPUT/OUTPUT

SW NR : SWITCH NOISE REDUCTION

OTHERS

VCO CAP : VCO CAPACITOR

<RF BLOCK>



<AUDIO BLOCK>

