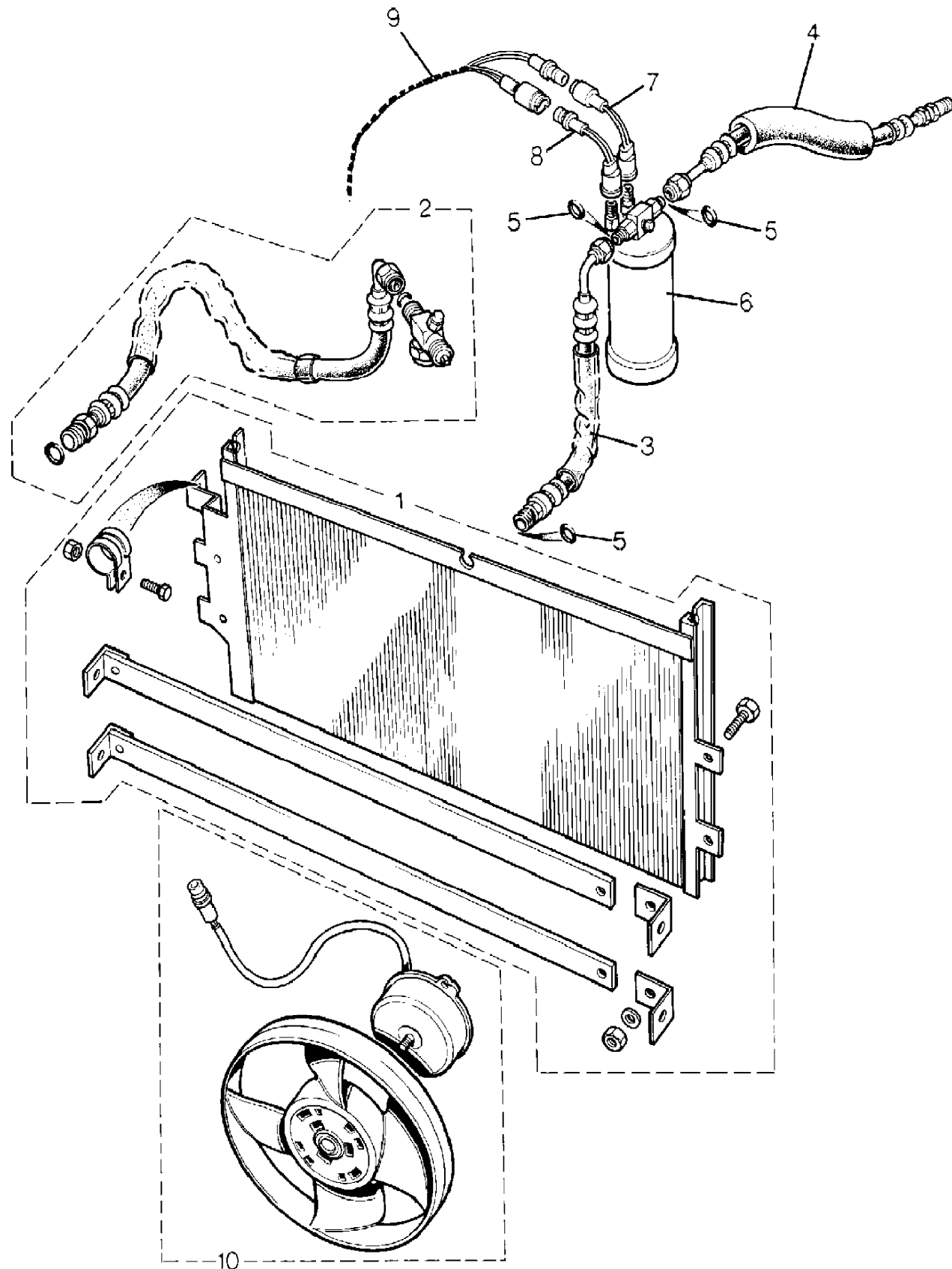


Range Rover (To HA610293)

(TS6802)



Range Rover (To HA610293)

Change point - VIN begin GA399973, With Air Conditioning

Callout	Name	Application	Remarks & Restrictions	Service No.	Qty
1	Condenser air conditioning	Change point - VIN begin GA399973, With Petrol Engines		MXC7252	1
		Change point - VIN begin GA399973, With Diesel Engines		MXC7253	1
2	Hose-compressor/condenser air conditioning	Change point - VIN begin GA399973, With Petrol Engines		MXC7254	1
		Change point - VIN begin GA399973, With Diesel Engines		MXC7255	1
3	Hose-condenser/receiver dryer air conditioning	Change point - VIN begin GA399973		MUC6642	1
4	Hose-receiver dryer/evaporator air conditioning	Change point - VIN begin GA399973, With Petrol Engines, RHD		MXC7256	1
		Change point - VIN begin GA399973, With Petrol Engines, LHD		MXC7257	1
		Change point - VIN begin GA399973, With Diesel Engines		MXC7257	1
5	O Ring	Change point - VIN begin GA399973	13/32"	AEU1627	3
6	Receiver dryer assembly R134a-air conditioning	Change point - VIN begin GA399973, With Petrol Engines		MXC7258	1
		Change point - VIN begin GA399973, With Diesel Engines		MXC7259	1
7	Switch-pressure air conditioning control	Change point - VIN begin GA399973	High Pressure	MXC7260	1
8	Switch-pressure air conditioning control	Change point - VIN begin GA399973	Low Pressure	MXC7261	1
9	Harness-link	Change point - VIN begin GA399973		MXC7262	1
10	Motor assembly blower-air conditioning	Change point - VIN begin GA399973		RTC6746	2
[900]	Bracket Condenser	Change point - VIN begin GA399973	Upper	MUC6542	1
		Change point - VIN begin GA399973	Lower	MUC6543	1

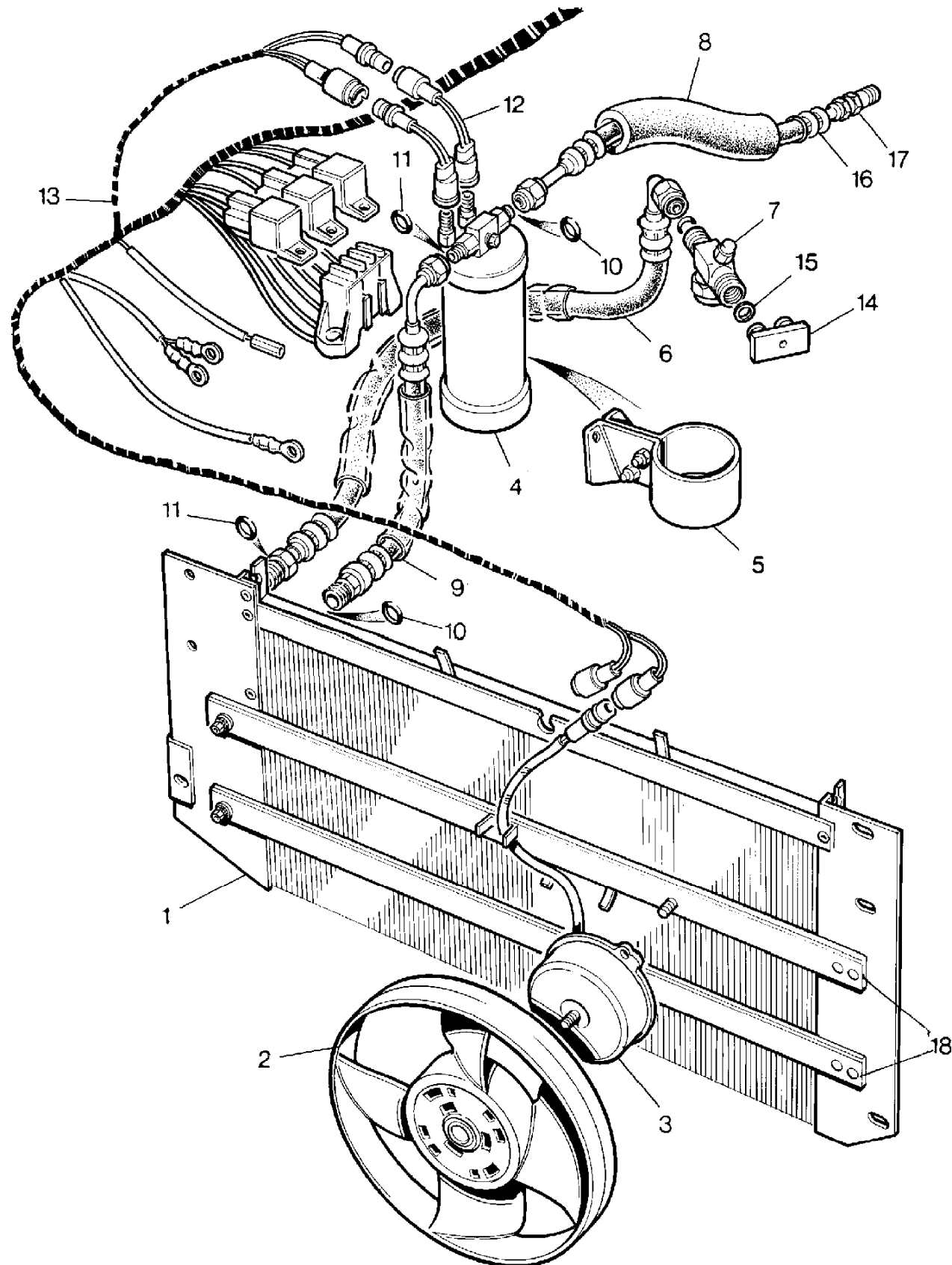
Range Rover (To HA610293)

(TS5093A)

Range Rover (To HA610293)

Change point - VIN end FA399972, With Air Conditioning

Callout	Name	Application	Remarks & Restrictions	Service No.	Qty
1	Condenser air conditioning	Change point - VIN end GA399972, With Petrol Engines		MUC6540	1
		Change point - VIN end GA399972, With Diesel Engines		MXC7252	1
2	Fan-cooling	Change point - VIN end GA399972		AEU3071	1
3	Motor-cooling system fan	Change point - VIN end GA399972		AEU3070	2
4	Receiver dryer assembly R134a-air conditioning	Change point - VIN end GA399972		AEU1220	1
5	Clip	Change point - VIN end GA399972		AEU1221	1
6	Hose-compressor/condenser air conditioning	Change point - VIN end GA399972, With Petrol Engines		MXC5310	1
		Change point - VIN end GA399972, With Diesel Engines		MUC6643	1
7	Valve-charging air conditioning	Change point - VIN end GA399972		AEU3067	1
8	Hose-condenser/receiver dryer air conditioning	Change point - VIN end GA399972		AEU3065	1
9	Hose-condenser/receiver dryer air conditioning	Change point - VIN end GA399972, With Petrol Engines		AEU3064	1
		Change point - VIN end GA399972, With Diesel Engines		MUC6642	1
10	O Ring	Change point - VIN end GA399972	13/32"	AEU1627	2
11	O Ring	Change point - VIN end GA399972	5/16"	AEU1626	2
12	Switch-pressure air conditioning control	Change point - VIN end GA399972	high pressure.	AEU3068	1
		Change point - VIN end GA399972	low pressure.	AEU3069	1
13	Harness air conditioning	Change point - VIN end GA399972, RHD		AEU3075	1
		Change point - VIN end GA399972, LHD		AEU3072	1



Cooling & Heating
Air Conditioning
Condenser 2/2

Range Rover (To HA610293)

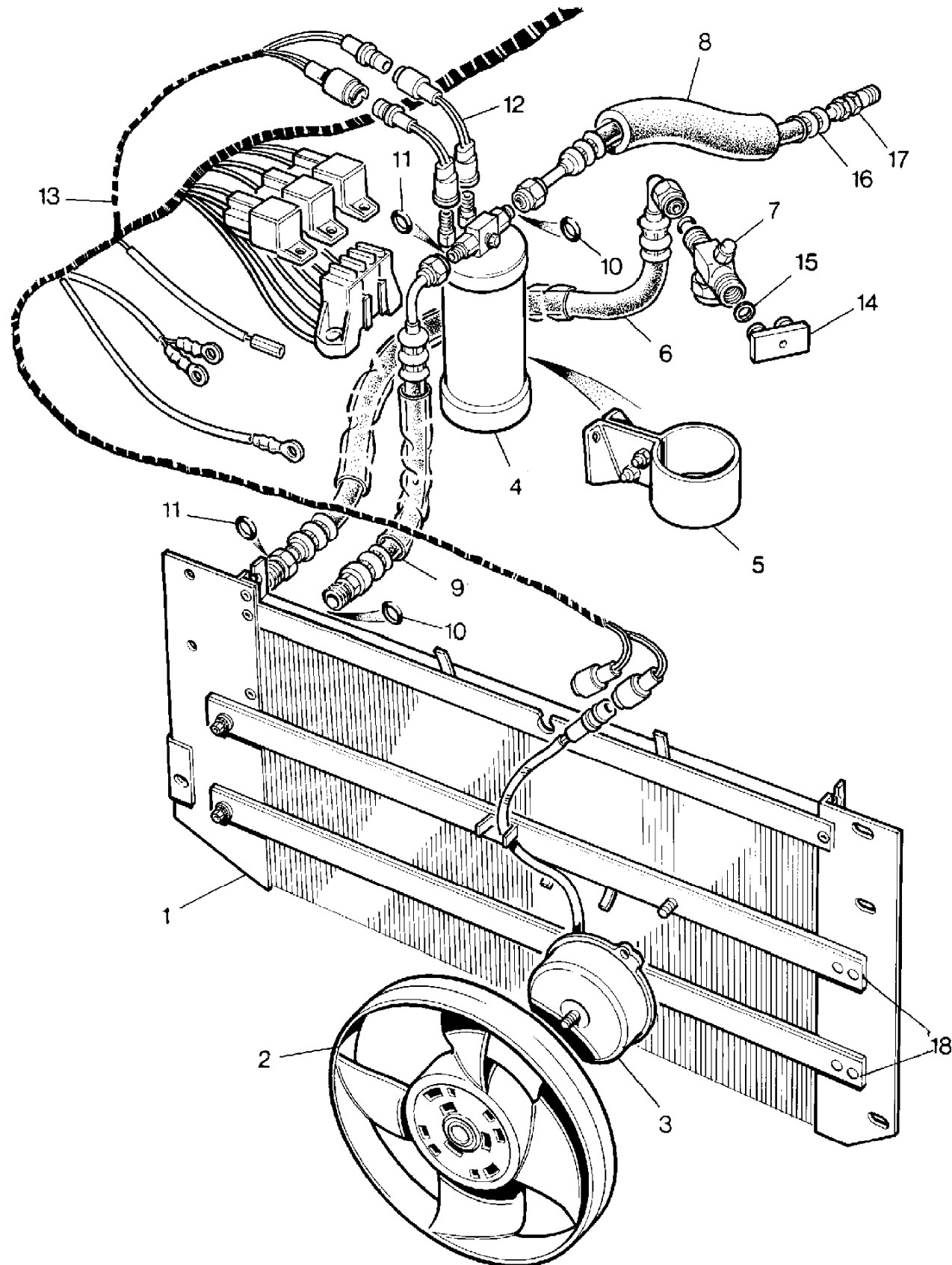
(TS5093A)

Range Rover (To HA610293)

Cooling & Heating
Air Conditioning
Condenser

Change point - VIN end FA399972, With Air Conditioning

Callout	Name	Application	Remarks & Restrictions	Service No.	Qty
14	Adaptor-air conditioning compressor hose	Change point - VIN end GA399972		MUC4358	1
15	O Ring	Change point - VIN end GA399972		RTC7452	2
16	O Ring	Change point - VIN end GA399972		AEU3056	1
17	Adaptor-pipe-dual male	Change point - VIN end GA399972		RTC5905	1
18	Bracket Condenser	Change point - VIN end GA399972 Change point - VIN end GA399972	Upper Lower	MUC6542 MUC6543	1 1



Cooling & Heating
Air Conditioning
Evaporator & Blower Motor 1/2

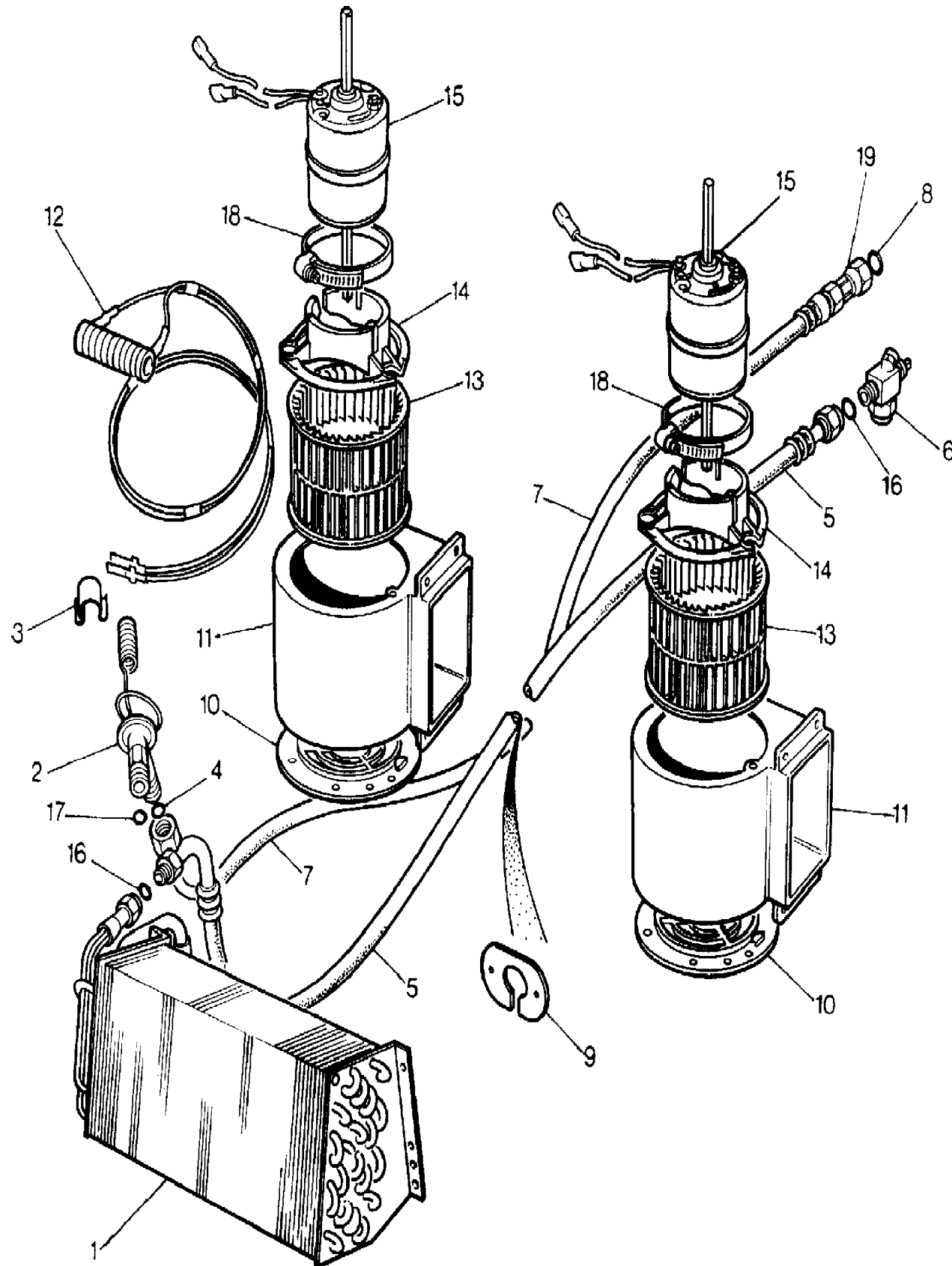
Range Rover (To HA610293)

(TS6521)

Range Rover (To HA610293)

Cooling & Heating
Air Conditioning
Evaporator & Blower Motor

Change point - VIN begin FA351847, Change point - VIN end GA399972, With Air Conditioning



Callout	Name	Application	Remarks & Restrictions	Service No.	Qty
1	Evaporator assembly-air conditioning	Change point - VIN begin FA351847, Change point - VIN end GA399972, RHD Change point - VIN begin FA351847, Change point - VIN end GA399972, LHD		RTC6138 RTC6139	1 1
2	Valve-expansion evaporator-air conditioning	Change point - VIN begin FA351847, Change point - VIN end GA399972		RTC6143	1
3	Clamp	Change point - VIN begin FA351847, Change point - VIN end GA399972		AEU1214	1
4	O Ring	Change point - VIN begin FA351847, Change point - VIN end GA399972	13/32"	AEU1627	1
5	Hose-evapr/compressor air conditioning	Change point - VIN begin FA351847, Change point - VIN end GA399972, With Petrol Engines, RHD Change point - VIN begin FA351847, Change point - VIN end GA399972, With Petrol Engines, LHD Change point - VIN begin FA351847, Change point - VIN end GA399972, With Diesel Engines, RHD Change point - VIN begin FA351847, Change point - VIN end GA399972, With Diesel Engines, LHD		MXC5309 MXC5308 RTC6153 RTC6154	1 1 1 1
6	Valve-suction air conditioning compressor	Change point - VIN begin FA351847, Change point - VIN end GA399972		AEU3055	1
7	Hose-receiver dryer/evaporator air conditioning	Change point - VIN begin FA351847, Change point - VIN end GA399972, With Petrol Engines, RHD Change point - VIN begin FA351847, Change point - VIN end GA399972, With Petrol Engines, LHD Change point - VIN begin FA351847, Change point - VIN end GA399972, With Diesel Engines, RHD Change point - VIN begin FA351847, Change point - VIN end GA399972, With Diesel Engines, LHD		RTC6146 RTC6147 RTC6155 RTC6156	1 1 1 1
8	O Ring	Change point - VIN begin FA351847, Change point - VIN end GA399972	5/16"	AEU1626	1

Cooling & Heating
Air Conditioning
Evaporator & Blower Motor 2/2

Range Rover (To HA610293)

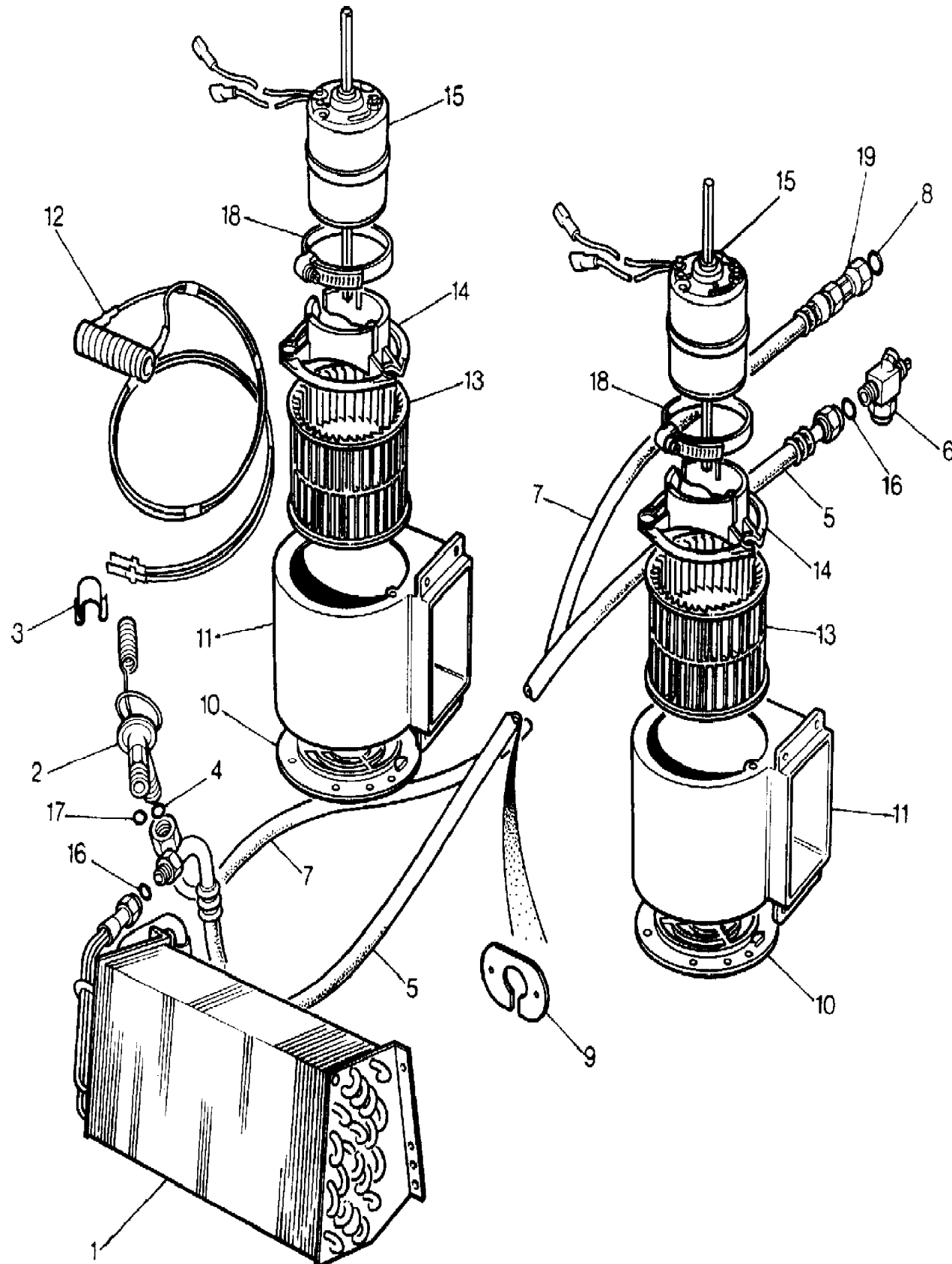
(TS6521)

Range Rover (To HA610293)

Cooling & Heating
Air Conditioning
Evaporator & Blower Motor

Change point - VIN begin FA351847, Change point - VIN end GA399972, With Air Conditioning

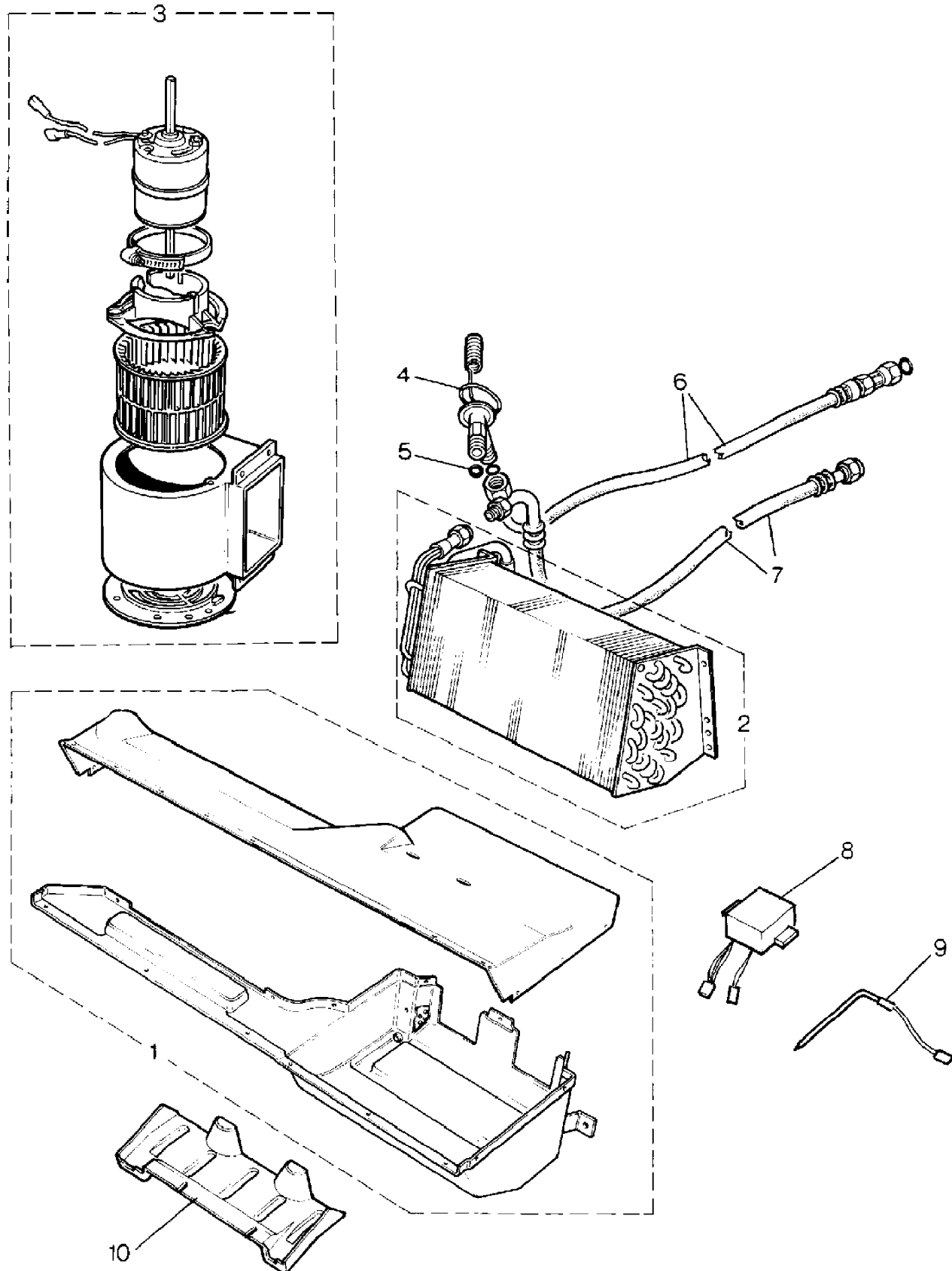
Callout	Name	Application	Remarks & Restrictions	Service No.	Qty
10	Ring-motor blower-heater	Change point - VIN begin FA351847, Change point - VIN end GA399972		RTC4432	2
11	Blower assembly-air conditioning	Change point - VIN begin FA351847, Change point - VIN end GA399972		AEU1746	2
12	Resistor Assy	Change point - VIN begin FA351847, Change point - VIN end GA399972		MXC4961	1
13	Wheel blower	Change point - VIN begin FA351847, Change point - VIN end GA399972		AEU1224	2
14	Bracket	Change point - VIN begin FA351847, Change point - VIN end GA399972		AEU3048	2
15	Motor assembly blower-air conditioning	Change point - VIN begin FA351847, Change point - VIN end GA399972		RTC6142	2
16	O Ring	Change point - VIN begin FA351847, Change point - VIN end GA399972	No 10, 1/2" diameter	AEU1628	2
17	O Ring	Change point - VIN begin FA351847, Change point - VIN end GA399972		AEU3056	1
18	Clamp	Change point - VIN begin FA351847, Change point - VIN end GA399972		RTC7470	2
19	Coupling	Change point - VIN begin FA351847, Change point - VIN end GA399972	Small	MTC8500	1



Cooling & Heating
Air Conditioning
Evaporator & Blower Motor 1/1

Range Rover (To HA610293)

(TS6803)



Range Rover (To HA610293)

Cooling & Heating
Air Conditioning
Evaporator & Blower Motor

Change point - VIN begin GA399973, With Air Conditioning

Callout	Name	Application	Remarks & Restrictions	Service No.	Qty
1	Case-evaporator	Change point - VIN begin GA399973, RHD	top, bottom	MXC7234RUN	1
		Change point - VIN begin GA399973, LHD	top, bottom	MXC7233RUN	1
2	Evaporator assembly-air conditioning	Change point - VIN begin GA399973, RHD		RTC6138	1
		Change point - VIN begin GA399973, LHD		RTC6139	1
3	Blower assembly-air conditioning	Change point - VIN begin GA399973, RHD		RTC6744	2
		Change point - VIN begin GA399973, LHD		RTC6745	2
4	Valve-expansion evaporator-air conditioning	Change point - VIN begin GA399973		RTC6143	1
5	O Ring	Change point - VIN begin GA399973	13/32"	AEU1627	1
6	Hose-condenser/evaporator air conditioning	Change point - VIN begin GA399973, With Petrol Engines, LHD	Also serviced as part of a kit	BTR2579	1
		Change point - VIN begin GA399973, With Petrol Engines, RHD		MXC7238	1
		Change point - VIN begin GA399973, With Diesel Engines, LHD		MXC7239	1
		Change point - VIN begin GA399973, With Diesel Engines, RHD		MXC7240	1
		Change point - VIN begin GA399973, With Diesel Engines, RHD		MXC7240	1
7	Hose-receiver dryer/evaporator air conditioning	Change point - VIN begin GA399973, With Petrol Engines, LHD		RTC6147	1
		Change point - VIN begin GA399973, With Diesel Engines, RHD		RTC6147	1
		Change point - VIN begin GA399973, With Petrol Engines, RHD		MXC7242	1
		Change point - VIN begin GA399973, With Diesel Engines, LHD	Also serviced as part of a kit	MXC7241	1
		Change point - VIN begin GA399973, With Diesel Engines, LHD		MXC7241	1
8	Thermostat evaporator-air conditioning	Change point - VIN begin GA399973		MXC5706	1
9	Sensor-thermostat air conditioning	Change point - VIN begin GA399973		MXC5707	1
10	Panel closing	Change point - VIN begin GA399973	RH	MXC7032	1
		Change point - VIN begin GA399973	LH	MXC7159	1

Cooling & Heating
Air Conditioning
Evaporator & Blower Motor 1/2

Range Rover (To HA610293)

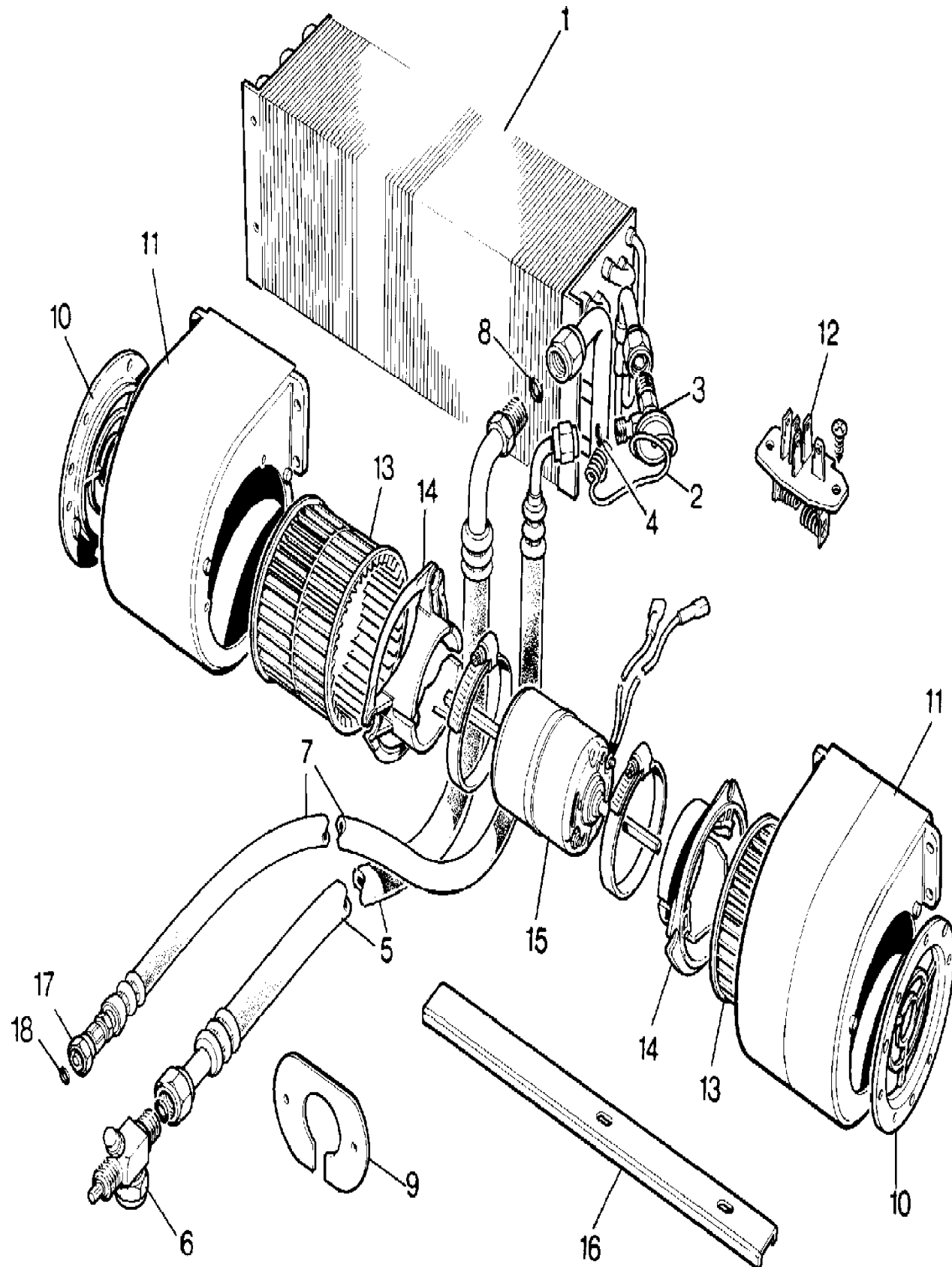
(TS5094A)

Range Rover (To HA610293)

Cooling & Heating
Air Conditioning
Evaporator & Blower Motor

Change point - VIN end EA351846, With Air Conditioning

Callout	Name	Application	Remarks & Restrictions	Service No.	Qty
1	Evaporator air conditioning	Change point - VIN end EA351846, RHD Change point - VIN end EA351846, LHD		AEU1457 AEU1215	1 1
2	Valve-expansion evaporator-air conditioning	Change point - VIN end EA351846		AEU1213	1
3	Clamp	Change point - VIN end EA351846		AEU1214	1
4	O Ring	Change point - VIN end EA351846		AEU3056	1
5	Hose-evapr/compressor air conditioning	Change point - VIN end EA351846, With Petrol Engines, RHD Change point - VIN end EA351846, With Petrol Engines, LHD Change point - VIN end EA351846, With Diesel Engines, RHD Change point - VIN end EA351846, With Diesel Engines, LHD		MUC6544 AEU3054 RTC6153 RTC6154	1 1 1 1
6	Valve-suction air conditioning compressor	Change point - VIN end EA351846		AEU3055	1
7	Hose-receiver dryer/evaporator air conditioning	Change point - VIN end EA351846, With Petrol Engines, RHD Change point - VIN end EA351846, With Petrol Engines, LHD Change point - VIN end EA351846, With Diesel Engines, RHD Change point - VIN end EA351846, With Diesel Engines, LHD		AEU3059 AEU3044 RTC6155 RTC6156	1 1 1 1
8	O Ring	Change point - VIN end EA351846	No 10, 1/2" diameter	AEU1628	2
9	Bracket	Change point - VIN end EA351846		AEU1218	1
10	Ring-motor blower-heater	Change point - VIN end EA351846		RTC4432	2
11	Blower assembly-air conditioning	Change point - VIN end EA351846		AEU1746	2
12	Resistor Assy	Change point - VIN end EA351846		AEU1747	1



Cooling & Heating
Air Conditioning
Evaporator & Blower Motor 2/2

Range Rover (To HA610293)

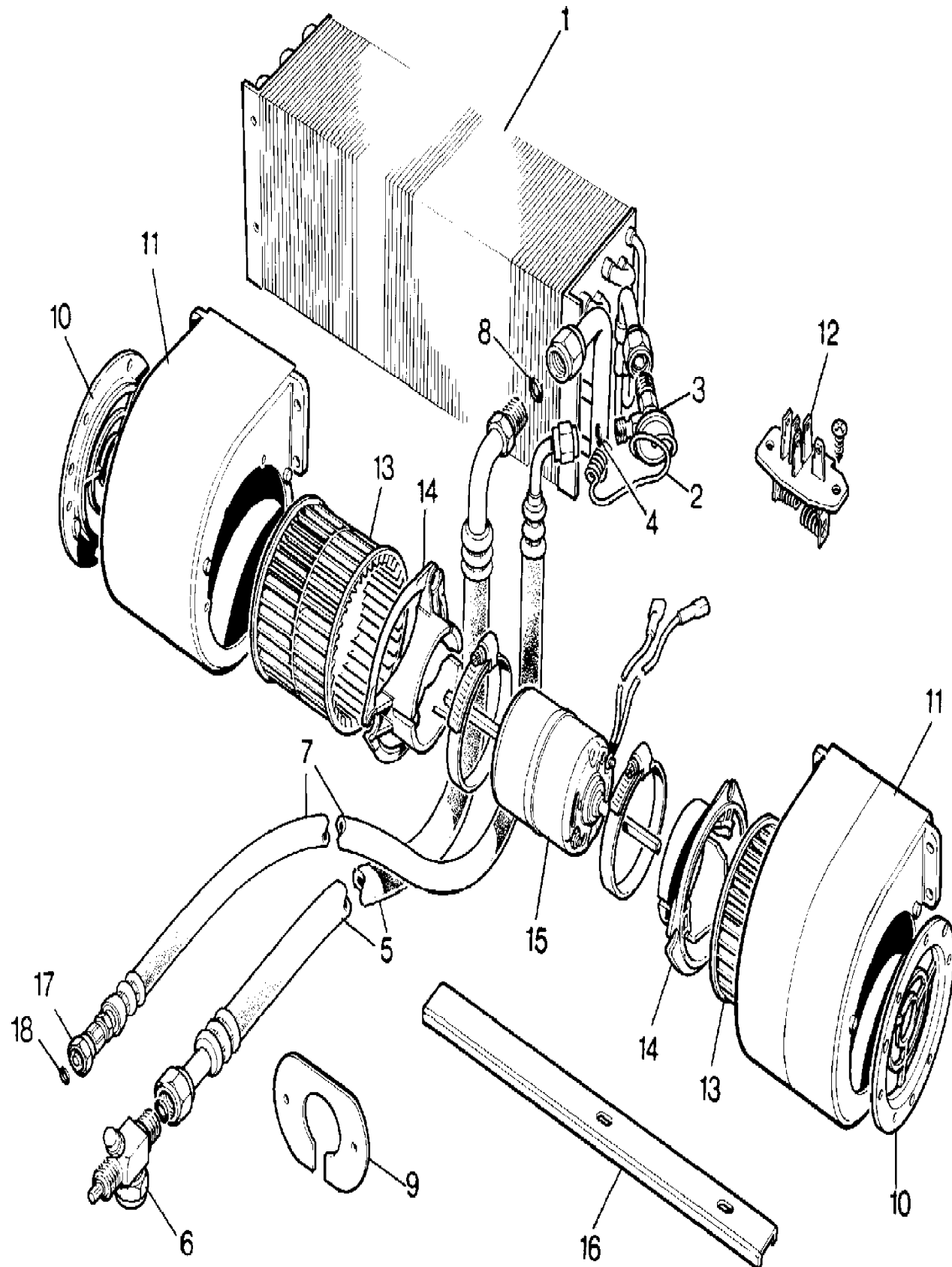
(TS5094A)

Range Rover (To HA610293)

Cooling & Heating
Air Conditioning
Evaporator & Blower Motor

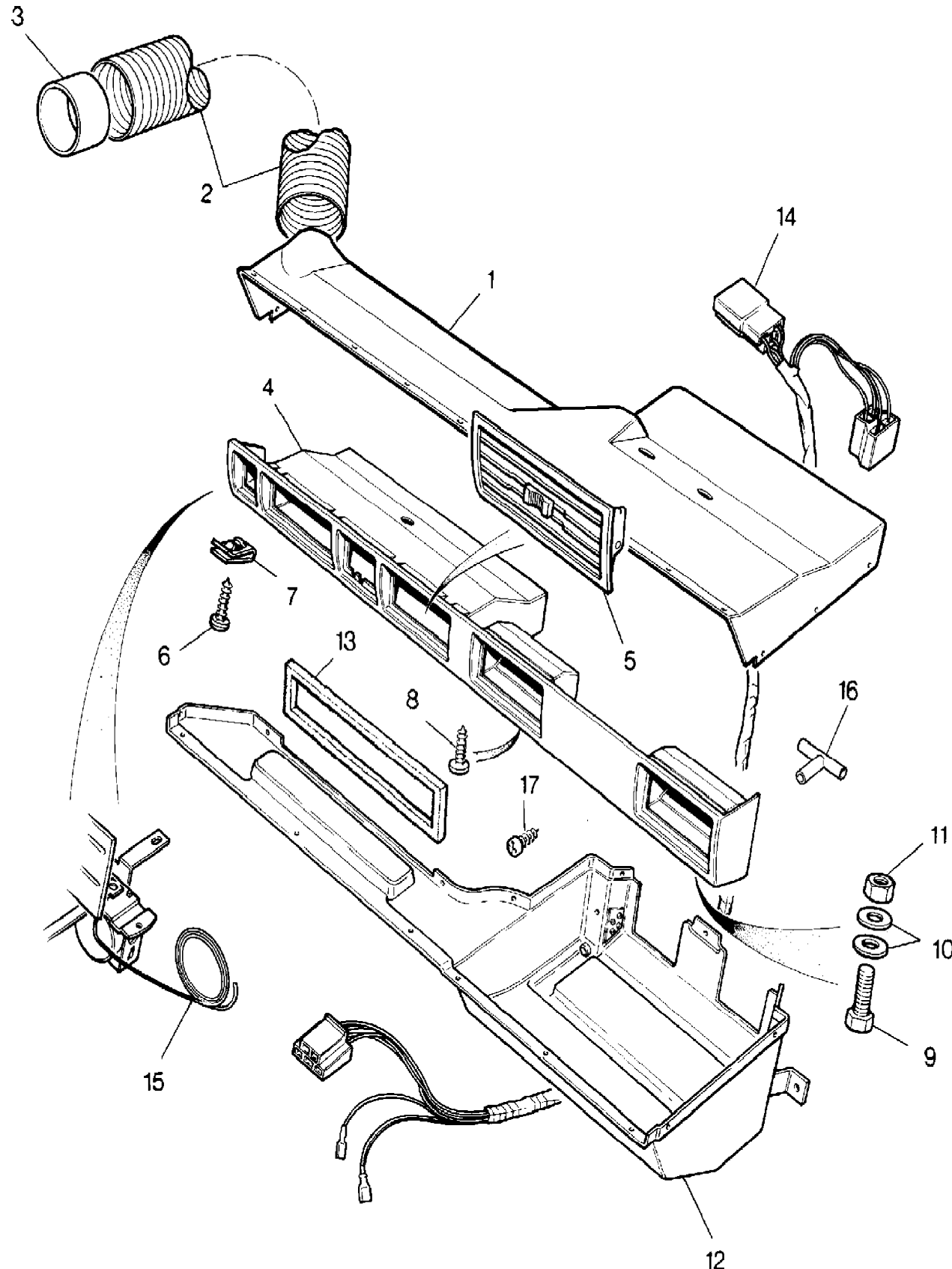
Change point - VIN end EA351846, With Air Conditioning

Callout	Name	Application	Remarks & Restrictions	Service No.	Qty
13	Wheel blower	Change point - VIN end EA351846		AEU1224	2
14	Bracket	Change point - VIN end EA351846		AEU3048	2
15	Motor assembly blower-air conditioning	Change point - VIN end EA351846		AEU1225	1
16	Bracket	Change point - VIN end EA351846		AEU1454	1
17	Coupling	Change point - VIN end EA351846	Small	MTC8500	1
18	O Ring	Change point - VIN end EA351846	5/16"	AEU1626	1



With Air Conditioning

Callout	Name	Application	Remarks & Restrictions	Service No.	Qty
1	Facia assembly	Change point - VIN begin DA273923, Change point - VIN end EA351846, RHD		MUC9793	1
		Change point - VIN begin DA273923, Change point - VIN end EA351846, LHD		MUC9794	1
2	Hose-Wireform	Change point - VIN begin DA273923, Change point - VIN end EA351846		MUC8842	1
3	Adaptor-air conditioning compressor hose	Change point - VIN begin DA273923, Change point - VIN end EA351846		AEU3057	1
4	Bezel facia-rail	Change point - VIN begin DA273923, Change point - VIN end EA351846, RHD		MUC5922	1
		Change point - VIN begin DA273923, Change point - VIN end EA351846, LHD		MUC5923	1
5	Housing-facia vent louvre	Change point - VIN begin DA273923, Change point - VIN end EA351846		MXC5572	4
6	Screw	Change point - VIN begin DA273923, Change point - VIN end EA351846	No 8 x 3/4	AFU3002	4
7	Nut-spiralok	Change point - VIN begin DA273923, Change point - VIN end EA351846		AK608041L	4
8	Screw	Change point - VIN begin DA273923, Change point - VIN end EA351846	Self Tapping, No10 x 3/4	AB610061L	4
9	Screw	Change point - VIN begin DA273923, Change point - VIN end EA351846	hexagonal head, M4 x 20	SH104201L	1
10	Washer-Plain	Change point - VIN begin DA273923, Change point - VIN end EA351846	M4	WA104001L	10
11	Nut-hexagonal	Change point - VIN begin DA273923, Change point - VIN end EA351846	M4	NH104041L	5
12	Facia assembly-lower	Change point - VIN begin DA273923, Change point - VIN end EA351846, RHD		MUC9785	1
		Change point - VIN begin DA273923, Change point - VIN end EA351846, LHD		MUC9786	1



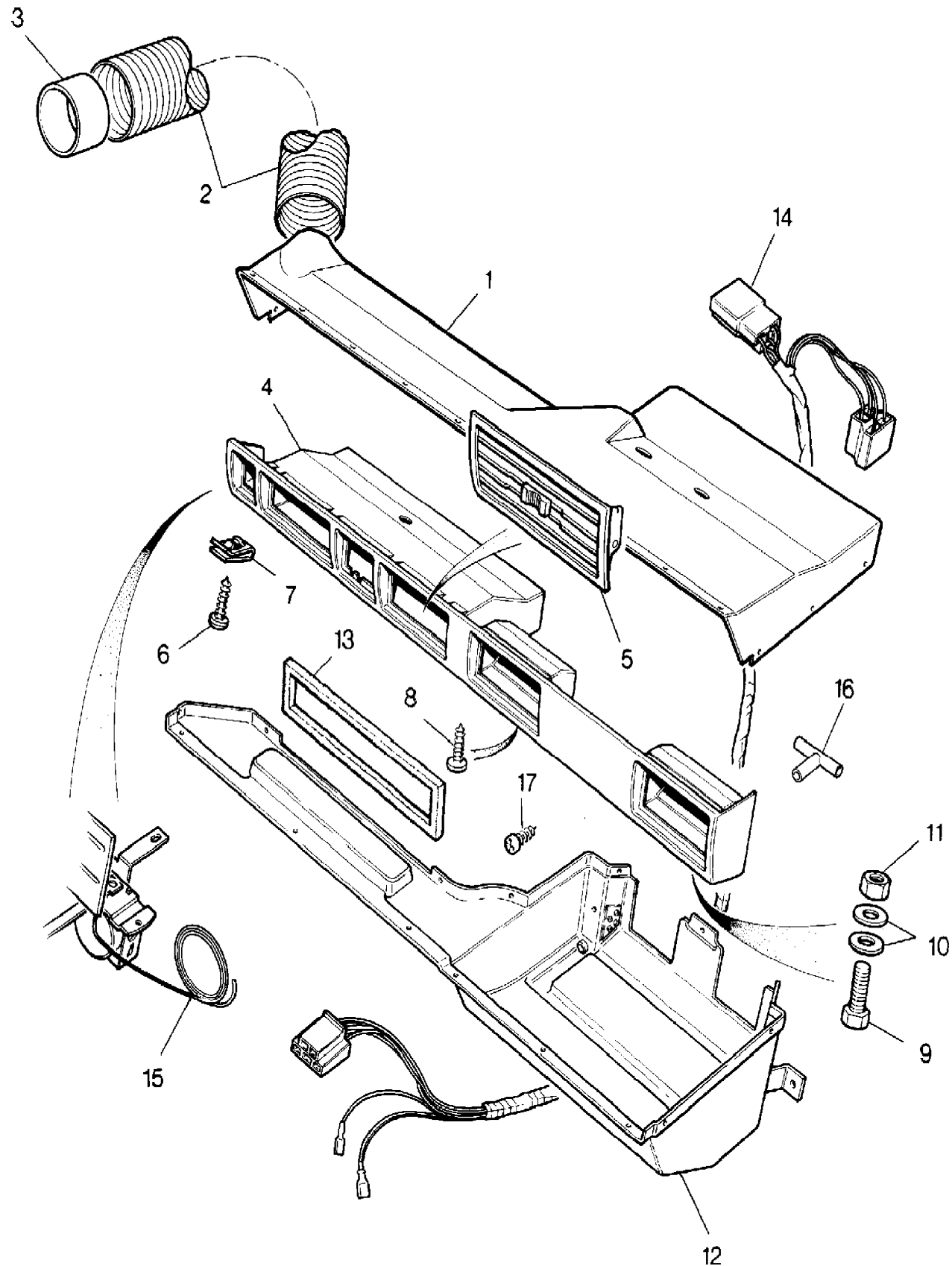
Range Rover (To HA610293)

(TS6233A)

Range Rover (To HA610293)

With Air Conditioning

Callout	Name	Application	Remarks & Restrictions	Service No.	Qty
13	Foam	Change point - VIN begin DA273923, Change point - VIN end EA351846		AEU1404	1
14	Harness blower-air conditioning	Change point - VIN begin DA273923, Change point - VIN end EA351846		RTC7407	1
15	Thermostat & hose assembly	Change point - VIN begin DA273923, Change point - VIN end EA351846		MWC1339	1
16	T Piece	Change point - VIN begin DA273923, Change point - VIN end EA351846		AEU1403	1
17	Screw-self tapping B	Change point - VIN begin DA273923, Change point - VIN end EA351846	No 12 x 1/2	AB612044	6



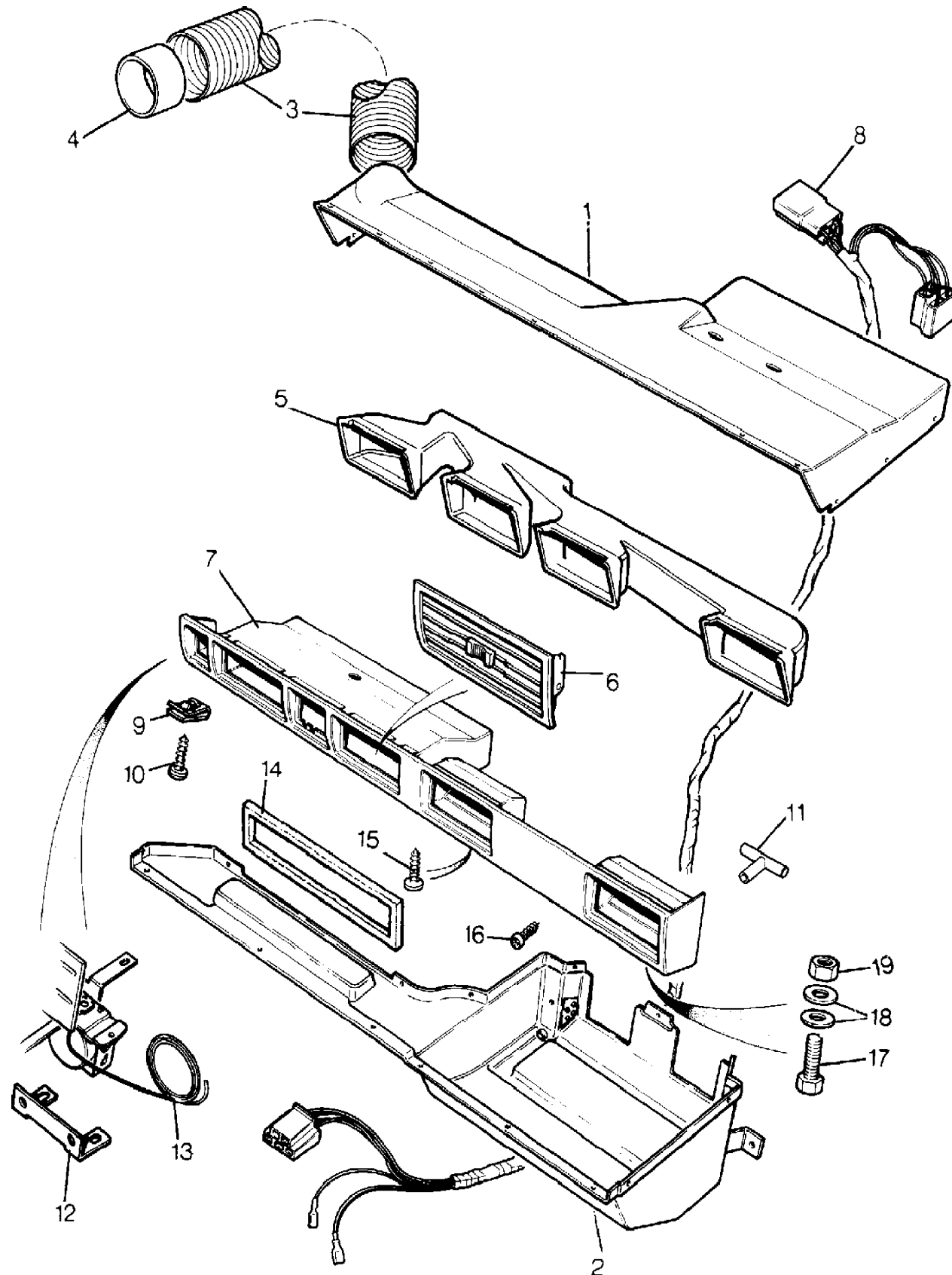
Range Rover (To HA610293)

(TS6542A)

Range Rover (To HA610293)

Change point - VIN begin FA351847, Change point - VIN end GA399972, With Air Conditioning

Callout	Name	Application	Remarks & Restrictions	Service No.	Qty
1	Facia assembly	Change point - VIN begin FA351847, Change point - VIN end GA399972, RHD Change point - VIN begin FA351847, Change point - VIN end GA399972, LHD	Bokhara	MXC3087RUN	1
			Bokhara	MXC3092RUN	1
2	Facia assembly-lower	Change point - VIN begin FA351847, Change point - VIN end GA399972, RHD Change point - VIN begin FA351847, Change point - VIN end GA399972, LHD	Bokhara	MXC3090RUN	1
			Bokhara	MXC3095RUN	1
3	Hose-Wireform	Change point - VIN begin FA351847, Change point - VIN end GA399972		MUC8842	1
4	Adaptor-air conditioning compressor hose	Change point - VIN begin FA351847, Change point - VIN end GA399972		AEU3057	1
5	Duct-hot air induction system	Change point - VIN begin FA351847, Change point - VIN end GA399972, RHD Change point - VIN begin FA351847, Change point - VIN end GA399972, LHD		MXC3874	1
				MXC3875	1
6	Housing-facia vent louvre	Change point - VIN begin FA351847, Change point - VIN end GA399972		MXC5572	4
7	Facia rail assembly	Change point - VIN begin FA351847, Change point - VIN end GA399972, RHD Change point - VIN begin FA351847, Change point - VIN end GA399972, LHD Change point - VIN begin FA351847, Change point - VIN end GA399972, LHD, Vogue SE Change point - VIN begin FA351847, Change point - VIN end GA399972, RHD, Vogue SE	Bokhara	MXC3140RUN	1
			Bokhara	MXC3139RUN	1
			Burr Walnut	MXC2324	1
			Burr Walnut	MXC2325	1
8	Harness blower-air conditioning	Change point - VIN begin FA351847, Change point - VIN end GA399972		RTC7407	1
9	Nut-spiralok	Change point - VIN begin FA351847, Change point - VIN end GA399972		AK608041L	4
10	Screw	Change point - VIN begin FA351847, Change point - VIN end GA399972	No 8 x 3/4	AFU3002	4



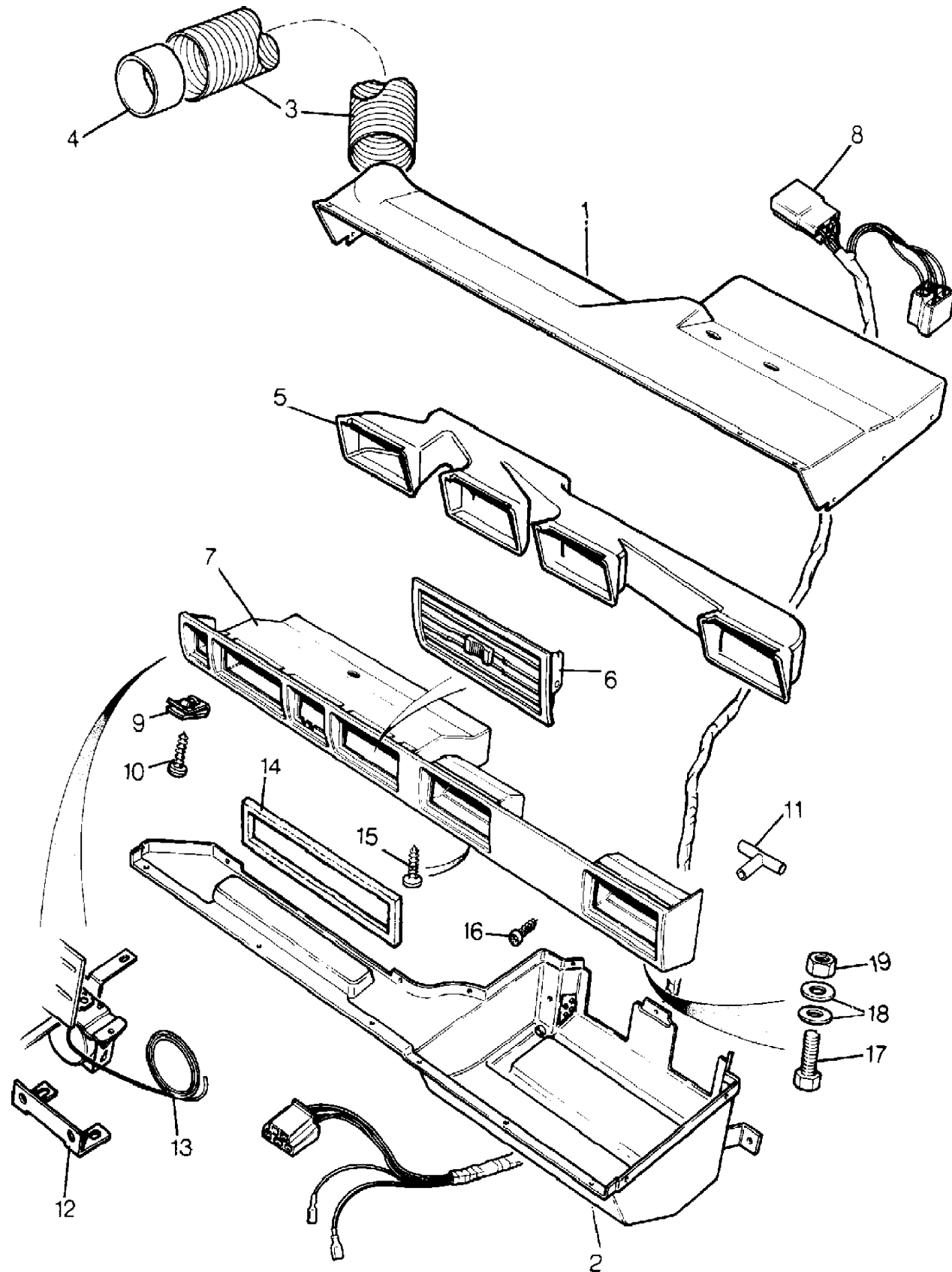
Range Rover (To HA610293)

(TS6542A)

Range Rover (To HA610293)

Change point - VIN begin FA351847, Change point - VIN end GA399972, With Air Conditioning

Callout	Name	Application	Remarks & Restrictions	Service No.	Qty
11	T Piece	Change point - VIN begin FA351847, Change point - VIN end GA399972		AEU1403	1
12	Bracket-thermostat assembly mounting	Change point - VIN begin FA351847, Change point - VIN end GA399972		AEU1207	1
13	Thermostat & hose assembly	Change point - VIN begin FA351847, Change point - VIN end GA399972		RTC6149	1
14	Foam	Change point - VIN begin FA351847, Change point - VIN end GA399972		AEU1404	1
15	Screw	Change point - VIN begin FA351847, Change point - VIN end GA399972	Self Tapping, No10 x 3/4	AB610061L	4
16	Screw-self tapping B	Change point - VIN begin FA351847, Change point - VIN end GA399972	No 12 x 1/2	AB612044	6
17	Screw	Change point - VIN begin FA351847, Change point - VIN end FA399972	hexagonal head, M4 x 20	SH104201L	1
18	Washer-Plain	Change point - VIN begin FA351847, Change point - VIN end GA399972	M4	WA104001L	10
19	Nut-hexagonal	Change point - VIN begin FA351847, Change point - VIN end GA399972	M4	NH104041L	5



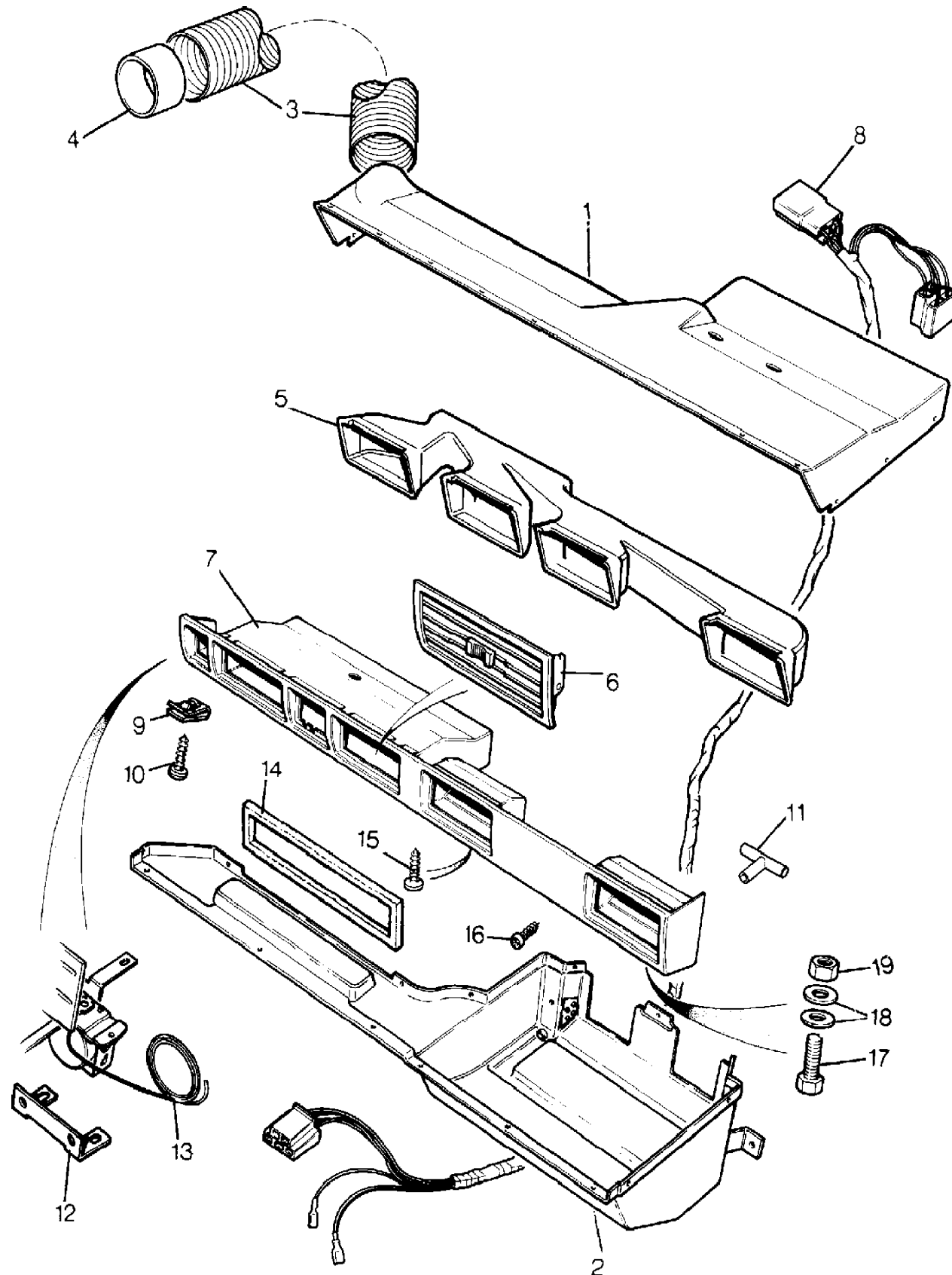
Range Rover (To HA610293)

(TS6542A)

Range Rover (To HA610293)

Change point - VIN begin GA399973, With Air Conditioning

Callout	Name	Application	Remarks & Restrictions	Service No.	Qty
1	Bezel facia-rail	Change point - VIN begin GA399973, RHD	Bokhara	MXC7158RUN	1
		Change point - VIN begin GA399973, LHD	Bokhara	MXC7157RUN	1
		Change point - VIN begin GA399973, LHD, Vogue SE	Burr Walnut	MXC2324	1
		Change point - VIN begin GA399973, RHD, Vogue SE	Burr Walnut	MXC2325	1
2	Duct-hot air induction system	Change point - VIN begin GA399973, LHD		MXC3875	1
		Change point - VIN begin GA399973, RHD		MXC3874	1
3	Hose-Wireform	Change point - VIN begin GA399973		MUC8842	1
4	Adaptor-air conditioning compressor hose	Change point - VIN begin GA399973		AEU3057	1
5	Housing-facia vent louvre	Change point - VIN begin GA399973, Change point - VIN end HA472682		MXC5572	4
		Change point - VIN begin HA472683	with wood inserts	BTR1191	4
6	Screw	Change point - VIN begin GA399973	No 8 x 3/4	AFU3002	4
7	Nut-spiralok	Change point - VIN begin GA399973		AK608041L	4
8	Screw	Change point - VIN begin GA399973	Self Tapping, No10 x 3/4	AB610061L	4
9	Screw	Change point - VIN begin GA399973	hexagonal head, M4 x 20	SH104201L	5
10	Washer-Plain	Change point - VIN begin GA399973	M4	WA104001L	10
11	Nut-hexagonal	Change point - VIN begin GA399973	M4	NH104041L	5
12	Foam	Change point - VIN begin GA399973		AEU1404	1
13	Harness blower-air conditioning	Change point - VIN begin GA399973		RTC7407	1
14	Thermostat evaporator-air conditioning	Change point - VIN begin GA399973		MXC5706	1
15	T Piece	Change point - VIN begin GA399973		AEU1403	1



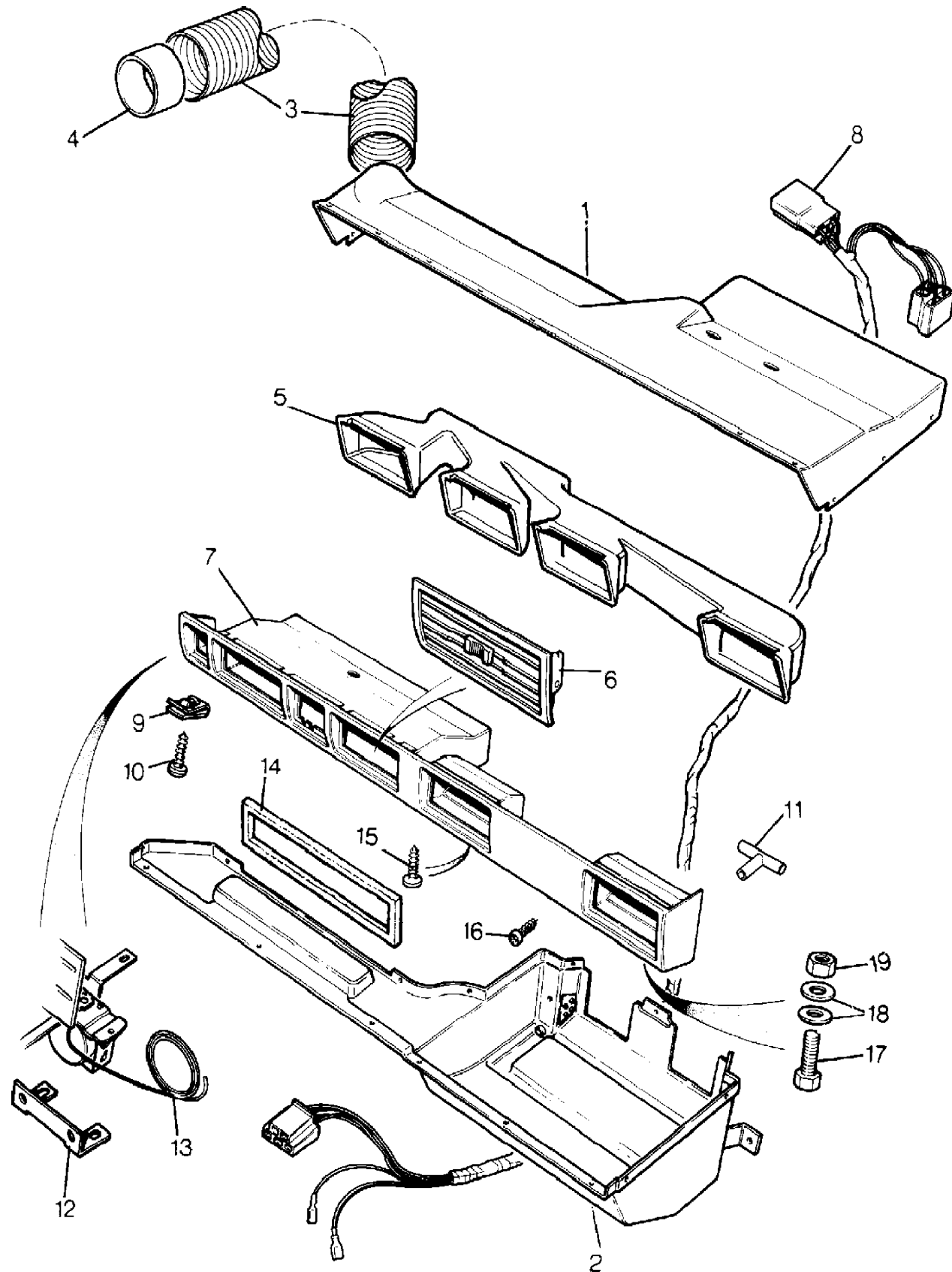
Range Rover (To HA610293)

(TS6542A)

Range Rover (To HA610293)

Change point - VIN begin GA399973, With Air Conditioning

Callout	Name	Application	Remarks & Restrictions	Service No.	Qty
16	Bracket-thermostat assembly mounting	Change point - VIN begin GA399973		AEU1207	1
17	Screw-self tapping B	Change point - VIN begin GA399973	No 12 x 1/2	AB612044	6
18	Case-evaporator	Change point - VIN begin GA399973, RHD Change point - VIN begin GA399973, LHD	top, bottom top, bottom	MXC7234RUN MXC7233RUN	1 1



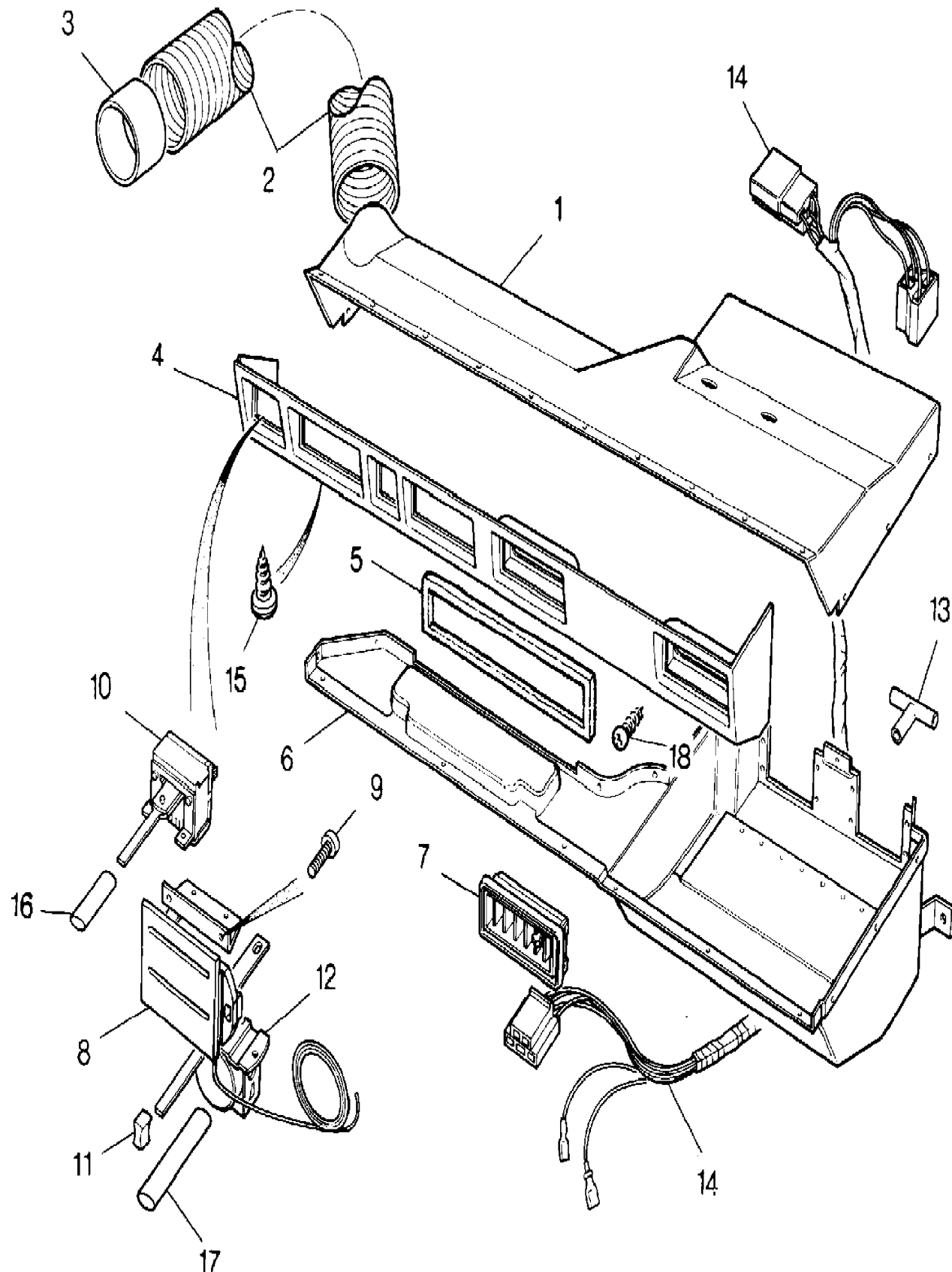
Range Rover (To HA610293)

(TS5607A)

Range Rover (To HA610293)

Change point - VIN end CA274120, With Air Conditioning

Callout	Name	Application	Remarks & Restrictions	Service No.	Qty
1	Facia assembly	Change point - VIN end CA274120, RHD Change point - VIN end CA274120, LHD		MUC7954 MUC2567	1 1
2	Hose-Wireform	Change point - VIN end CA274120		MUC8842	1
3	Adaptor-air conditioning compressor hose	Change point - VIN end CA274120		AEU3057	1
4	Facia rail	Change point - VIN end CA274120, RHD Change point - VIN end CA274120, LHD		MUC2584 MUC2583	1 1
5	Foam	Change point - VIN end CA274120		AEU1404	1
6	Facia assembly-lower	Change point - VIN end CA274120, RHD Change point - VIN end CA274120, LHD		MUC2534 MUC2535	1 1
7	Housing-facia vent louvre	Change point - VIN end CA274120 Change point - VIN end CA274120		MUC6579 MXC5572	4 4
8	Panel-switches mounting	Change point - VIN end CA274120		PRC4818	1
9	Screw-plastic	Change point - VIN end CA274120		PRC5355	4
10	Switch assembly-pressure condenser fan	Change point - VIN end CA274120		AEU1205	1
11	Knob-control heater	Change point - VIN end CA274120		AEU1198	1
12	Thermostat & hose assembly	Change point - VIN end CA274120		AEU3049	1
13	T Piece	Change point - VIN end CA274120		AEU1403	1
14	Harness blower-air conditioning	Change point - VIN end CA274120		RTC7407	1
15	Screw	Change point - VIN end CA274120	Self Tapping, No 8 x 3/4	AB608061L	9
16	Tube	Change point - VIN end CA274120	25MM	PRC5860	1



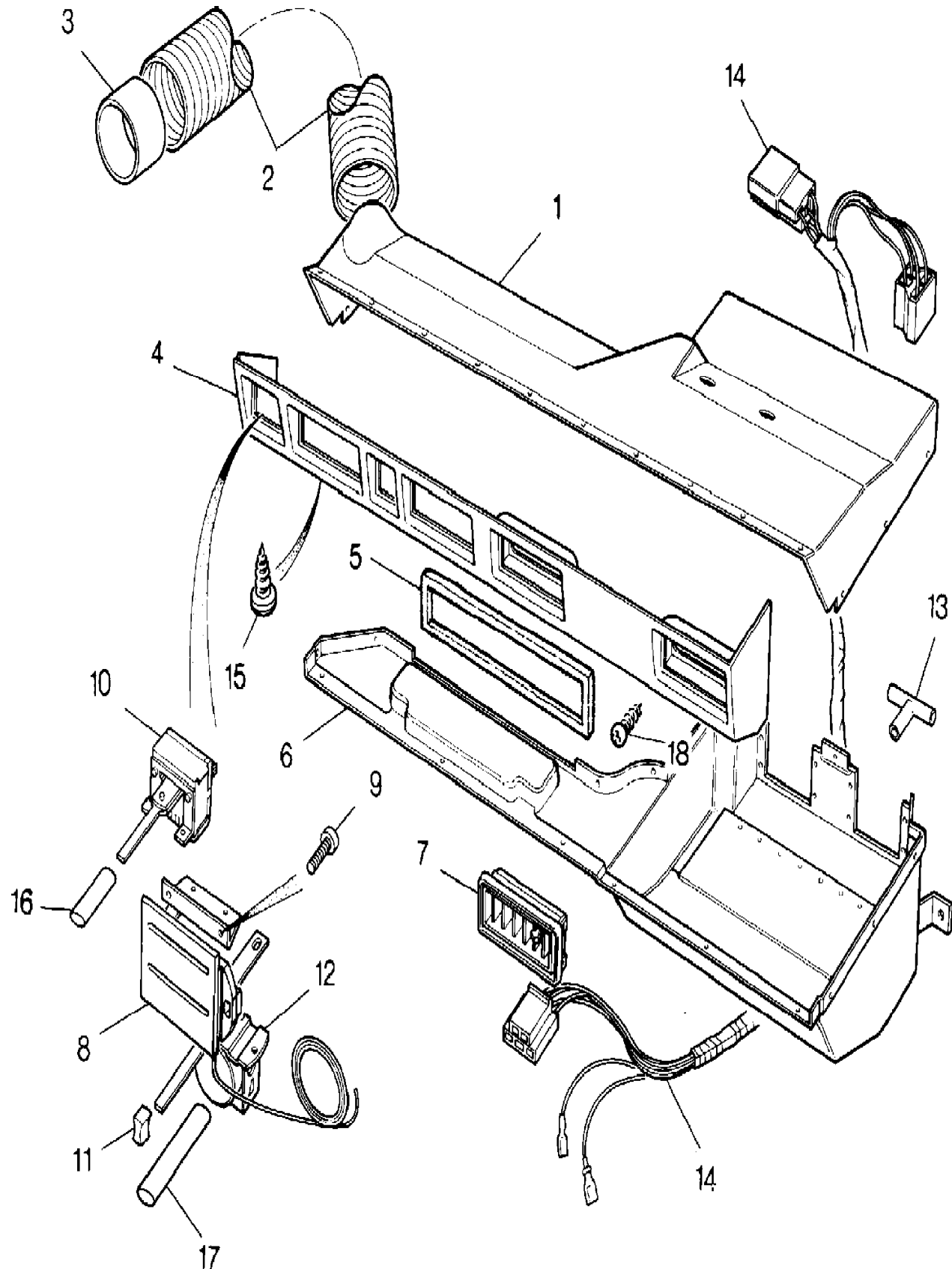
Range Rover (To HA610293)

(TS5607A)

Range Rover (To HA610293)

Change point - VIN end CA274120, With Air Conditioning

Callout	Name	Application	Remarks & Restrictions	Service No.	Qty
17	Tube	Change point - VIN end CA274120	42MM	PRC5861	1
18	Screw-self tapping B	Change point - VIN end CA274120	No 12 x 1/2	AB612044	6



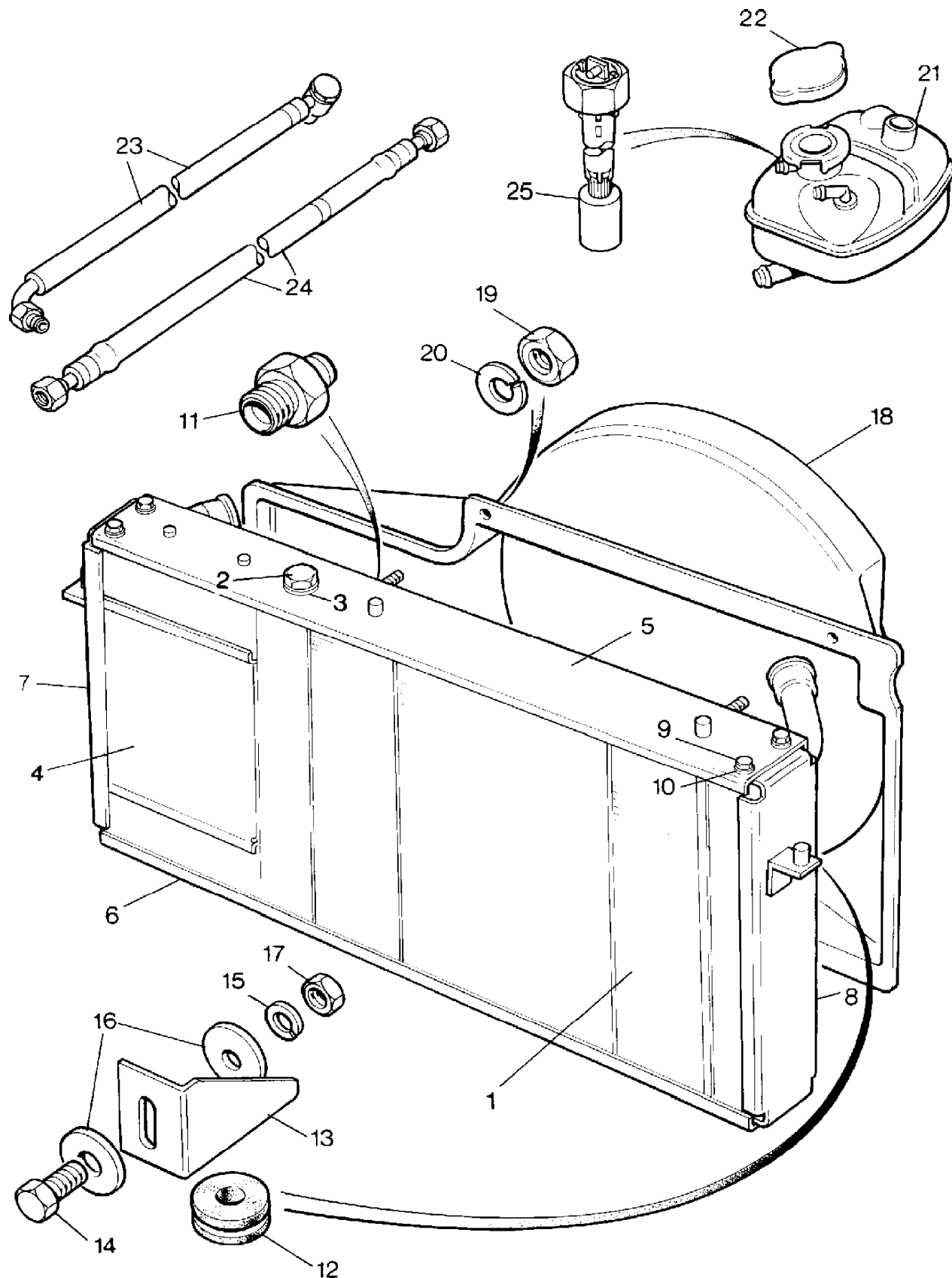
Cooling & Heating
Cooling System
Cooling Unit, Fan Cowl & Expansion Tank-Diesel 2400cc 1/2

Range Rover (To HA610293)

(TS5869A)

Range Rover (To HA610293)

Cooling & Heating
Cooling System
Cooling Unit, Fan Cowl & Expansion Tank-Diesel 2400cc
2.4L 4 Cyl Diesel



Callout	Name	Application	Remarks & Restrictions	Service No.	Qty
1	Radiator & oil cooler assembly	Change point - VIN end FA361896, Diesel 2.4 Change point - VIN begin FA361897, Diesel 2.4	Also serviced as part of a kit	BTP1362 BTP1742	1 1
2	Plug-drain/filler level	Change point - VIN begin FA361897, Diesel 2.4	Also serviced as part of a kit	NTC4609	1
3	O Ring	Change point - VIN begin FA361897, Diesel 2.4	radiator filler plug, Also serviced as part of a kit	NTC5171	1
4	Intercooler-charge air cooler	Change point - VIN end FA361896, Diesel 2.4		FTP8020	1
5	Frame-top	Change point - VIN end FA361896, Diesel 2.4		BTP1738	1
6	Frame-bottom	Change point - VIN end FA361896, Diesel 2.4		BTP1739	1
7	Frame-radiator grille	Change point - VIN end FA361896, Diesel 2.4		BTP1334	1
8	Frame-radiator grille	Change point - VIN end FA361896, Diesel 2.4		BTP1335	1
9	Screw	Change point - VIN end FA361896, Diesel 2.4	hexagonal head, M8 x 12	SH108121L	8
10	Washer	Change point - VIN end FA361896, Diesel 2.4	M8, sprung	WL108001L	8
11	Adaptor-pipe coolant	Change point - VIN end FA361896, Diesel 2.4		NTC3858	2
12	Bush-radiator mounting	Change point - VIN end FA361896, Diesel 2.4		572312	4
13	Bracket-radiator mounting	Change point - VIN end FA361896, Diesel 2.4	top	NTC1873	2
14	Screw	Change point - VIN end FA361896, Diesel 2.4 Diesel 2.4	M8 X 16, hexagonal head M8 X 16, Flanged Head	SH108161L FS108161L	4 4
15	Washer	Change point - VIN end FA361896, Diesel 2.4	M8, sprung	WL108001L	4
16	Washer	Change point - VIN end FA361896, Diesel 2.4	8MM	WA108051L	4
17	Nut - Hex.	Change point - VIN end FA361896, Diesel 2.4	M8, hexagonal head	NH108041L	4
18	Cowl-cooling system fan	Change point - VIN end FA361896, Diesel 2.4		NTC2586	1

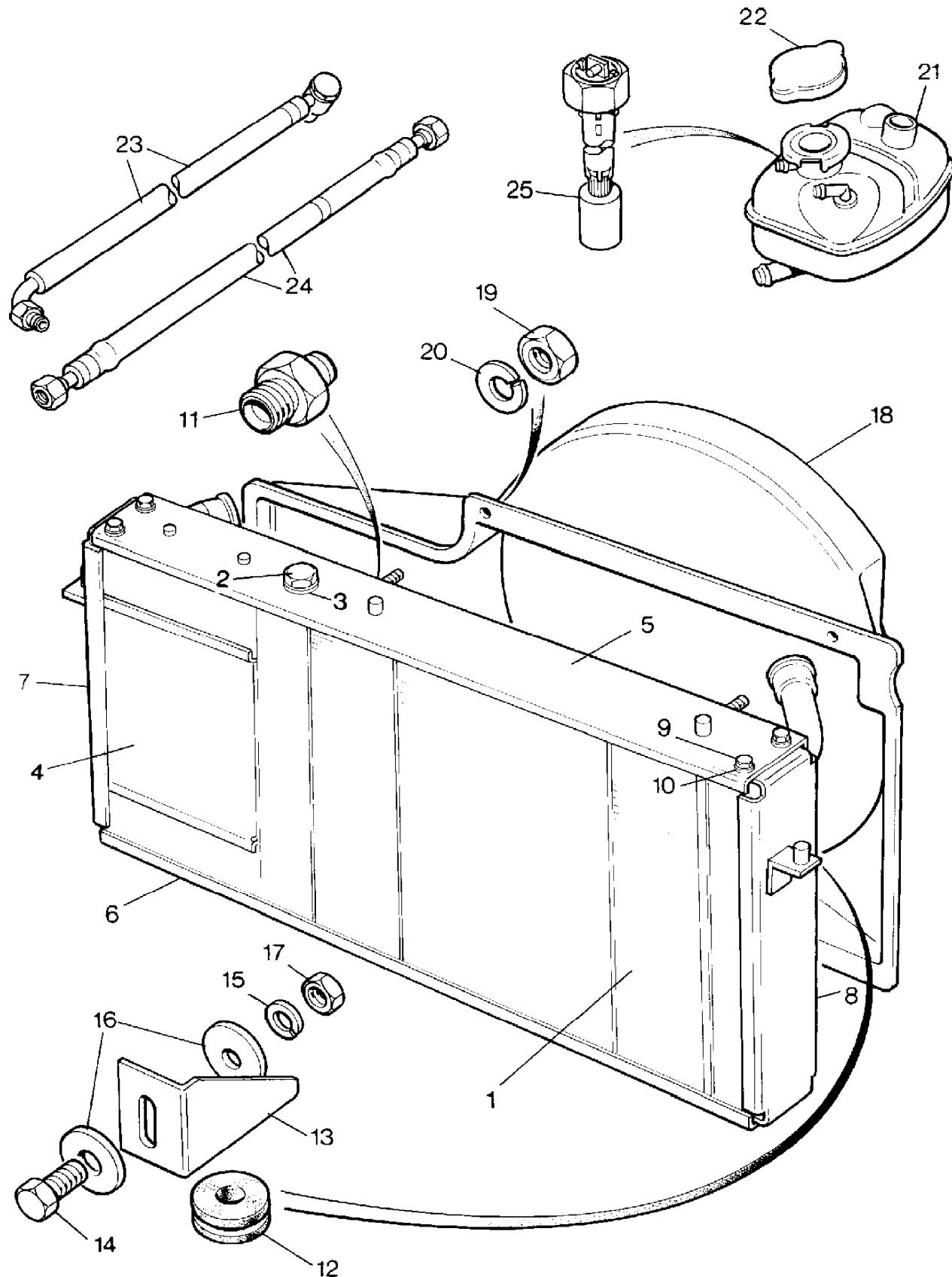
Cooling & Heating
Cooling System
Cooling Unit, Fan Cowl & Expansion Tank-Diesel 2400cc 2/2

Range Rover (To HA610293)

(TS5869A)

Range Rover (To HA610293)

Cooling & Heating
Cooling System
Cooling Unit, Fan Cowl & Expansion Tank-Diesel 2400cc
2.4L 4 Cyl Diesel



Callout	Name	Application	Remarks & Restrictions	Service No.	Qty
19	Nut-hexagonal	Change point - VIN end FA361896, Diesel 2.4	M5	NH105041L	2
20	Washer-Spring	Change point - VIN end FA361896, Diesel 2.4	M5, Metric, double coil	WS105001	2
21	Tank-cooling system expansion	Change point - VIN end FA361896, Diesel 2.4	Also serviced as part of a kit	NTC6701	1
22	Cap-expansion tank pressure	Change point - VIN end FA361896, Diesel 2.4 Diesel 2.4	Also serviced as part of a kit	565540 PCD100150	1 1
23	Hose-oil cooler/transmission	Change point - VIN end FA361896, Diesel 2.4		NTC3620	1
24	Pipe-oil cooler to engine	Change point - VIN end FA361896, Diesel 2.4		NTC3621	1
25	Sensor-level low coolant	Change point - VIN end CA274120, Diesel 2.4 Change point - VIN begin DA273923, Diesel 2.4		PRC5941 PRC5077	1 1
[901]	Clip-edge harness	Change point - VIN end FA361896, Diesel 2.4		AFU1074	1

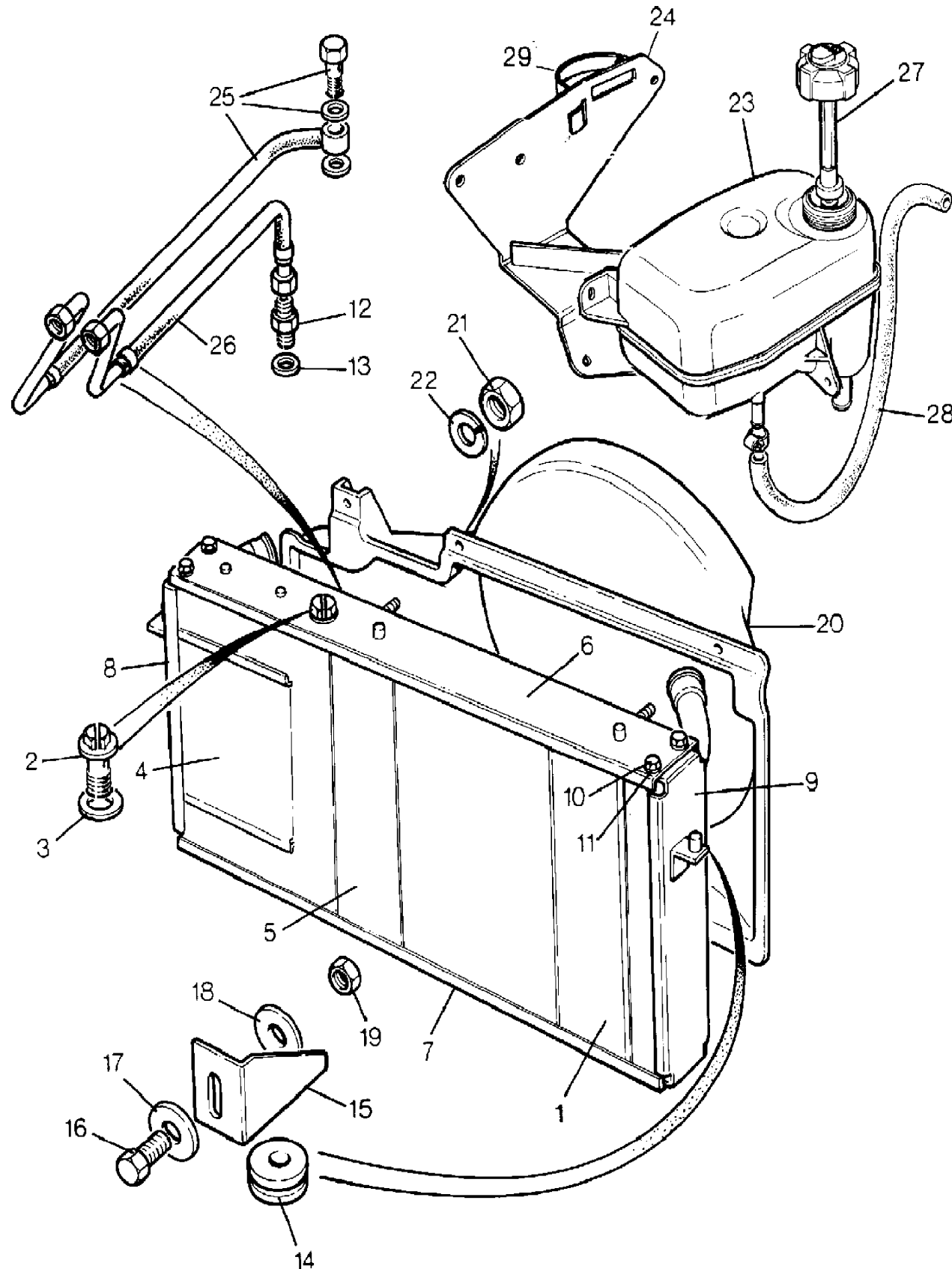
Cooling & Heating
Cooling System
Cooling Unit, Fan Cowl & Expansion Tank-Diesel 2400cc 1/2

Range Rover (To HA610293)

(TS6651A)

Range Rover (To HA610293)

Cooling & Heating
Cooling System
Cooling Unit, Fan Cowl & Expansion Tank-Diesel 2400cc
2.5L 4 Cyl Turbo Diesel



Callout	Name	Application	Remarks & Restrictions	Service No.	Qty
1	Radiator assembly	Change point - VIN end HA610293, 2.5l 4 Cyl VM Turbo Diesel	(-) TDI	BTP1831	1
2	Connector-inlet manifold adaptor	Diesel 2.5		ESR115	1
3	O Ring	Diesel 2.5	radiator filler plug	NTC5171	1
4	Intercooler-charge air cooler	Diesel 2.5		FTP8020	1
5	Oil cooler-engine	Diesel 2.5		KTP9687	1
6	Frame-radiator	Diesel 2.5	top	BTP1839	1
7	Frame-radiator	Diesel 2.5	bottom	BTP1841	1
8	Radiator & frame assembly-cooling system	Diesel 2.5	RH	BTP1842	1
9	Radiator & frame assembly-cooling system	Diesel 2.5	LH	BTP1843	1
10	Screw	Diesel 2.5	hexagonal head, M8 x 12	SH108121L	8
11	Washer	Diesel 2.5	M8, sprung	WL108001L	8
12	Adaptor-oil cooler	Diesel 2.5		ETC9064	1
13	Washer-sealing	Diesel 2.5		ETC9065	1
14	Bush-radiator mounting	Diesel 2.5		572312	4
15	Bracket-radiator mounting	Diesel 2.5	top	NTC1873	2
16	Screw	Diesel 2.5	hexagonal head, M8 x 20	SH108201L	4
17	Washer	Diesel 2.5		WJ108001L	4
18	Washer	Diesel 2.5	8MM	WA108051L	4
19	Nut - Hex.	Diesel 2.5		NH108201L	4
20	Cowl-cooling system fan	Diesel 2.5		ESR157	1
21	Washer	Diesel 2.5	M5, Plain, Standard	WA105001L	2
22	Washer-Spring	Diesel 2.5	M5, Metric, double coil	WS105001	2
23	Tank-radiator expansion	Diesel 2.5		ESR63	1

Cooling & Heating
Cooling System
Cooling Unit, Fan Cowl & Expansion Tank-Diesel 2400cc 2/2

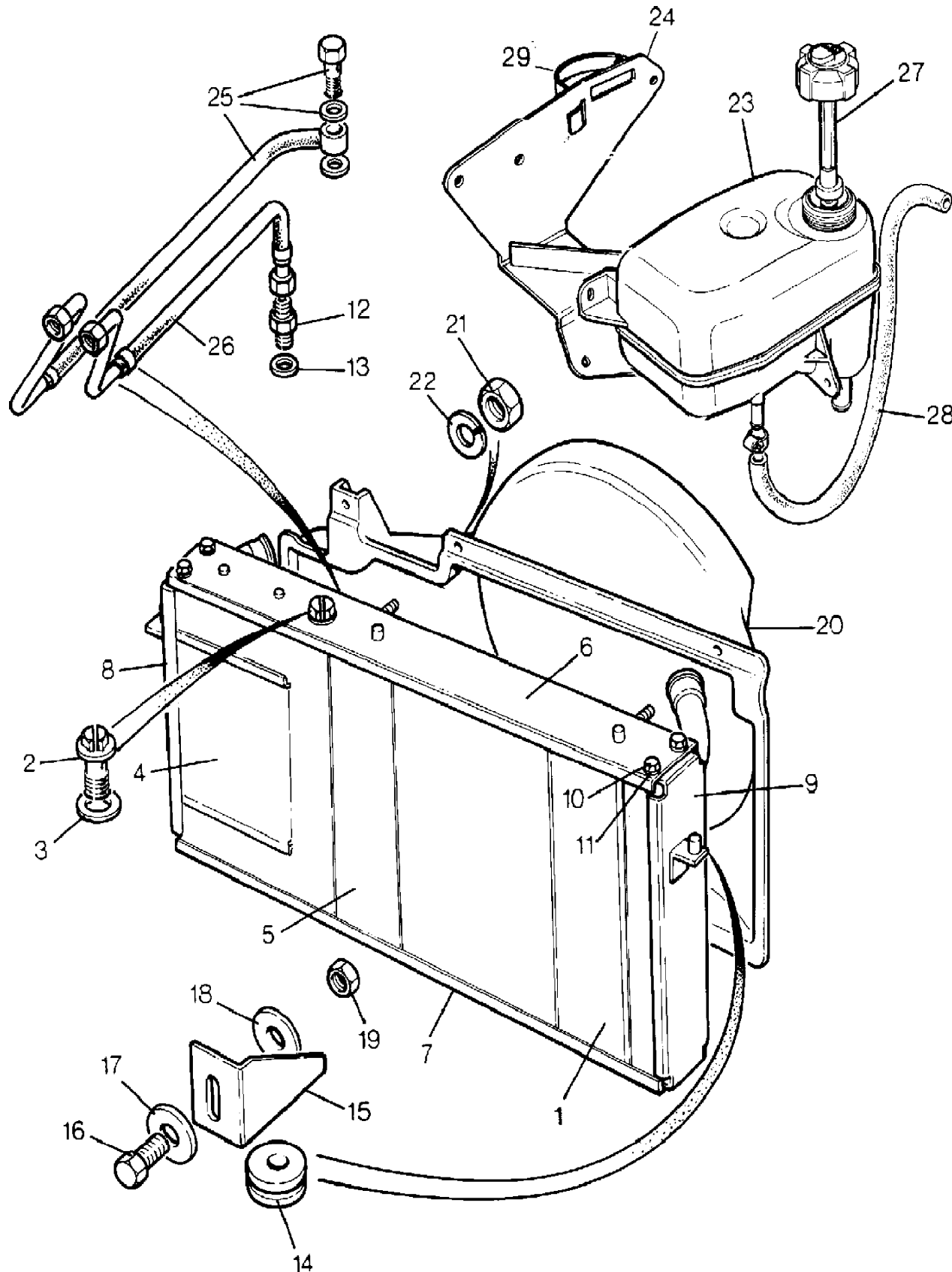
Range Rover (To HA610293)

(TS6651A)

Cooling & Heating
Cooling System

Range Rover (To HA610293)

Cooling Unit, Fan Cowl & Expansion Tank-Diesel 2400cc
2.5L 4 Cyl Turbo Diesel



Callout	Name	Application	Remarks & Restrictions	Service No.	Qty
24	Bracket-expansion tank mounting	Diesel 2.5		NTC7465	1
25	Hose-engine coolant valve	Diesel 2.5		NTC6785	1
26	Hose-engine coolant valve	Diesel 2.5		NTC7849	1
27	Sensor-level low coolant	Diesel 2.5		PRC7925	1
28	Hose-bleed pipe assembly to expansion tank	Diesel 2.5		NTC7298	1
29	Bracket power assisted steering reservoir	Diesel 2.5		NTC7480	1

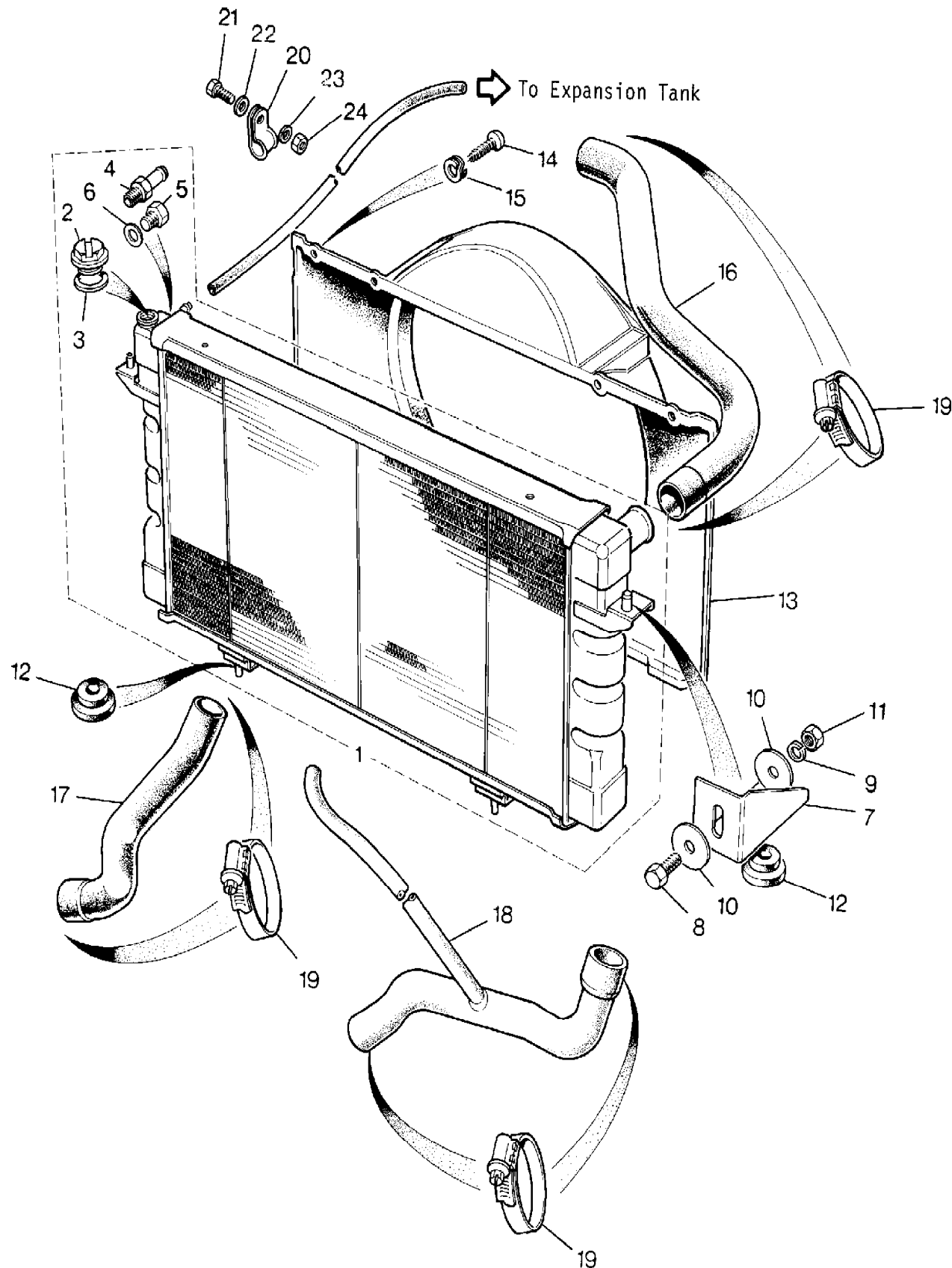
Range Rover (To HA610293)

(TS5603A)

Range Rover (To HA610293)

3.5L Petrol

Callout	Name	Application	Remarks & Restrictions	Service No.	Qty
1	Radiator assembly	Change point - VIN end HA610293	Also serviced as part of a kit	ESR80	1
		Change point - VIN end HA610293	Also serviced as part of a kit	NTC6171	1
2	Plug-drain/filler level	Change point - VIN end HA610293	Also serviced as part of a kit	NTC4609	1
3	O Ring	Change point - VIN end HA610293	Also serviced as part of a kit	NTC5171	1
4	Pipe assembly-coolant	Change point - VIN end HA610293	Also serviced as part of a kit	NTC6706	1
5	Plug-drain/filler level	Change point - VIN end HA610293	Also serviced as part of a kit	RRO2126L	1
6	Washer	Change point - VIN end HA610293	Also serviced as part of a kit	RRO2125L	1
7	Bracket-radiator mounting		top	NTC1873	2
8	Screw		hexagonal head, M8 x 20	SH108201L	2
9	Washer		M8, sprung	WL108001L	2
10	Washer		8MM	WA108051L	2
11	Nut - Hex.		M8, hexagonal head	NH108041L	2
12	Bush-radiator mounting			572312	4
13	Cowl-cooling system fan			ESR1027	1
14	Screw		Self Tapping, No 6 x 1/2	AB606041L	4
15	Washer-Spring		1/4", imperial, double coil	WS600047L	4
16	Hose-radiator top coolant	Change point - VIN end HA610293		NTC1081	1
17	Pipe-coolant			NTC1174	1
18	Hose-radiator bottom coolant	Change point - VIN begin EA336626		NTC5632	1
19	Clip-Hose			CN100508	4
20	Clip-Hose			NRC2383	1
21	Screw		hexagonal head, 1/4UNF x 3/4	SH604061L	1
22	Washer		6MM	WA106041L	1



Cooling & Heating
Cooling System
Cooling Unit, Fan Cowl & Hoses 2/2

Range Rover (To HA610293)

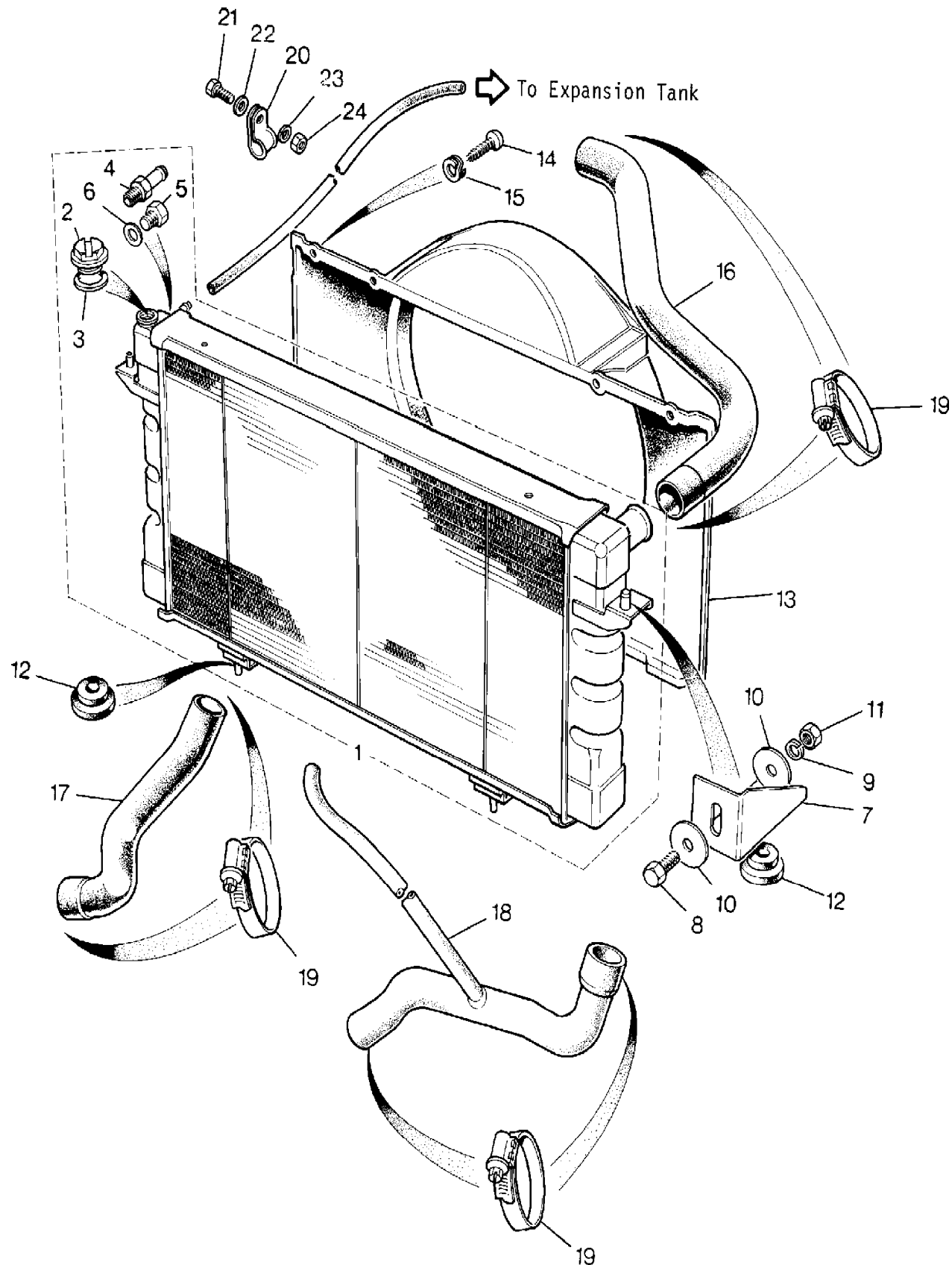
(TS5603A)

Range Rover (To HA610293)

Cooling & Heating
Cooling System
Cooling Unit, Fan Cowl & Hoses

3.5L Petrol

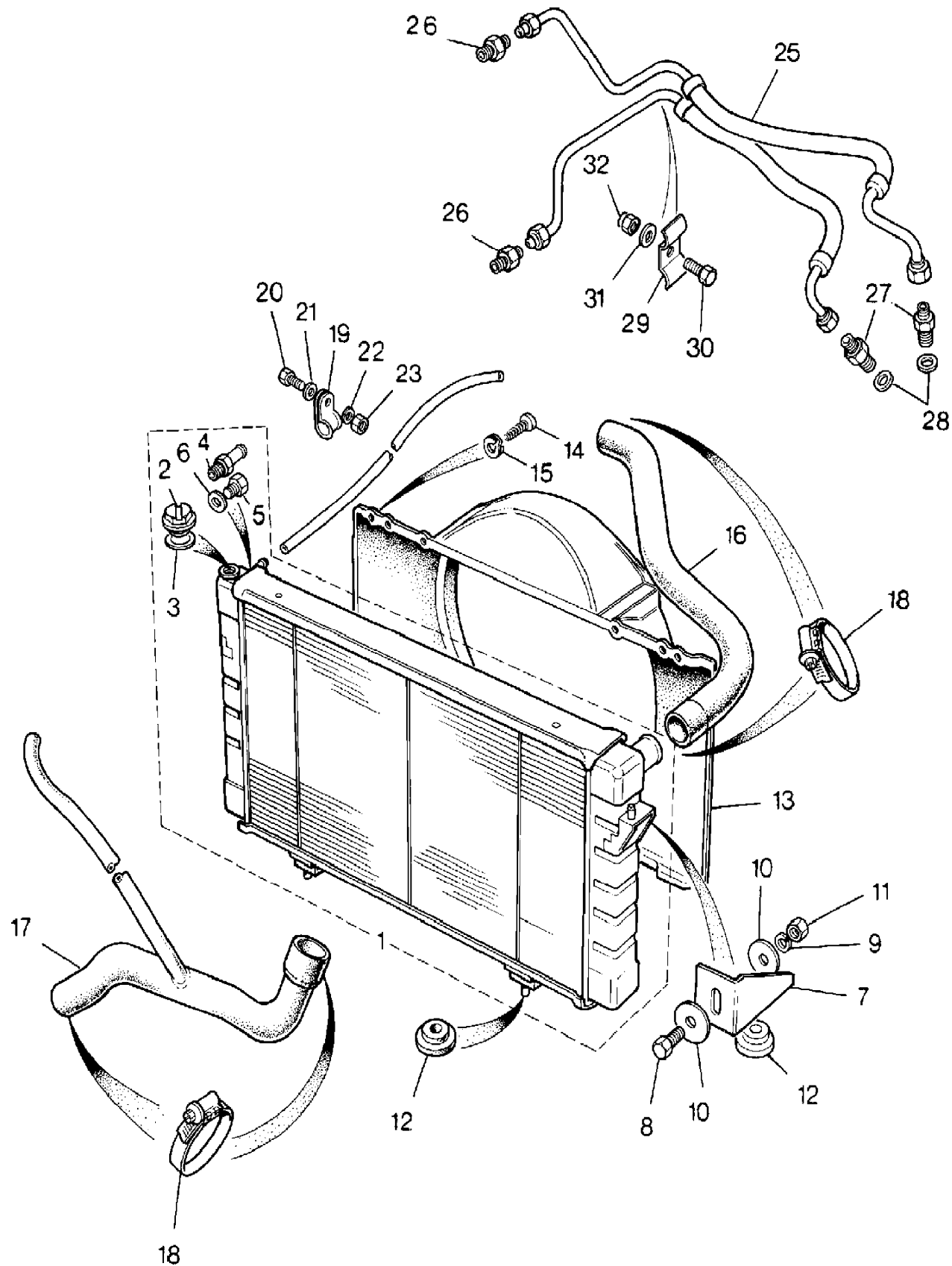
Callout	Name	Application	Remarks & Restrictions	Service No.	Qty
23	Washer-Spring		1/4 dia, Square	WM600041L	1
24	Nut - Hex.		hexagonal head, Coarse Thread, 1/4UNF	NH604041L	1



Cooling & Heating
Cooling System
Cooling Unit, Fan Cowl & Hoses 1/2

Range Rover (To HA610293)

(TS6511B)



Range Rover (To HA610293)

Cooling & Heating
Cooling System
Cooling Unit, Fan Cowl & Hoses

3.9L V8 EFI Petrol

Callout	Name	Application	Remarks & Restrictions	Service No.	Qty
1	Radiator assembly	Change point - VIN end HA610293, 3.9L Petrol, Automatic Transmission Change point - VIN end HA610293, 3.9L Petrol, Manual Transmission	Also serviced as part of a kit	ESR74	1
2	Plug-drain/filler level	Change point - VIN end HA610293, 3.9L Petrol, Automatic Transmission	Also serviced as part of a kit	ESR75	1
3	O Ring	Change point - VIN end HA610293, 3.9L Petrol, Automatic Transmission	Also serviced as part of a kit	NTC5171	1
4	Penthouse vent-radiator-cooling	Change point - VIN end HA610293, 3.9L Petrol, Automatic Transmission	Also serviced as part of a kit	KTP9024	1
5	Plug-drain/filler level	Change point - VIN end HA610293, 3.9L Petrol, Automatic Transmission	Also serviced as part of a kit	RRO2126L	1
6	Washer	Change point - VIN end HA610293, 3.9L Petrol, Automatic Transmission	Also serviced as part of a kit	RRO2125L	1
7	Bracket-radiator mounting	3.9L Petrol	top	NTC1873	2
8	Screw	3.9L Petrol	M8 X 16, hexagonal head	SH108161L	2
9	Washer	3.9L Petrol	M8, sprung	WL108001L	2
10	Washer	3.9L Petrol	8MM	WA108051L	2
11	Nut - Hex.	3.9L Petrol	M8, hexagonal head	NH108041L	2
12	Bush-radiator mounting	3.9L Petrol		572312	4
13	Cowl-radiator	3.9L Petrol		NTC6120	1
14	Screw	3.9L Petrol	Self Tapping, No 6 x 1/2	AB606041L	4
15	Washer-Spring	3.9L Petrol	1/4", imperial, double coil	WS600047L	1
16	Hose-radiator top coolant	Change point - VIN end HA610293, 3.9L Petrol		NTC1081	1
17	Hose-radiator bottom coolant	Change point - VIN end FA399972, 3.9L Petrol Change point - VIN begin GA399973, 3.9L Petrol		NTC5632 NTC7297	1 1
18	Clip-Hose	3.9L Petrol		CN100508	4
19	Clip-Hose	3.9L Petrol		NRC2383	1

Cooling & Heating
Cooling System
Cooling Unit, Fan Cowl & Hoses 2/2

Range Rover (To HA610293)

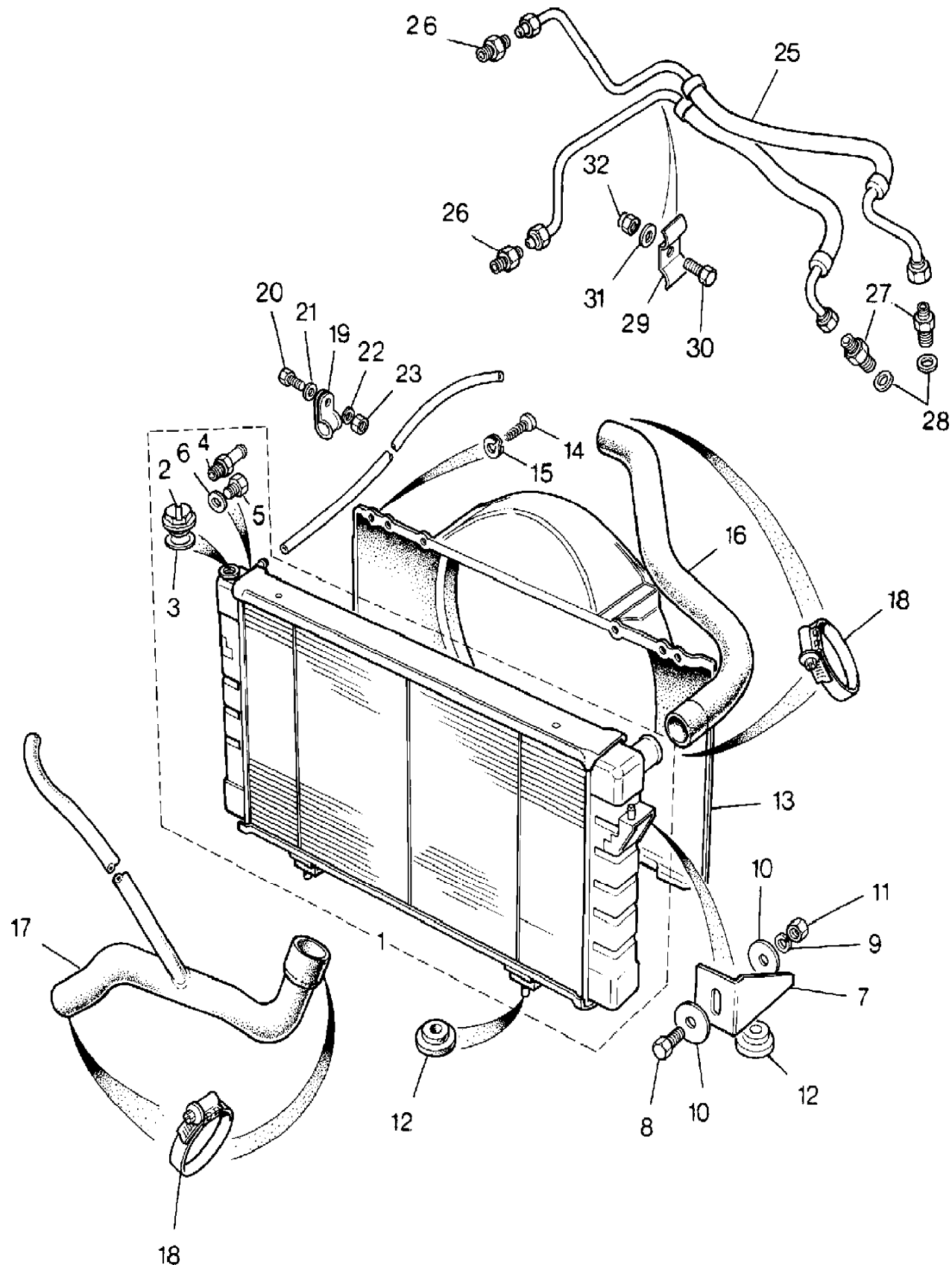
(TS6511B)

Range Rover (To HA610293)

Cooling & Heating
Cooling System
Cooling Unit, Fan Cowl & Hoses

3.9L V8 EFI Petrol

Callout	Name	Application	Remarks & Restrictions	Service No.	Qty
20	Screw	3.9L Petrol	1/4UNF x 3/4	255207	1
21	Washer	3.9L Petrol	6MM	WA106041L	1
22	Washer-Spring	3.9L Petrol	1/4 dia, Square	WM600041L	1
23	Nut - Hex.	3.9L Petrol	hexagonal head, Coarse Thread, 1/4UNF	NH604041L	1
24	Pipe Fuel	Change point - VIN end FA399972, 3.9L Petrol, Automatic Transmission Change point - VIN begin GA399973, 3.9L Petrol		NTC6289	1
				NTC5972	1
25	Pipe Fuel	Change point - VIN end FA399972, 3.9L Petrol, Automatic Transmission Change point - VIN begin GA399973, 3.9L Petrol		NTC5620	1
				ESR137	1
26	Adaptor-pipe coolant	3.9L Petrol		NTC3858	2
27	Adaptor-oil cooler	3.9L Petrol		ETC9064	2
28	Washer-sealing	3.9L Petrol		ETC9065	2
29	Clamp	3.9L Petrol		NTC6847	2
30	Screw	3.9L Petrol	M6 X 16, hexagonal head	SH106161L	1
31	Washer	3.9L Petrol	6MM	WA106041L	1
32	Nut - Hex.	3.9L Petrol	M6, hexagonal head, nyloc	NY106041L	1



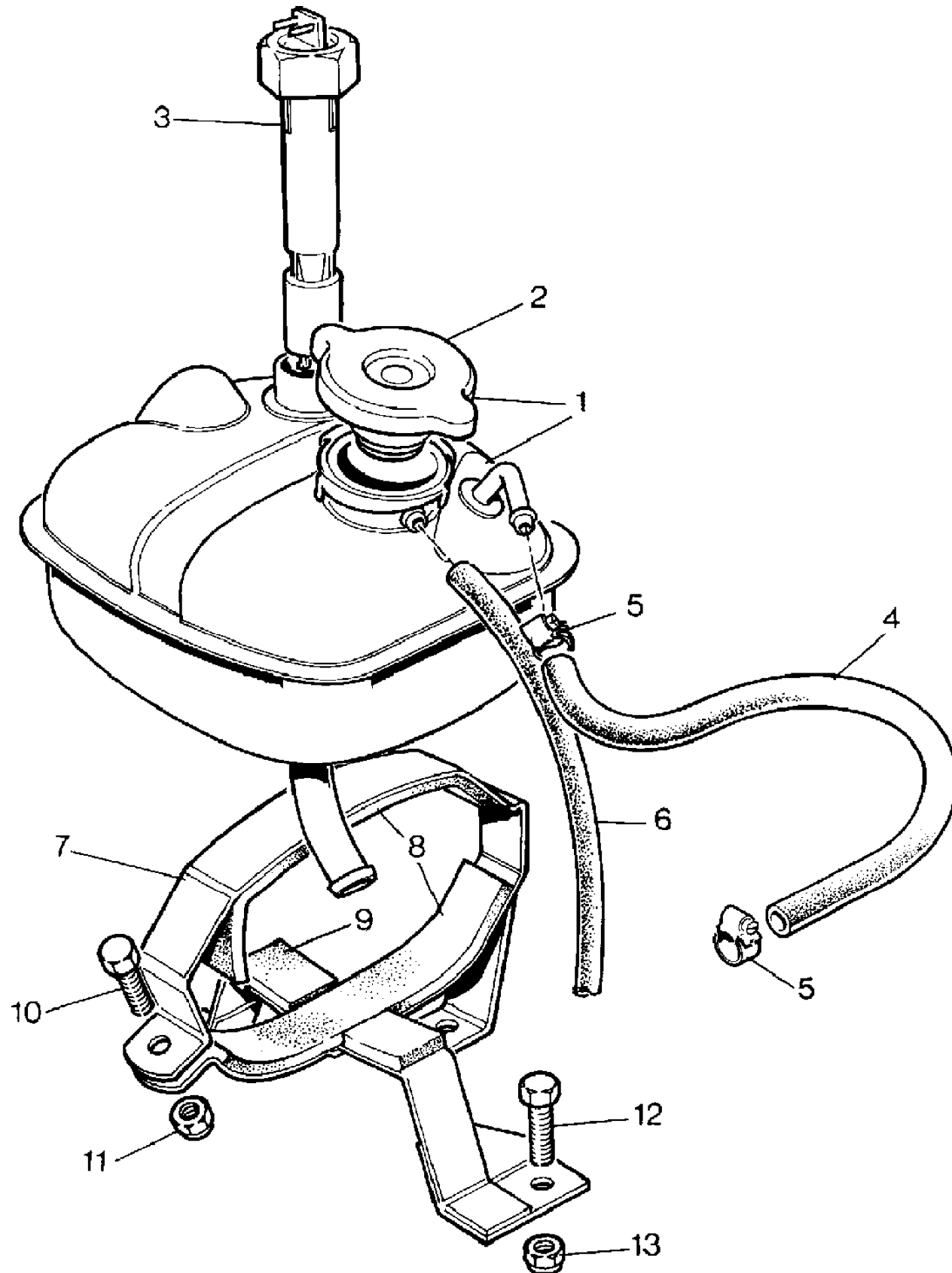
Cooling & Heating
Cooling System
Expansion Tank-From (V) EA336626 To (V) FA399972 1/2

Range Rover (To HA610293)

(TS6552)

Range Rover (To HA610293)

Cooling & Heating
Cooling System
Expansion Tank-From (V) EA336626 To (V) FA399972



Callout	Name	Application	Remarks & Restrictions	Service No.	Qty
1	Tank-cooling system expansion	Change point - VIN begin EA336626, Change point - VIN end FA399972	Also serviced as part of a kit	NTC6701	1
2	Cap-expansion tank pressure	Change point - VIN begin EA336626, Change point - VIN end FA399972	Also serviced as part of a kit	565540	1
3	Sensor-level low coolant	Change point - VIN begin EA336626, Change point - VIN end FA399972		PRC5077	1
4	Hose-radiator to expansion tank	Change point - VIN begin EA336626, Change point - VIN end EA351846 Change point - VIN begin FA351847, Change point - VIN end FA399972		90575978 NTC6858	1 1
5	Clip-Hose	Change point - VIN begin EA336626, Change point - VIN end FA399972	20MM	CN100208L	3
6	Hose-expansion tank overflow	Change point - VIN begin EA336626, Change point - VIN end FA399972		564724	1
7	Bracket-expansion tank	Change point - VIN begin EA336626, Change point - VIN end EA351846 Change point - VIN begin FA351847, Change point - VIN end FA399972		NTC5288 NTC6995	1 1
8	Tape-self adhesive-foam	Change point - VIN begin EA336626, Change point - VIN end FA399972		NRC5294	2
9	Tape-self adhesive-foam	Change point - VIN begin EA336626, Change point - VIN end FA399972		NRC5295	2
10	Screw	Change point - VIN begin EA336626, Change point - VIN end FA399972	hexagonal head, 1/4UNF x 7/8	SH604071L	1
11	Nut - Hex.	Change point - VIN begin EA336626, Change point - VIN end FA399972	1/4", nyloc, Hexagonal	NY604041L	1
12	Screw	Change point - VIN begin EA336626, Change point - VIN end FA399972 Change point - VIN begin EA336626, Change point - VIN end FA399972	M8 X 16, hexagonal head M6 X 16, hexagonal head	SH108161L SH106161L	1 1
13	Nut - Hex.	Change point - VIN begin EA336626, Change point - VIN end FA399972	M8	NV108041L	2

Cooling & Heating
Cooling System
Expansion Tank-From (V) EA336626 To (V) FA399972 2/2

Range Rover (To HA610293)

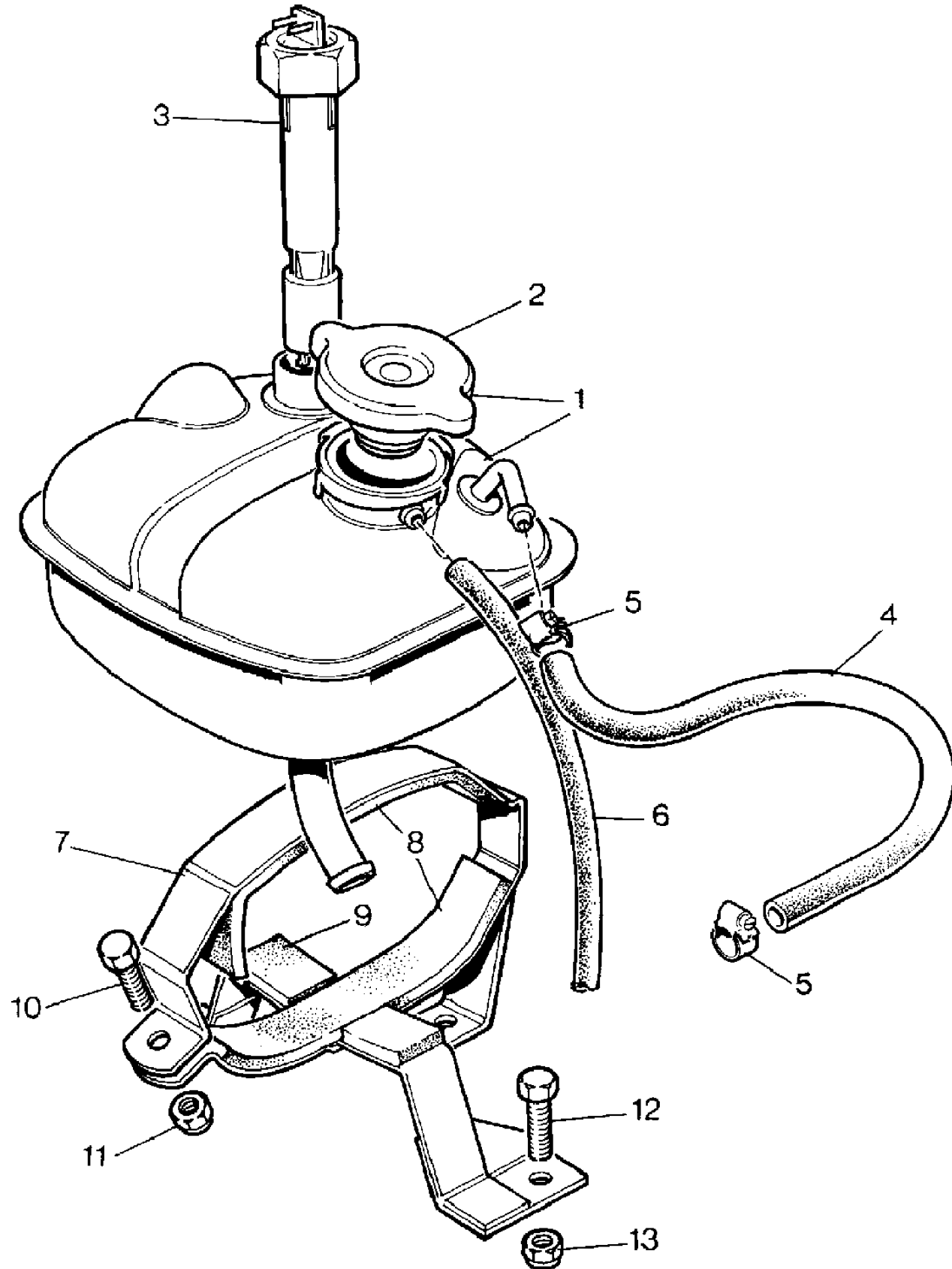
(TS6552)

Range Rover (To HA610293)

Expansion Tank-From (V) EA336626 To (V) FA399972

Cooling & Heating
Cooling System

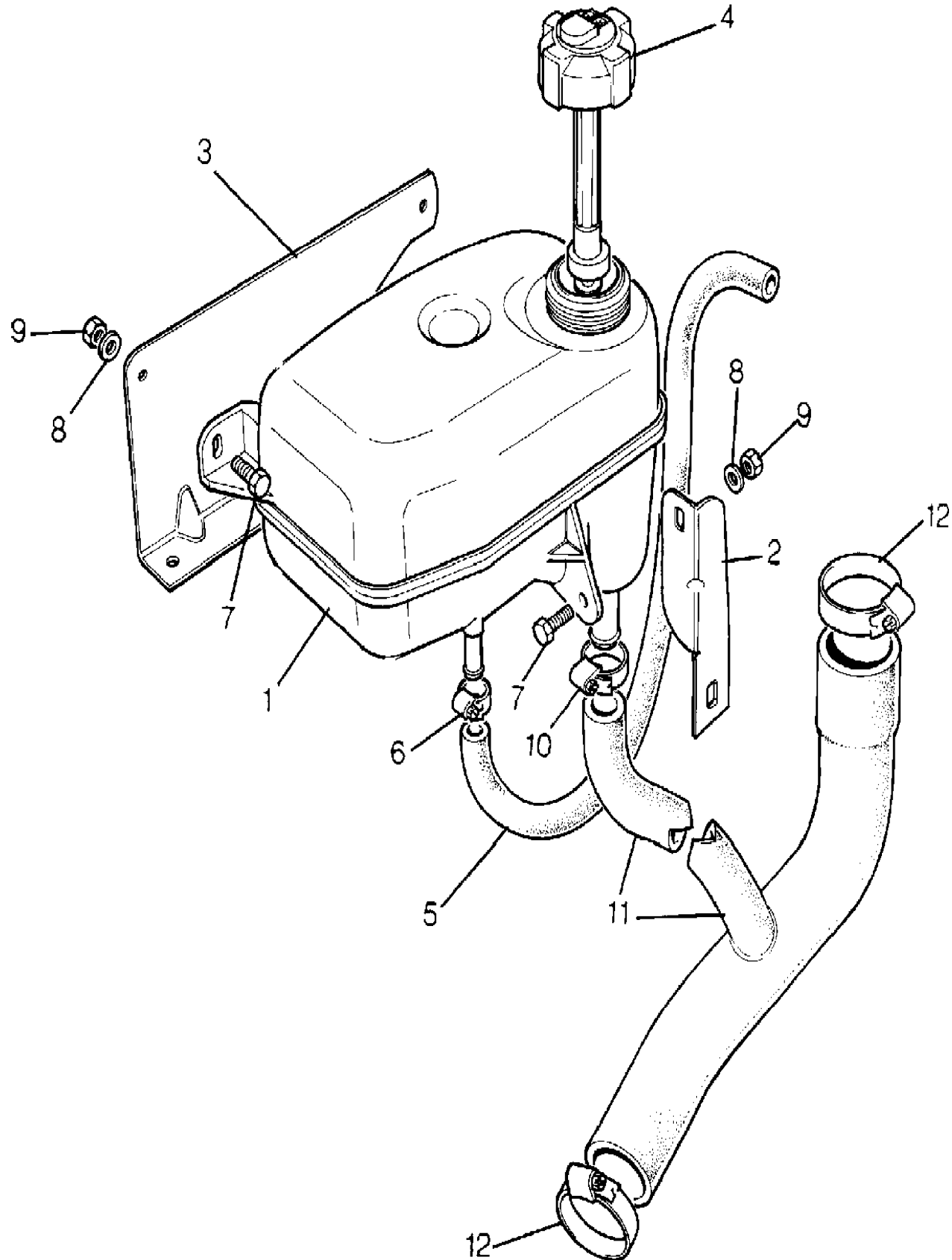
Callout	Name	Application	Remarks & Restrictions	Service No.	Qty
13	Nut - Hex.	Change point - VIN begin EA336626, Change point - VIN end FA399972	M6	NV106041L	1



Cooling & Heating
Cooling System
Expansion Tank-From (V) GA399973 1/1

Range Rover (To HA610293)

(TS6728)



Range Rover (To HA610293)

Cooling & Heating
Cooling System
Expansion Tank-From (V) GA399973

Callout	Name	Application	Remarks & Restrictions	Service No.	Qty
1	Tank-radiator expansion	Change point - VIN begin GA399973		ESR63	1
2	Bracket	Change point - VIN begin GA399973		NTC7299	1
3	Bracket-expansion tank	Change point - VIN begin GA399973, Change point - VIN end GA421806 Change point - VIN begin GA421807		NTC7406 NTC7848	1 1
4	Sensor-level low coolant	Change point - VIN begin GA399973		PRC7925	1
5	Hose-bleed pipe assembly to expansion tank	Change point - VIN begin GA399973		NTC7298	1
6	Clip-Hose	Change point - VIN begin GA399973	20MM	CN100208L	2
7	Screw	Change point - VIN begin GA399973	M6 X 16, hexagonal head	SH106161L	6
8	Washer	Change point - VIN begin GA399973	6MM	WA106041L	6
9	Nut - Hex.	Change point - VIN begin GA399973	M6	NV106041L	6
10	Clip-Hose	Change point - VIN begin GA399973		CN100258	1
11	Hose-radiator bottom coolant	Change point - VIN begin GA399973		NTC7297	1
12	Clip-Hose	Change point - VIN begin GA399973		CN100508	2

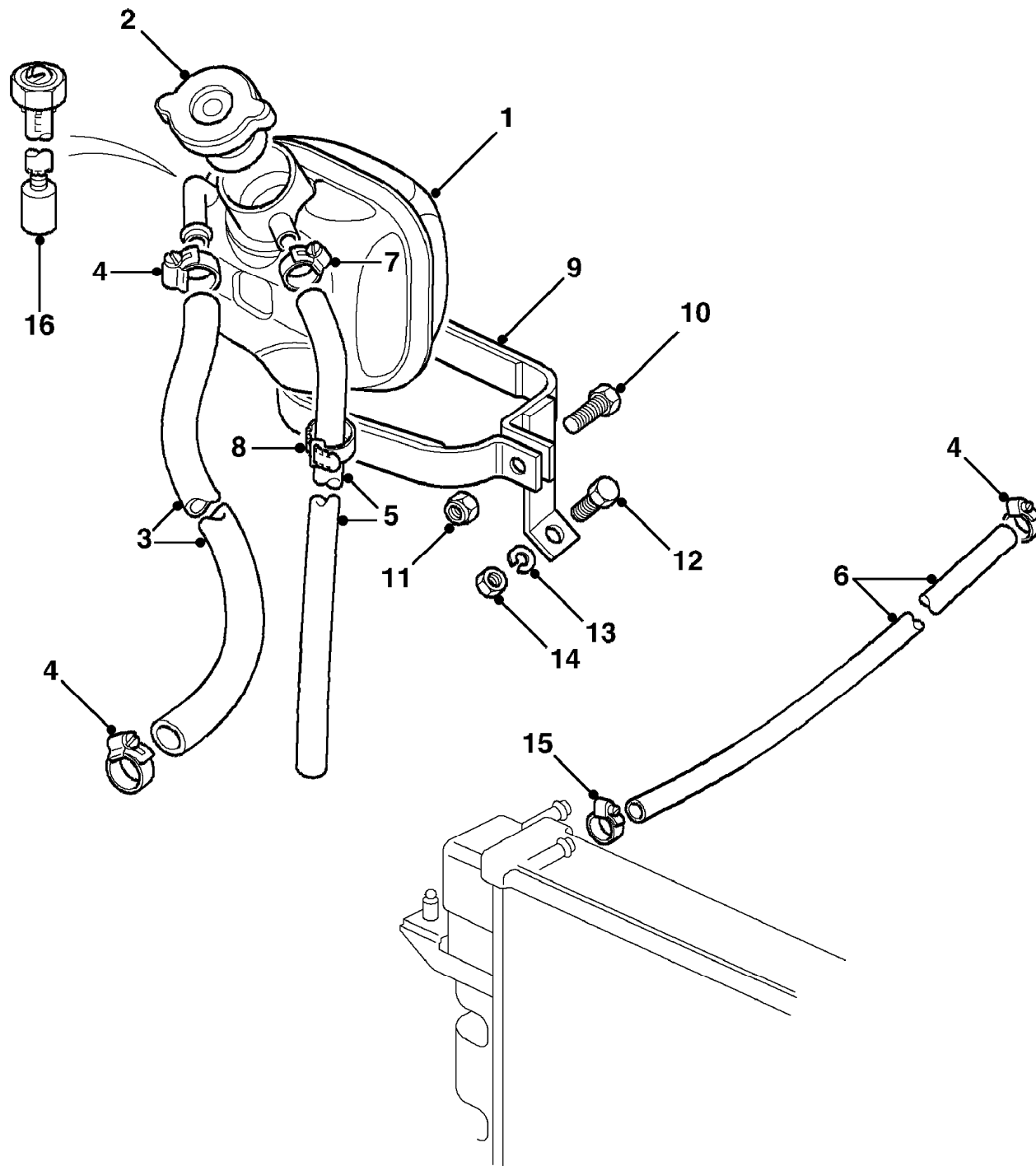
Range Rover (To HA610293)

(TS6546A)

Range Rover (To HA610293)

Change point - VIN end EA336625, V8 Petrol

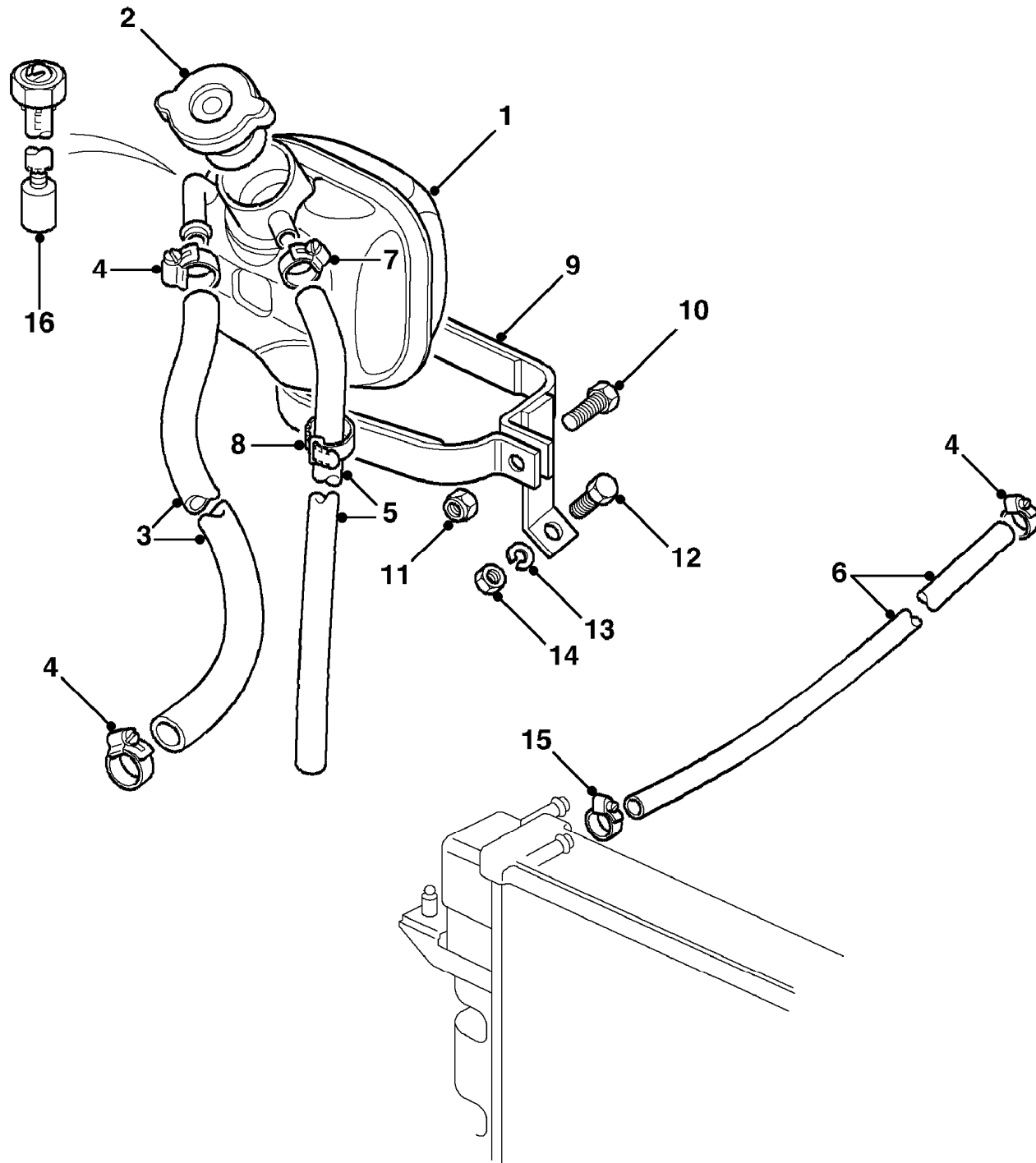
Callout	Name	Application	Remarks & Restrictions	Service No.	Qty
1	Tank-cooling system expansion	Change point - VIN begin CA247121		575972	1
		Change point - VIN end CA247120, With Petrol Engines	Also serviced as part of a kit	NTC4084	1
2	Cap-expansion tank pressure	Change point - VIN end CA247120, With Petrol Engines		565540	1
				PCD100150	1
3	Hose-radiator to expansion tank	Change point - VIN end EA336625, With Petrol Engines		90575978	1
4	Clip-Hose	Change point - VIN end EA336625, With Petrol Engines	20MM	CN100208L	3
5	Hose-expansion tank overflow	Change point - VIN end EA336625, With Petrol Engines		564724	1
6	Hose-cooling system bleed	Change point - VIN end EA336625, Twin Carburettor		RRC2711	1
7	Clip-Hose	Change point - VIN end CA247120, With Petrol Engines	20MM	CN100208L	1
		Change point - VIN begin CA247121, Change point - VIN end EA336625, With Petrol Engines		CN100258	1
8	Tie-cable	Change point - VIN end EA336625, With Petrol Engines	3 1/4"	240429	1
9	Carrier	Change point - VIN end EA336625, With Petrol Engines		NTC3468	1
10	Screw	Change point - VIN end EA336625, With Petrol Engines	hexagonal head, 1/4UNF x 7/8	SH604071L	1
11	Nut - Hex.	Change point - VIN end EA336625, With Petrol Engines	1/4", nyloc, Hexagonal	NY604041L	1
12	Screw	Change point - VIN end EA336625, With Petrol Engines		SA605051L	2
13	Washer-Spring	Change point - VIN end EA336625, With Petrol Engines	5/16"	WM600051L	2



F02.035
07-2002
L3
TS6546A

Change point - VIN end EA336625, V8 Petrol

Callout	Name	Application	Remarks & Restrictions	Service No.	Qty
14	Nut - Hex.	Change point - VIN end EA336625, With Petrol Engines	hexagonal head, 5/16UNF	NV605041L	2
15	Clip-Hose	Change point - VIN end EA336625, With Petrol Engines		C435997L	1
16	Sensor-level low coolant	Change point - VIN end EA336625, With Petrol Engines		PRC5077	1



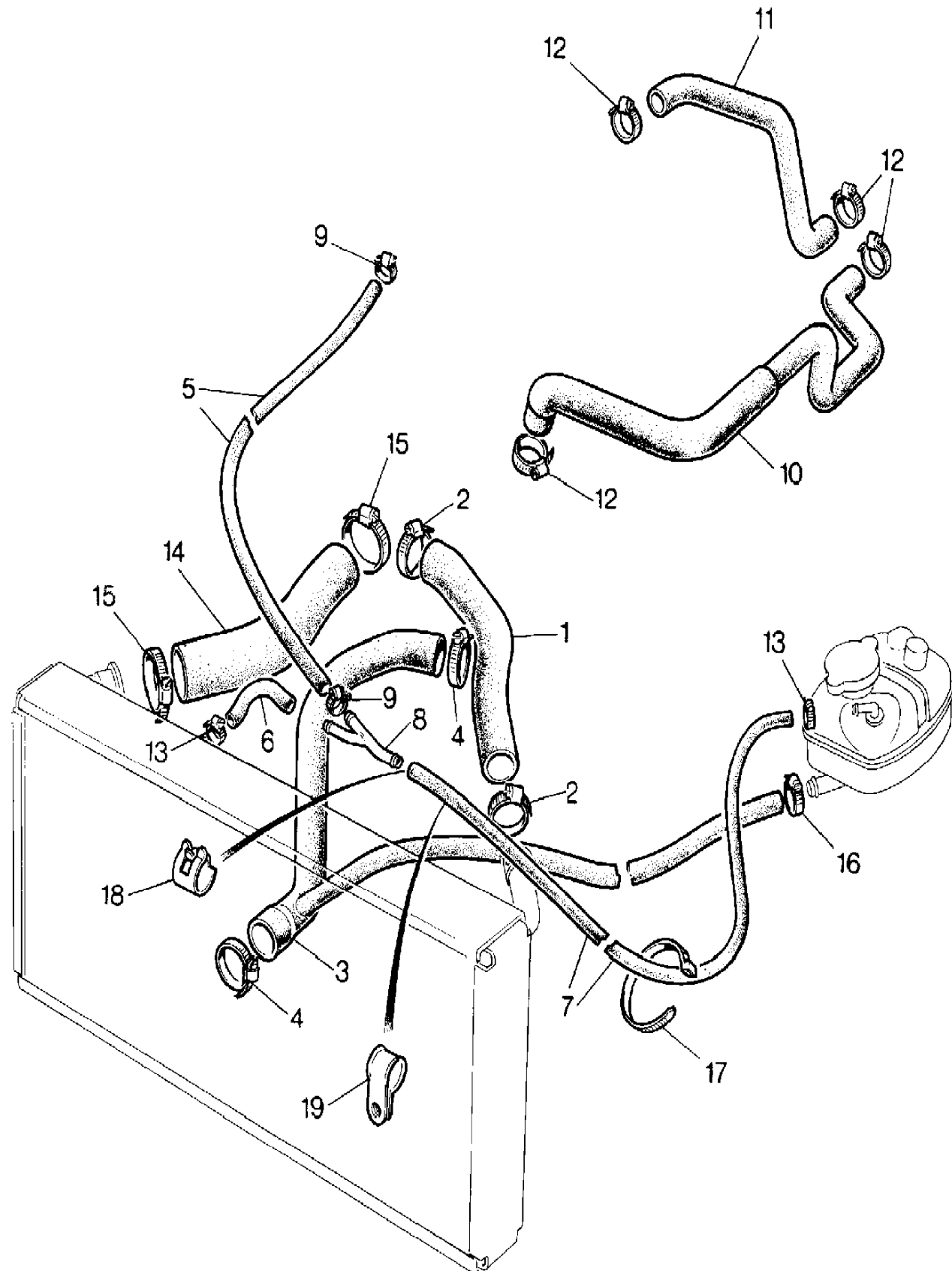
Range Rover (To HA610293)

(TS5857)

Range Rover (To HA610293)

2.4L 4 Cyl Turbo Diesel

Callout	Name	Application	Remarks & Restrictions	Service No.	Qty
1	Pipe-coolant	Diesel 2.4		NTC4619	1
2	Clip-Hose	Diesel 2.4		CN100508	2
3	Pipe-coolant	Diesel 2.4		NTC4622	1
4	Clip-Hose	Diesel 2.4		CN100508	2
5	Hose-cooling system bleed	Diesel 2.4		NTC4745	1
6	Hose assembly-breather	Diesel 2.4		NTC3597	1
7	Hose-bleed pipe assembly to expansion tank	Diesel 2.4		NTC3598	1
8	T Piece	Diesel 2.4		NTC3599	1
9	Clip-Hose	Diesel 2.4	20MM	CN100208L	2
10	Hose-heater-inlet	Diesel 2.4		NTC2826	1
11	Hose-heater return coolant	Diesel 2.4		NTC2834	1
12	Clip-Hose	Diesel 2.4		CN100258	4
13	Clip-Hose	Diesel 2.4		CN100128	3
14	Hose-outlet to pipe coolant	Diesel 2.4		NTC2316	1
15	Clip-Hose	Diesel 2.4		CN100608L	2
16	Clip-Hose	Diesel 2.4		CN100258	1
17	Tie-cable	Diesel 2.4		13H9727	1
18	Clip-Hose	Diesel 2.4	12.7MM	UKC3795L	1
19	Clip-p	Diesel 2.4	M12	CP105121L	1
20	Pipe-intercooler-turbocharger casting	Diesel 2.4	Also serviced as part of a kit	NTC5172	1
[900]	Spacer	Diesel 2.4		NTC3233	1



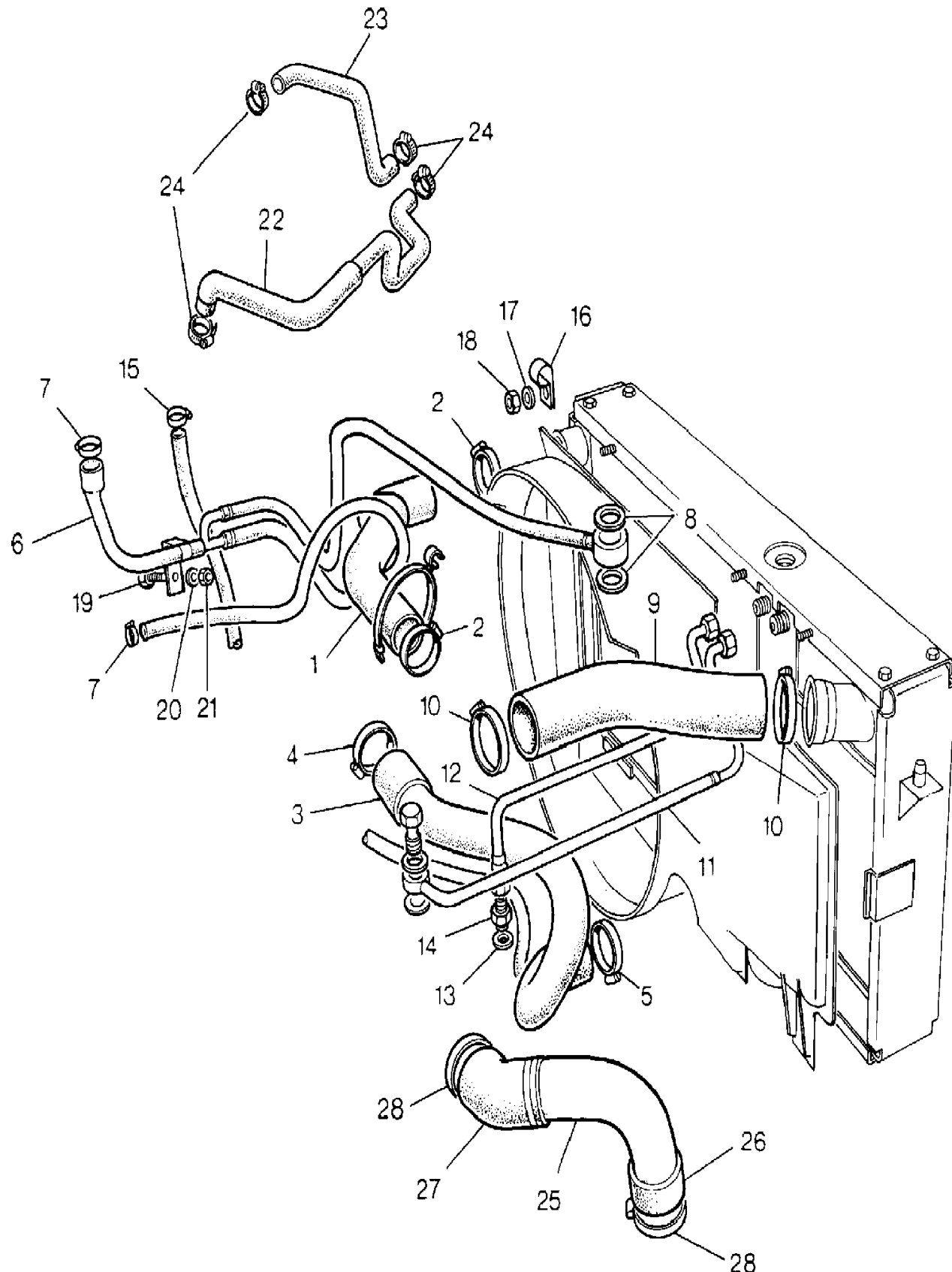
Range Rover (To HA610293)

(TS6791)

Range Rover (To HA610293)

2.5L 4 Cyl Turbo Diesel

Callout	Name	Application	Remarks & Restrictions	Service No.	Qty
1	Bracket-coolant top hose	Diesel 2.5		NTC6734	1
2	Clip-Hose	Diesel 2.5		CN100508	2
3	Hose-radiator bottom coolant	Change point - VIN end HA610293, Diesel 2.5		ESR185	1
4	Clip-Hose	Diesel 2.5		CN100608L	1
5	Clip-Hose	Diesel 2.5		CN100508	1
6	Hose-bleed pipe assembly	Diesel 2.5		ESR189	1
7	Clip-Hose	Diesel 2.5	20MM	CN100208L	2
8	Seal	Diesel 2.5		NTC7423	2
9	Hose-outlet to pipe coolant	Diesel 2.5		NTC2316	1
10	Clip-Hose	Diesel 2.5		CN100608L	2
11	Hose-engine coolant valve	Diesel 2.5		NTC6785	1
12	Hose-engine coolant valve	Diesel 2.5		NTC7849	1
13	Washer-sealing	Diesel 2.5		ETC9065	1
14	Adaptor-oil cooler	Diesel 2.5		ETC9064	1
15	Clip-Hose	Diesel 2.5		CN100258	1
17	Washer	Diesel 2.5	M5, Plain, Standard	WA105001L	3
18	Nut-hexagonal	Diesel 2.5	M5	NH105041L	3
19	Screw	Diesel 2.5	hexagonal head, M8 x 20	SH108201L	1
20	Washer	Diesel 2.5	8MM	WA108051L	1
21	Nut - Hex.	Diesel 2.5	M8, hexagonal head	NH108041L	1
22	Hose-heater-inlet	Diesel 2.5		NTC2826	1
23	Hose-heater return coolant	Diesel 2.5		NTC2834	1
24	Clip-Hose	Diesel 2.5		CN100258	4
25	Pipe assembly-coolant feed turbocharger	Diesel 2.5		NTC5173	1



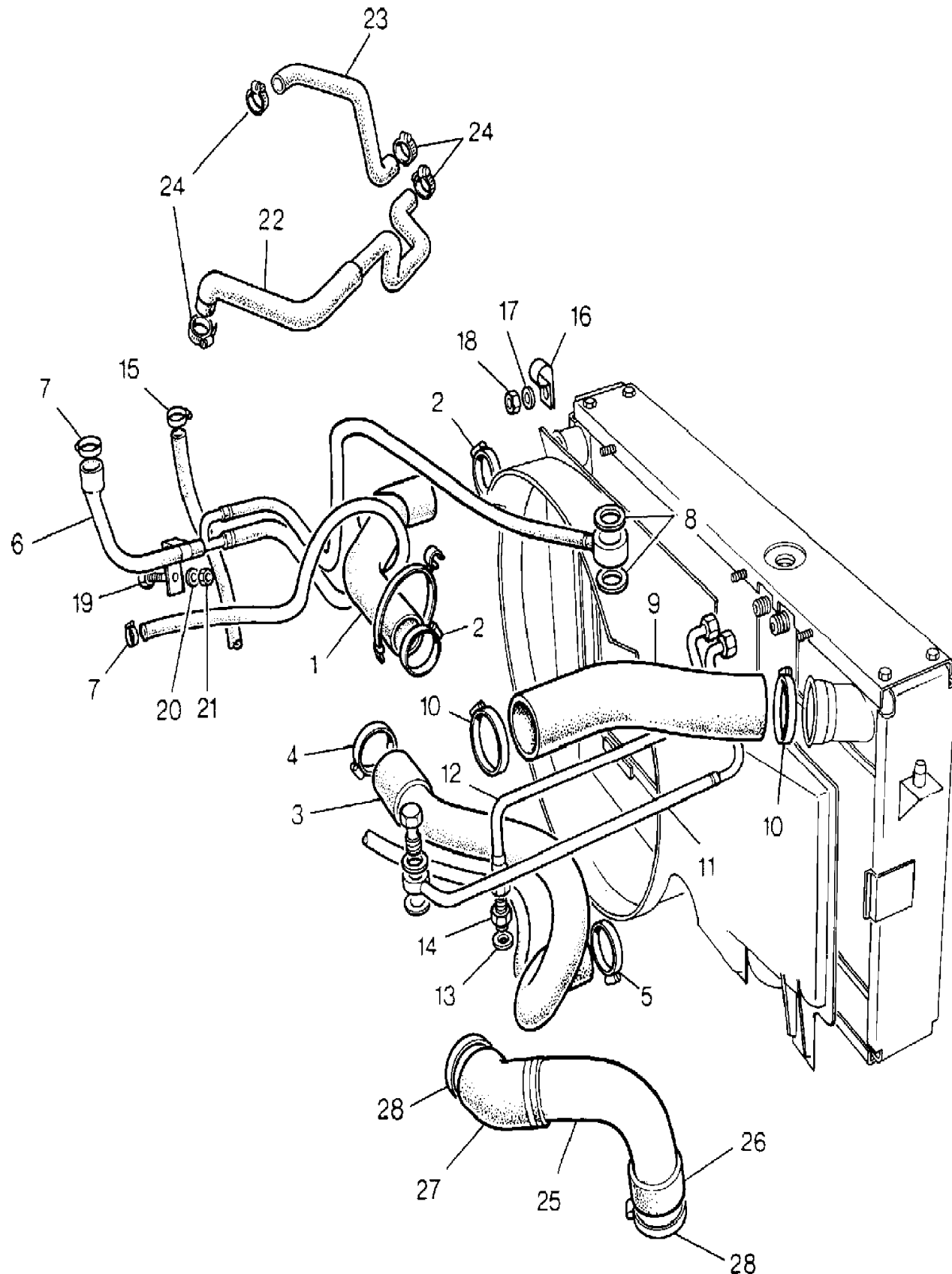
Range Rover (To HA610293)

(TS6791)

Range Rover (To HA610293)

2.5L 4 Cyl Turbo Diesel

Callout	Name	Application	Remarks & Restrictions	Service No.	Qty
26	Hose-Intercooler	Diesel 2.5	Front	NTC5175	1
27	Pipe assembly-coolant feed turbocharger	Diesel 2.5		NTC5174	1
28	Clip-Hose	Diesel 2.5		CN100608L	4

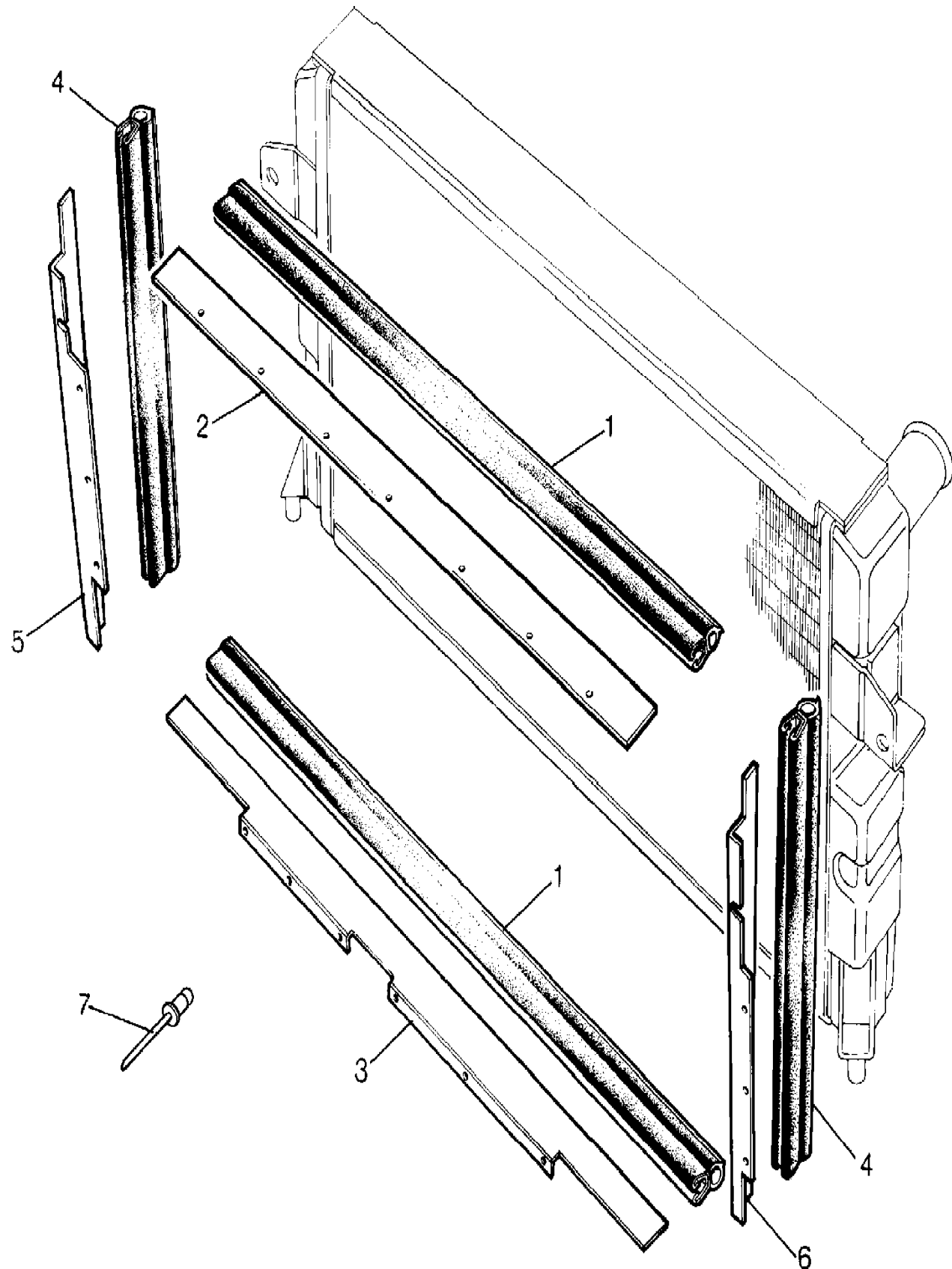


Range Rover (To HA610293)

(4RE153)

Range Rover (To HA610293)

Callout	Name	Application	Remarks & Restrictions	Service No.	Qty
1	Seal-body to cooling pack air		top, bottom	MUC6324	2
2	Bracket-radiator upper mounting			MRC218	1
3	Plate-radiator bottom			MRC206	1
4	Seal-body to cooling pack air		Side	MUC4177	2
5	Bracket-radiator mounting	Less Air Conditioning	RH	MUC6320	1
		With Air Conditioning	RH	MUC6382	1
6	Bracket-radiator mounting	Less Air Conditioning	LH	MUC6319	1
		With Air Conditioning	LH	MUC6383	1
7	Rivet-pop-steel			RA608126L	19



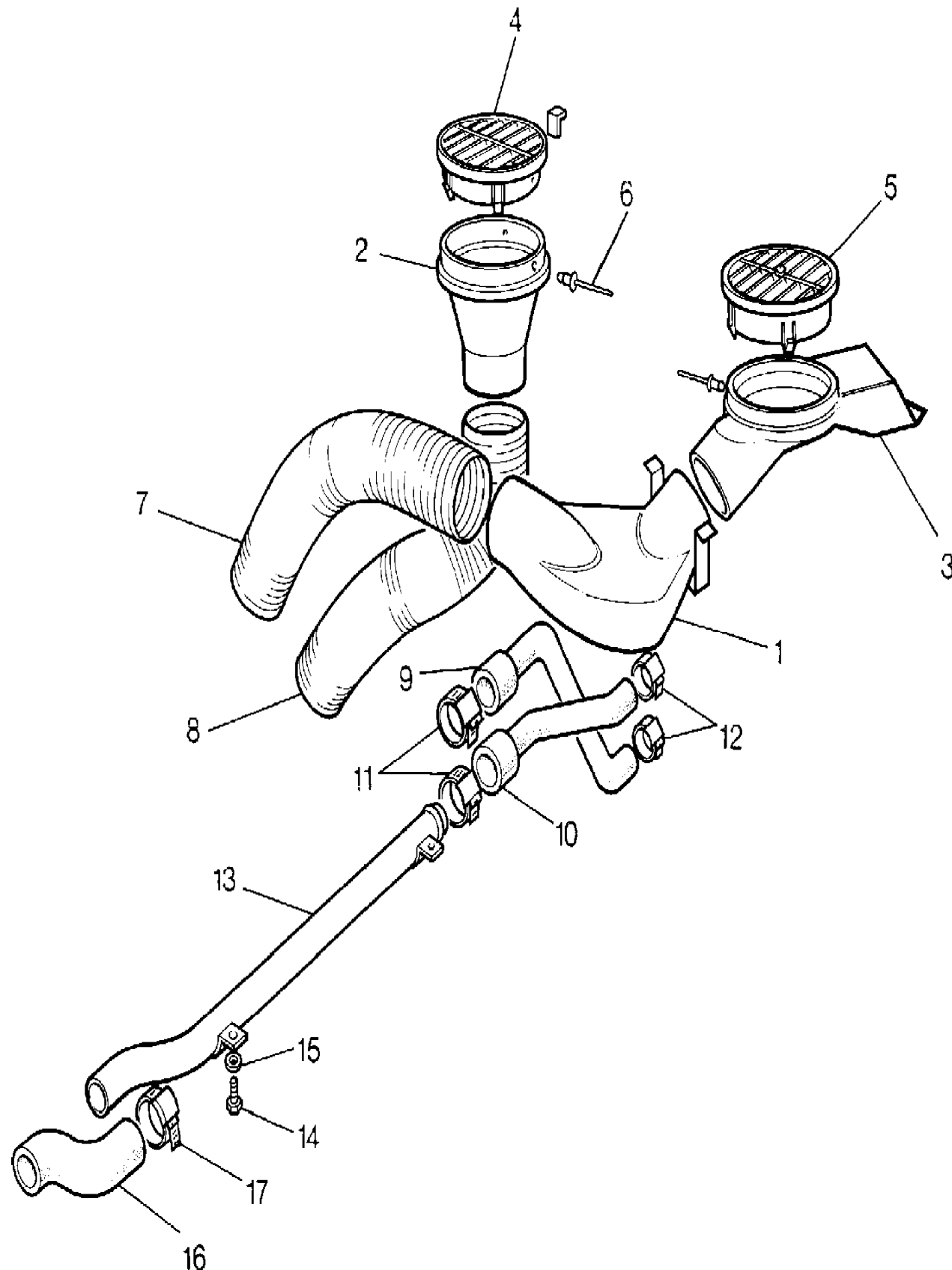
Range Rover (To HA610293)

(TS5613)

Range Rover (To HA610293)

3.5L V8 Twin Carb Petrol

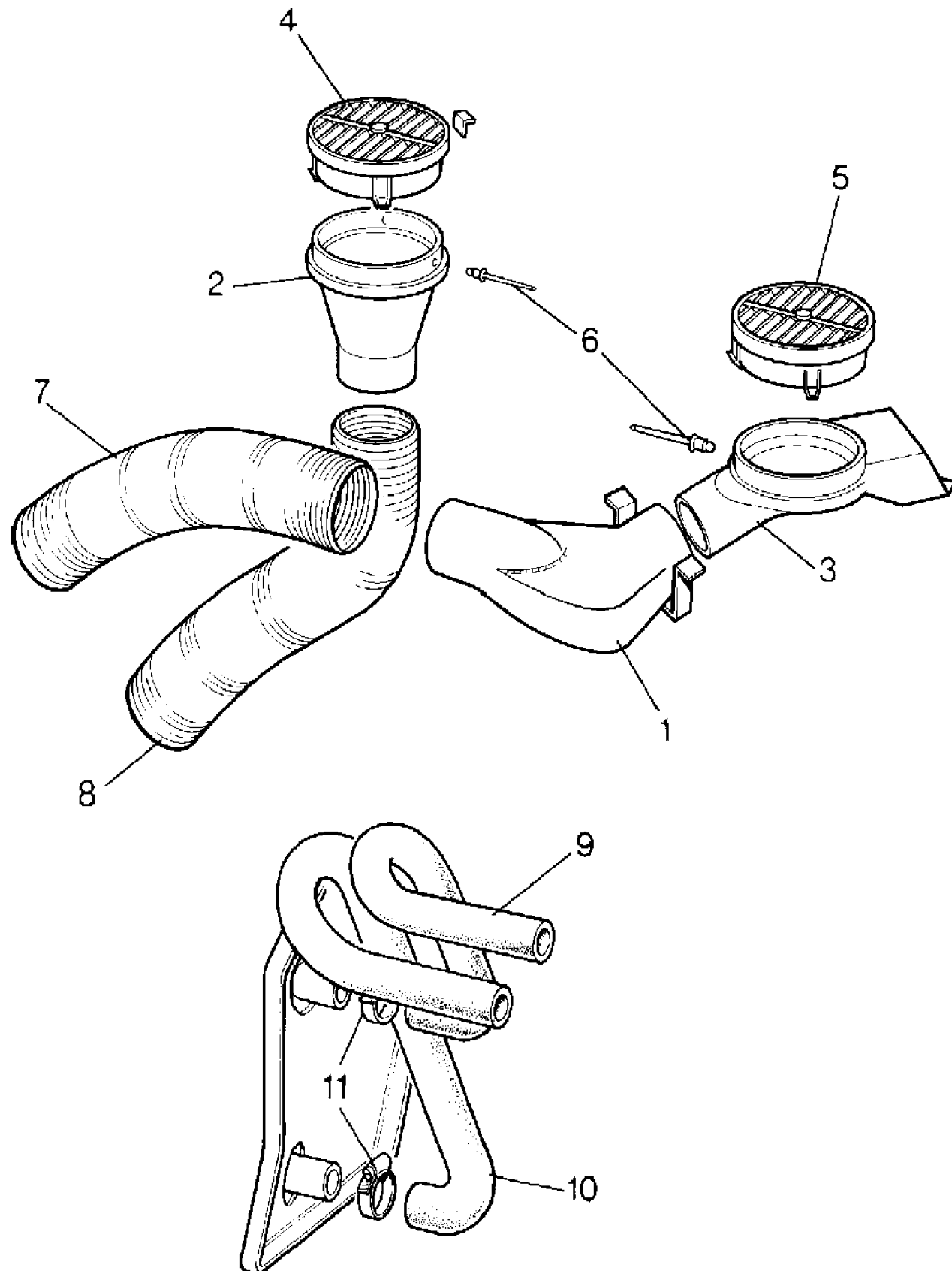
Callout	Name	Application	Remarks & Restrictions	Service No.	Qty
1	Elbow	Twin Carb Twin Carb	RH LH	390851 390852	1 1
2	Connector fit	Twin Carb	Inner	390695	2
3	Connector fit	Twin Carb Twin Carb	Outer, RH Outer, LH	MUC2572 MUC2571	1 1
4	Duct-demist windscreen	Change point - VIN end EA350939, Twin Carb Change point - VIN begin EA350940, Twin Carb	Inner Inner	MTC7707 MXC2043LCQ	2 2
5	Finisher-demist vent windscreen	Twin Carb Twin Carb	Outer, RH Outer, LH	MTC9970 MTC9969	1 1
6	Rivet-pop-aluminium	Twin Carb		78788	8
7	Hose demister-heating system	Twin Carb	Driver Passenger	MWC2600 390828	1 1
8	Hose demist-inner	Twin Carb		390829	2
9	Hose-heater-inlet	Twin Carb		NRC2524	1
10	Hose-heater-outlet	Twin Carb		NRC2523	1
11	Clip-Hose	Twin Carb		CN100308	2
12	Clip-Hose	Twin Carb		CN100258	2
13	Pipe-outlet to inlet manifold coolant	Twin Carb		ERC2143	1
14	Bolt	Twin Carb		253004	2
15	Washer-Spring	Twin Carb	1/4 dia, Square	WM600041L	2
16	Hose-heater to inlet manifold coolant	Twin Carb		ERC2320	1
17	Clip-Hose	Twin Carb		CN100308	2



Cooling & Heating
Heating System
Demisters & Hoses-EFi-From (V) DA302241 1/1

Range Rover (To HA610293)

(TS6209)



Range Rover (To HA610293)

Demisters & Hoses-EFi-From (V) DA302241

Cooling & Heating
Heating System

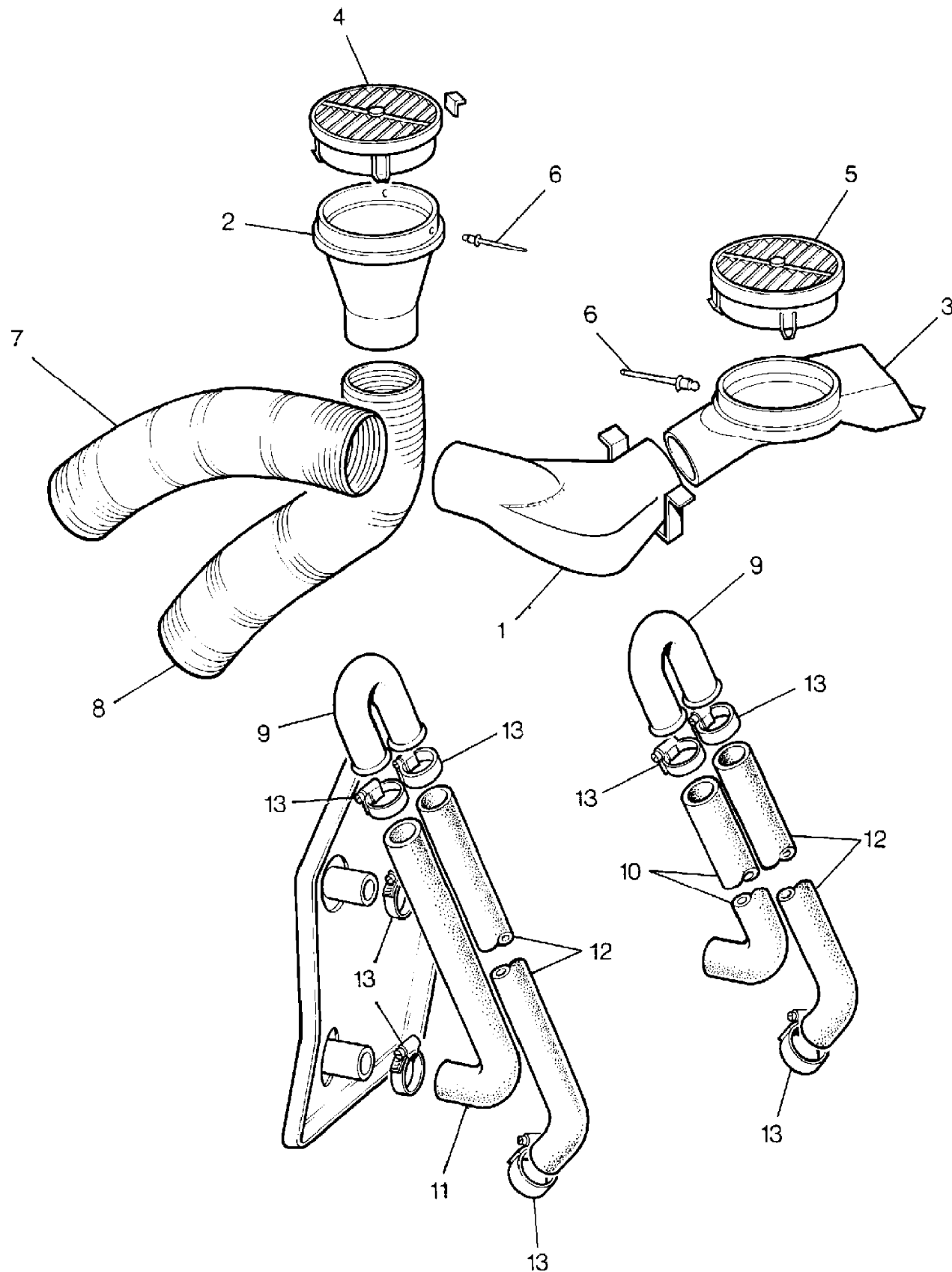
Change point - VIN begin DA302241, V8 EFI Petrol

Callout	Name	Application	Remarks & Restrictions	Service No.	Qty
1	Elbow	Change point - VIN begin DA302241, EFI	RH	390851	1
			LH	390852	1
2	Connector fit	Change point - VIN begin DA302241, EFI	Inner	390695	2
3	Connector fit	Change point - VIN begin DA302241, Change point - VIN end GA436999, EFI	Outer, RH	MUC2572	1
			Outer, LH	MUC2571	1
			Outer, RH	BTR456	1
			Outer, LH	BTR455	1
4	Duct-demist windscreen	Change point - VIN begin DA302241, Change point - VIN end EA351032, EFI	Inner	MXC2043LCQ	2
				MTC7707RUN	2
5	Finisher-demist vent windscreen	Change point - VIN begin DA302241, Change point - VIN end EA351032, EFI	Outer, RH	MTC9970	1
			Outer, LH	MTC9969	1
			Outer, RH, Bokhara	MTC9970RUN	1
			Outer, Bokhara, LH	MTC9969RUN	1
6	Rivet-pop-aluminium	Change point - VIN begin DA302241, EFI		78788	8
7	Hose demister-heating system	Change point - VIN begin DA302241, EFI		MWC2600	1
8	Hose demist-inner	Change point - VIN begin DA302241, EFI		390829	2
9	Hose-heater-outlet	Change point - VIN begin DA302241, EFI		BTR217	1
10	Hose-heater-inlet	Change point - VIN begin DA302241		BTR216	1
11	Clip-Hose	Change point - VIN begin DA302241, EFI	30MM	CN100308L	4

Cooling & Heating
 Heating System
 Demisters & Hoses-EFi-To (V) DA302240 1/1

Range Rover (To HA610293)

(TS5717)



Range Rover (To HA610293)

Cooling & Heating
 Heating System
 Demisters & Hoses-EFi-To (V) DA302240

Change point - VIN end DA302240, V8 EFI Petrol

Callout	Name	Application	Remarks & Restrictions	Service No.	Qty
1	Elbow	Change point - VIN end DA302240, EFI	RH	390851	1
		Change point - VIN end DA302240, EFI	LH	390852	1
2	Connector fit	Change point - VIN end DA302240, EFI	Inner	390695	2
3	Connector fit	Change point - VIN end DA302240, EFI	Outer, RH	MUC2572	1
		Change point - VIN end DA302240, EFI	Outer, LH	MUC2571	1
4	Duct-demist windscreen	Change point - VIN end DA302240, EFI	Inner	MTC7707	2
5	Finisher-demist vent windscreen	Change point - VIN end DA302240, EFI	Outer, RH	MTC9970	1
		Change point - VIN end DA302240, EFI	Outer, LH	MTC9969	1
6	Rivet-pop-aluminium	Change point - VIN end DA302240, EFI		78788	8
7	Hose demister-heating system	Change point - VIN end DA302240, EFI		MWC2600	1
8	Hose demist-inner	Change point - VIN end DA302240, EFI		390829	2
9	Connector fit	Change point - VIN end DA302240, EFI		NTC2845	2
10	Hose-outlet heater	Change point - VIN end DA302240, EFI		NTC2841	1
11	Hose-inlet heater	Change point - VIN end DA302240, EFI		NTC2842	1
12	Hose-heater to pipe coolant	Change point - VIN end DA302240, EFI		NTC2843	2
13	Clip-Hose	Change point - VIN end DA302240, EFI		CN100308	8

Cooling & Heating
 Heating System
 Ducting Rear 1/1

Range Rover (To HA610293)

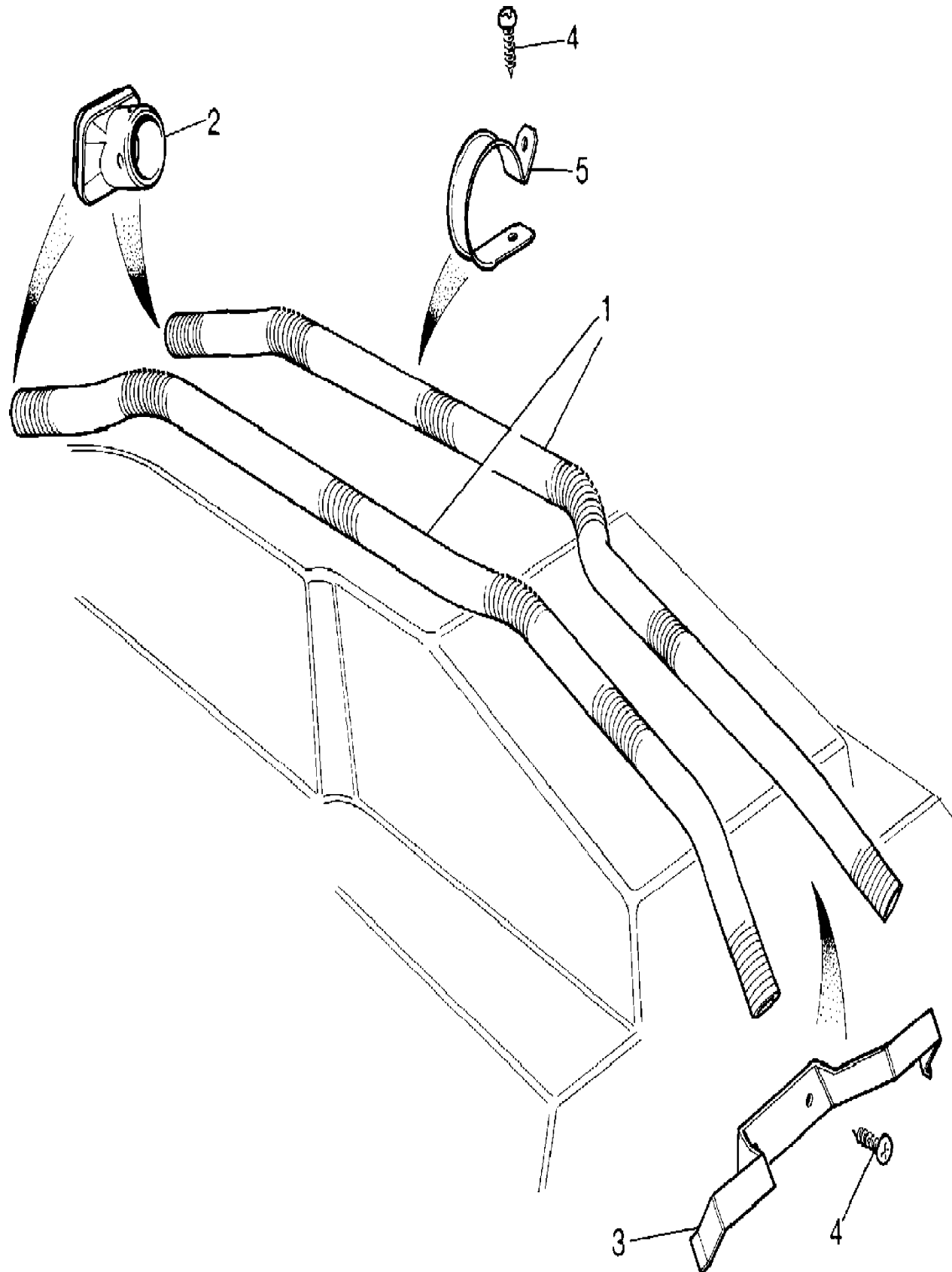
(TS5688)

Range Rover (To HA610293)

Cooling & Heating
 Heating System
 Ducting Rear

4 Door Station Wagon

Callout	Name	Application	Remarks & Restrictions	Service No.	Qty
1	Pipe assembly-coolant to heater			MUC2481	2
2	Joint-air duct floor	Change point - VIN end GA413742 Change point - VIN begin GA413743		MUC3678 BTR276	2 2
3	Bracket			MUC6501	1
4	Screw			AW608101L	10
5	Clip			MUC6310	8



Cooling & Heating
 Heating System
 Fresh Air System 1/1

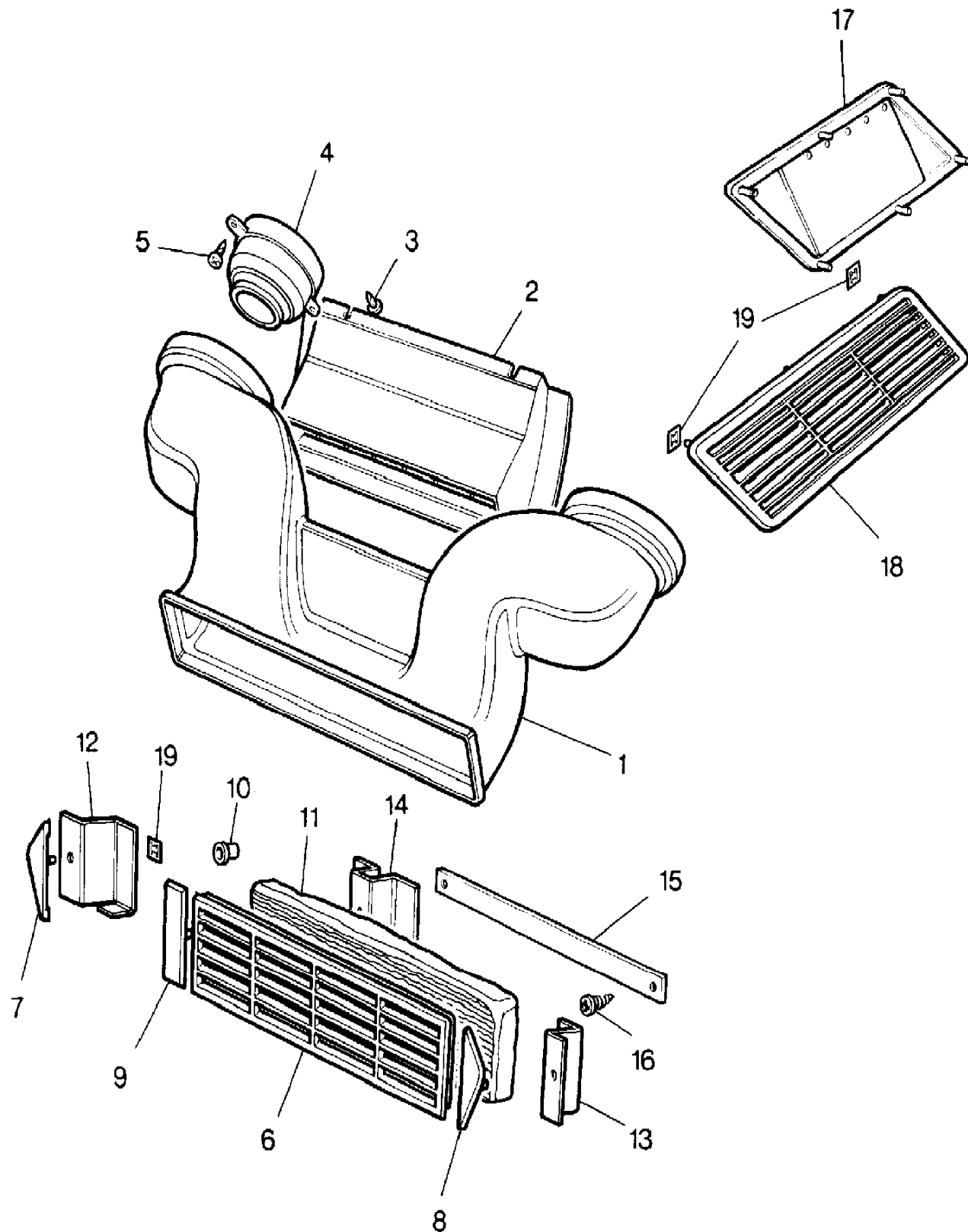
Range Rover (To HA610293)

(N215A)

Range Rover (To HA610293)

Cooling & Heating
 Heating System
 Fresh Air System

Callout	Name	Application	Remarks & Restrictions	Service No.	Qty
1	Duct assembly-fresh air			390693	1
2	Duct assembly-facia			390545	1
3	Screw			78655	2
4	Duct assembly-facia			391306	2
5	Screw		6 x 3/8	79027	4
6	Grille assembly-front			390607	3
7	Capping		RH	390608	1
8	Capping		LH	390609	1
9	Capping		RH	390610	2
10	Stud			AFU3075	4
11	Padding			MXC3910	3
12	Bracket-fuel filter support		RH	391236	1
13	Bracket assembly-air cleaner		LH	391237	1
14	Bracket-fuel filter support			391235	3
15	Strip-sealing			392202	3
16	Screw		Self Tapping, No 8 x 3/8	AB608031L	6
17	Vent-air extractor		RH, Inner Inner, LH	MUC2180 MUC2181	1 1
18	Vent-air extractor		RH, Gloss Gloss, LH RH, Matt Matt, LH	390515 390516 RTC6698 RTC6699	1 1 1 1
19	Clip			PFS104L	30



Cooling & Heating
Heating System
Heater-From (V) DA274121 (2DR) & DA273923 (4DR) To FA399972 1/2

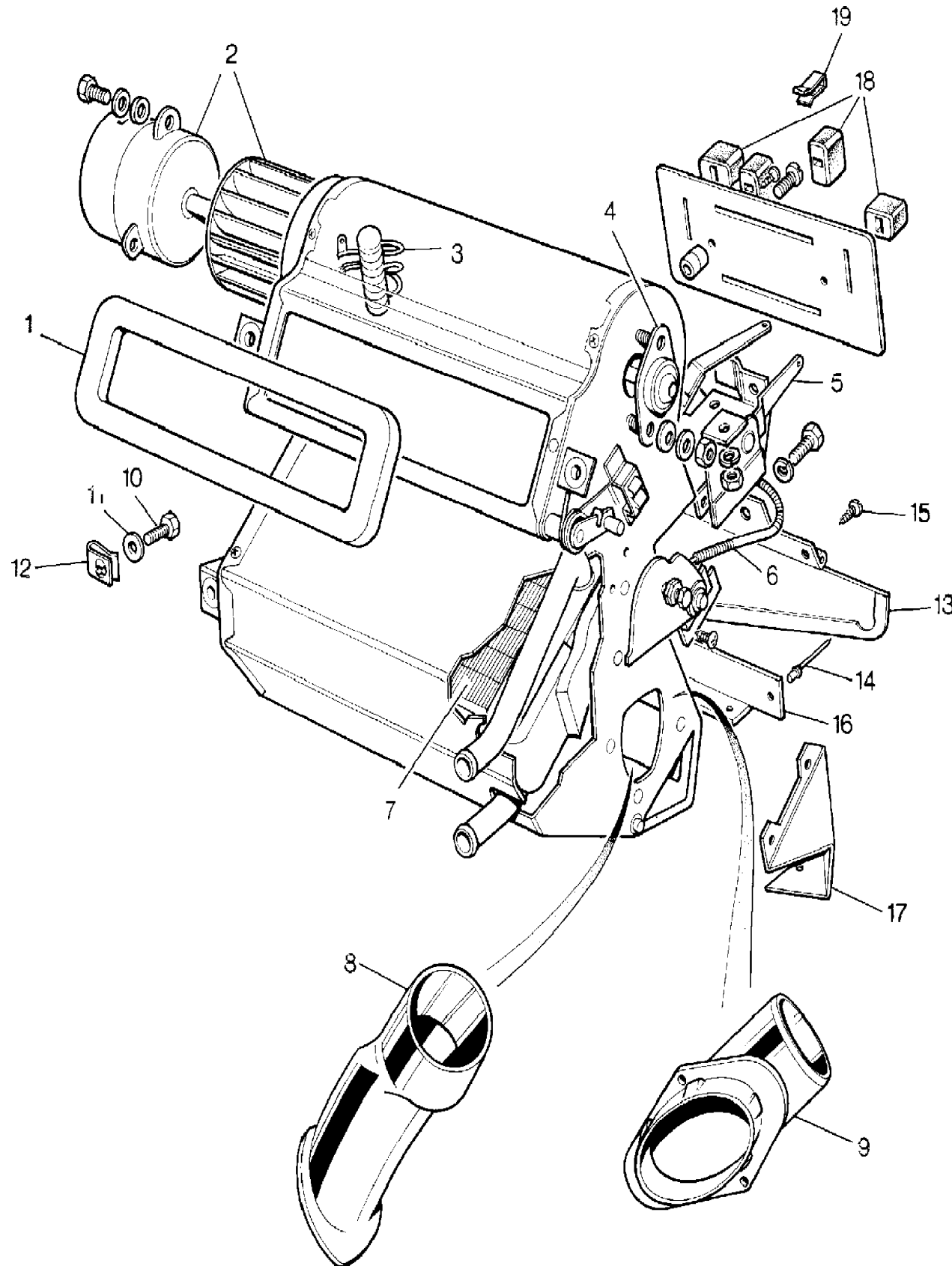
Range Rover (To HA610293)

(TS5600)

Range Rover (To HA610293)

Heater-From (V) DA274121 (2DR) & DA273923 (4DR) To FA399972

Cooling & Heating
Heating System



Callout	Name	Application	Remarks & Restrictions	Service No.	Qty
1	Heater assembly	Change point - VIN begin DA273923, Change point - VIN end GA399972	Also serviced as part of a kit	MXC2102	1
2	Seal	Change point - VIN begin DA273923, Change point - VIN end GA399972	Also serviced as part of a kit	369294	1
3	Motor and rotor assembly	Change point - VIN begin DA273923, Change point - VIN end GA399972	Also serviced as part of a kit	RTC6680	1
4	Resistor Assy	Change point - VIN begin DA273923, Change point - VIN end GA399972	Also serviced as part of a kit	RTC5602	1
5	Bearing-heater	Change point - VIN begin DA273923, Change point - VIN end GA399972	Also serviced as part of a kit	RTC4245	1
6	Actuator-vacuum blower-heater	Change point - VIN begin DA273923, Change point - VIN end GA399972	Also serviced as part of a kit	RTC5603	1
7	Solenoid-vacuum blower-heater	Change point - VIN begin DA273923, Change point - VIN end GA399972	Also serviced as part of a kit	RTC5637	1
8	Matrix-heater	Change point - VIN begin DA273923, Change point - VIN end EA344071 Change point - VIN begin EA344072, Change point - VIN end GA399972	Also serviced as part of a kit Also serviced as part of a kit	606923 RTC6366	1 1
9	Lever assembly blower-heater	Change point - VIN begin DA273923, Change point - VIN end GA399972	Also serviced as part of a kit	RTC5607	1
10	Harness-link	Change point - VIN begin DA273923, Change point - VIN end GA399972	Also serviced as part of a kit	RTC5755	1
11	Duct-demist windscreen	Change point - VIN begin DA273923, Change point - VIN end GA399972	Also serviced as part of a kit	MUC6191	1
12	Duct-demist windscreen	Change point - VIN begin DA273923, Change point - VIN end GA399972	Also serviced as part of a kit	RTC1172	1
13	Switch-slide heat/fan control	Change point - VIN begin DA273923, Change point - VIN end GA399972	Also serviced as part of a kit, 4 position	PRC5436	1
14	Switch-rotary heat/fan control	Change point - VIN begin DA273923, Change point - VIN end GA399972, Less Air Conditioning	2 position	PRC6314	1

Cooling & Heating
Heating System
Heater-From (V) DA274121 (2DR) & DA273923 (4DR) To FA399972 2/2

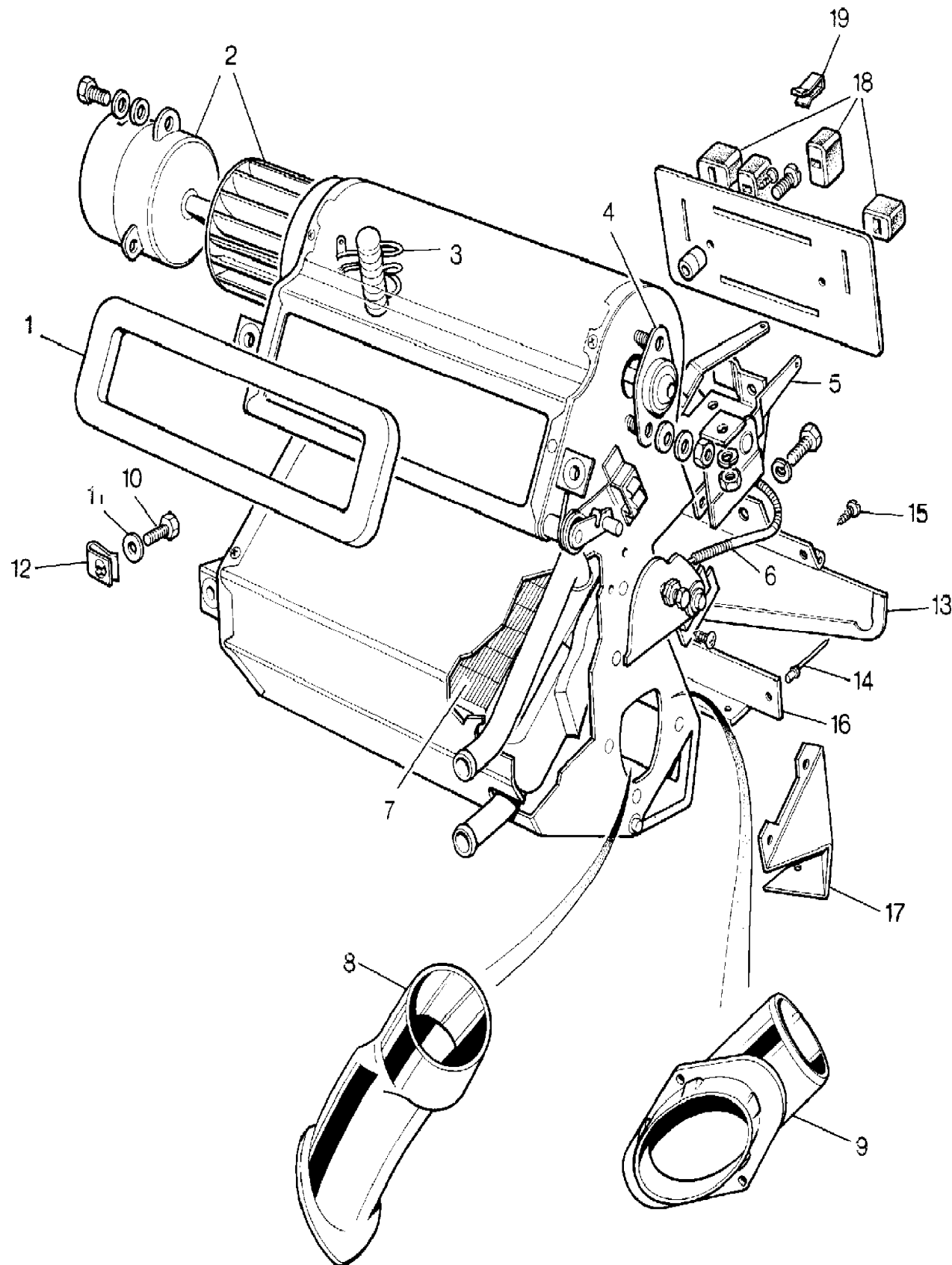
Range Rover (To HA610293)

(TS5600)

Range Rover (To HA610293)

Heater-From (V) DA274121 (2DR) & DA273923 (4DR) To FA399972

Cooling & Heating
Heating System



Callout	Name	Application	Remarks & Restrictions	Service No.	Qty
14	Switch-rotary heat/fan control	Change point - VIN begin DA274121, Change point - VIN end EA351031, With Air Conditioning		PRC5435	1
15	Screw	Change point - VIN begin DA273923, Change point - VIN end GA399972	M6 X 16	SE106161L	2
16	Washer	Change point - VIN begin DA273923, Change point - VIN end GA399972	6MM	WA106041L	2
17	Knob-control heater	Change point - VIN begin DA273923, Change point - VIN end GA399972		MUC6347	5
18	Clip	Change point - VIN begin DA273923, Change point - VIN end GA399972		MUC6529	5
19	Screw	Change point - VIN begin DA273923, Change point - VIN end GA399972	Self Tapping, No 6 x 3/8	AB606031L	6
20	Nut-spring-J type	Change point - VIN begin DA273923, Change point - VIN end GA399972		79039	6
21	Duct-air outlet foot	Change point - VIN begin DA273923, Change point - VIN end GA399972	RH	MXC1424	1
		Change point - VIN begin DA273923, Change point - VIN end GA399972	LH	MXC1425	1
22	Clip	Change point - VIN begin DA273923, Change point - VIN end GA399972		RTC5984	5
[900]	Rivet-pop-aluminium	Change point - VIN begin DA273923, Change point - VIN end GA399972	Also serviced as part of a kit	RA610123	1

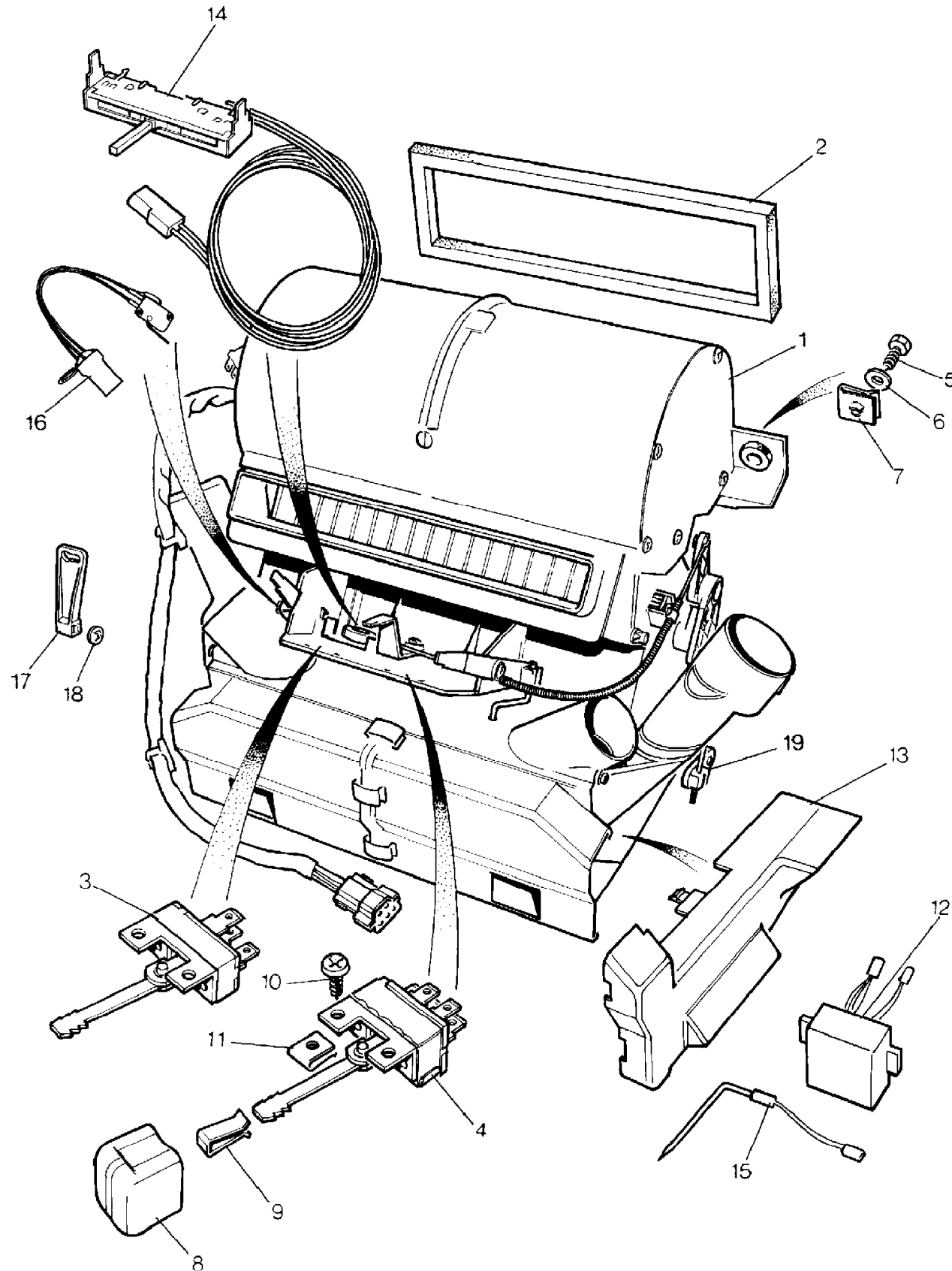
Cooling & Heating
Heating System
Heater-From (V) GA399973 1/2

Range Rover (To HA610293)

(TS6812A)

Range Rover (To HA610293)

Cooling & Heating
Heating System
Heater-From (V) GA399973



Callout	Name	Application	Remarks & Restrictions	Service No.	Qty
1	Heater assembly	Change point - VIN begin GA399973	Also serviced as part of a kit	BTR4220	1
2	Seal air intake	Change point - VIN begin GA399973, Change point - VIN end JA616110	Also serviced as part of a kit	MXC6889	1
		Change point - VIN begin JA616111	Also serviced as part of a kit	BTR3761	1
3	Matrix-heater	Change point - VIN begin GA399973, Change point - VIN end JA616110	Also serviced as part of a kit	RTC6593	1
		Change point - VIN begin JA616111	Also serviced as part of a kit	STC770	1
4	Switch-rotary heat/fan control	Change point - VIN begin GA399973	2 position	PRC6314	1
5	Screw	Change point - VIN begin GA399973	M8	MXC6676	4
6	Washer	Change point - VIN begin GA399973	M8	WC108051L	4
7	Nut-spring-u type	Change point - VIN begin GA399973		AK616011	4
9	Clip	Change point - VIN begin GA399973		MUC6529	5
10	Screw	Change point - VIN begin GA399973	Self Tapping, No 6 x 3/8	AB606031L	6
11	Nut-spring-J type	Change point - VIN begin GA399973		79039	6
12	Thermostat evaporator-air conditioning	Change point - VIN begin GA399973		MXC5706	1
13	Duct-air outlet foot	Change point - VIN begin GA399973, Change point - VIN end GA464271	RH	MXC5554	1
		Change point - VIN begin GA399973, Change point - VIN end GA464271	LH	MXC5555	1
		Change point - VIN begin GA464272	RH	BTR458	1
		Change point - VIN begin GA464272	LH	BTR457	1
14	Potentiometer-air con	Change point - VIN begin GA399973		MXC5705	1
15	Sensor-thermostat air conditioning	Change point - VIN begin GA399973		MXC5707	1
16	Switch assembly-vacuum control-heater	Change point - VIN begin GA399973		PRC8155	1

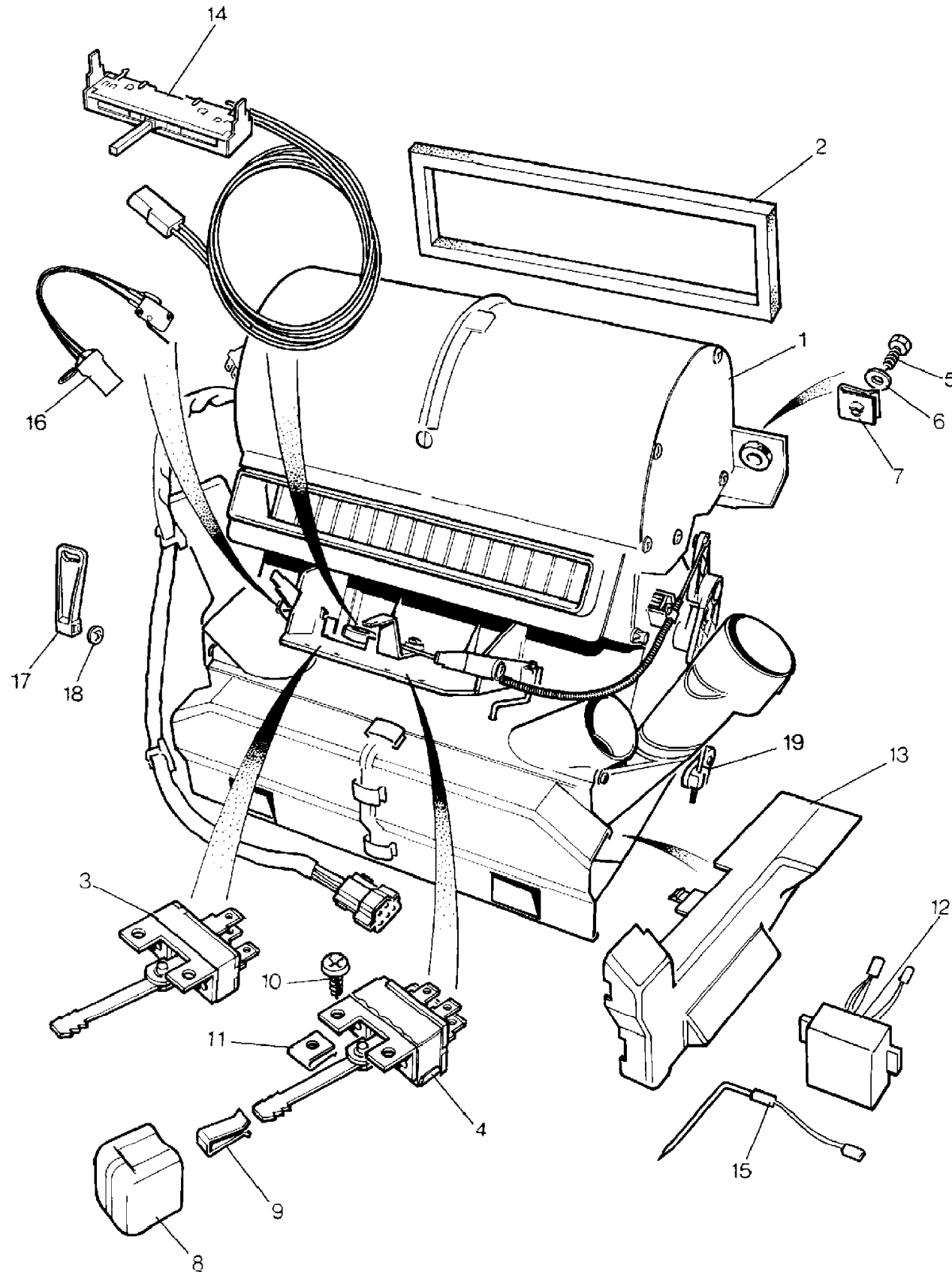
Cooling & Heating
 Heating System
 Heater-From (V) GA399973 2/2

Range Rover (To HA610293)

(TS6812A)

Range Rover (To HA610293)

Cooling & Heating
 Heating System
 Heater-From (V) GA399973



Callout	Name	Application	Remarks & Restrictions	Service No.	Qty
17	Harness-link	Change point - VIN begin GA399973		MXC5683	1
18	Clip	Change point - VIN begin GA399973		MXC7656	1
19	Clip-case-heater heater	Change point - VIN begin GA399973		STC490	1
[901]	Motor & fan balance assembly blower-heater	Change point - VIN begin GA399973	Also serviced as part of a kit, with resistor	RTC6693	1
[902]	Cable-control mode control-heater	Change point - VIN begin GA399973	Also serviced as part of a kit	RTC6695	1
[903]	Solenoid-vacuum blower-heater	Change point - VIN begin GA399973	Also serviced as part of a kit	RTC6697	1
[904]	Lever assembly blower-heater	Change point - VIN begin GA399973	Also serviced as part of a kit	STC550	1
[905]	Actuator-vacuum blower-heater	Change point - VIN begin GA399973	Also serviced as part of a kit	RTC6696	1

Cooling & Heating
Heating System
Heater-To (V) CA274120 (2DR) & CA273922 (4DR) 1/2

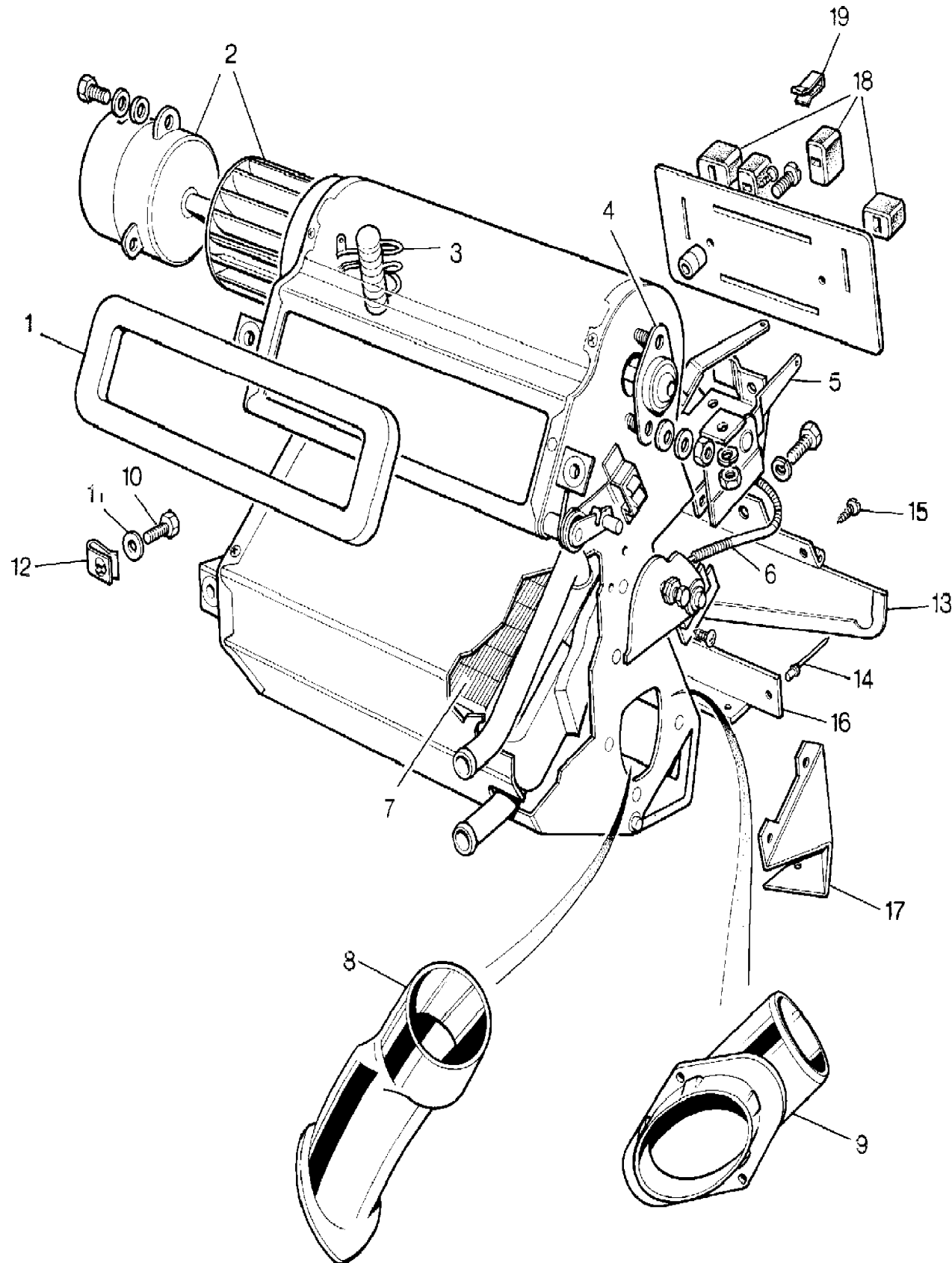
Range Rover (To HA610293)

(TS5600)

Range Rover (To HA610293)

Heater-To (V) CA274120 (2DR) & CA273922 (4DR)

Cooling & Heating
Heating System



Callout	Name	Application	Remarks & Restrictions	Service No.	Qty
1	Seal	Change point - VIN end CA274120	Also serviced as part of a kit	369294	1
2	Motor and rotor assembly	Change point - VIN end CA274120	Also serviced as part of a kit	RTC6680	1
3	Resistor Assy	Change point - VIN end CA274120	Also serviced as part of a kit	606924	1
4	Bearing-heater	Change point - VIN end CA274120	Also serviced as part of a kit	RTC4245	1
5	Lever assembly blower-heater	Change point - VIN end CA274120	Also serviced as part of a kit	RTC4242	1
6	Harness-link	Change point - VIN end CA274120	Also serviced as part of a kit	RTC5755	1
7	Matrix-heater	Change point - VIN end CA274120	Also serviced as part of a kit	606923	1
8	Duct-demist windscreen	Change point - VIN end CA274120	Also serviced as part of a kit	MUC6191	1
9	Duct-demist windscreen	Change point - VIN end CA274120	Also serviced as part of a kit	RTC1172	1
10	Screw-hexagon socket	Change point - VIN end CA274120		AM605088	4
11	Washer-Plain	Change point - VIN end CA274120		3966L	4
12	Nut-spring-u type	Change point - VIN end CA274120		AK616011	4
13	Plate-baffle	Change point - VIN end CA274120		MTC7539	1
14	Rivet	Change point - VIN end CA274120		RA607076	5
15	Screw	Change point - VIN end CA274120		78770	3
16	Plate	Change point - VIN end CA274120		MTC7540	1
17	Plate-baffle	Change point - VIN end CA274120	RH	391535	1
		Change point - VIN end CA274120	LH	391536	1
18	Knob-control heater	Change point - VIN end CA274120		MUC6347	4
19	Clip	Change point - VIN end CA274120		MUC6529	4

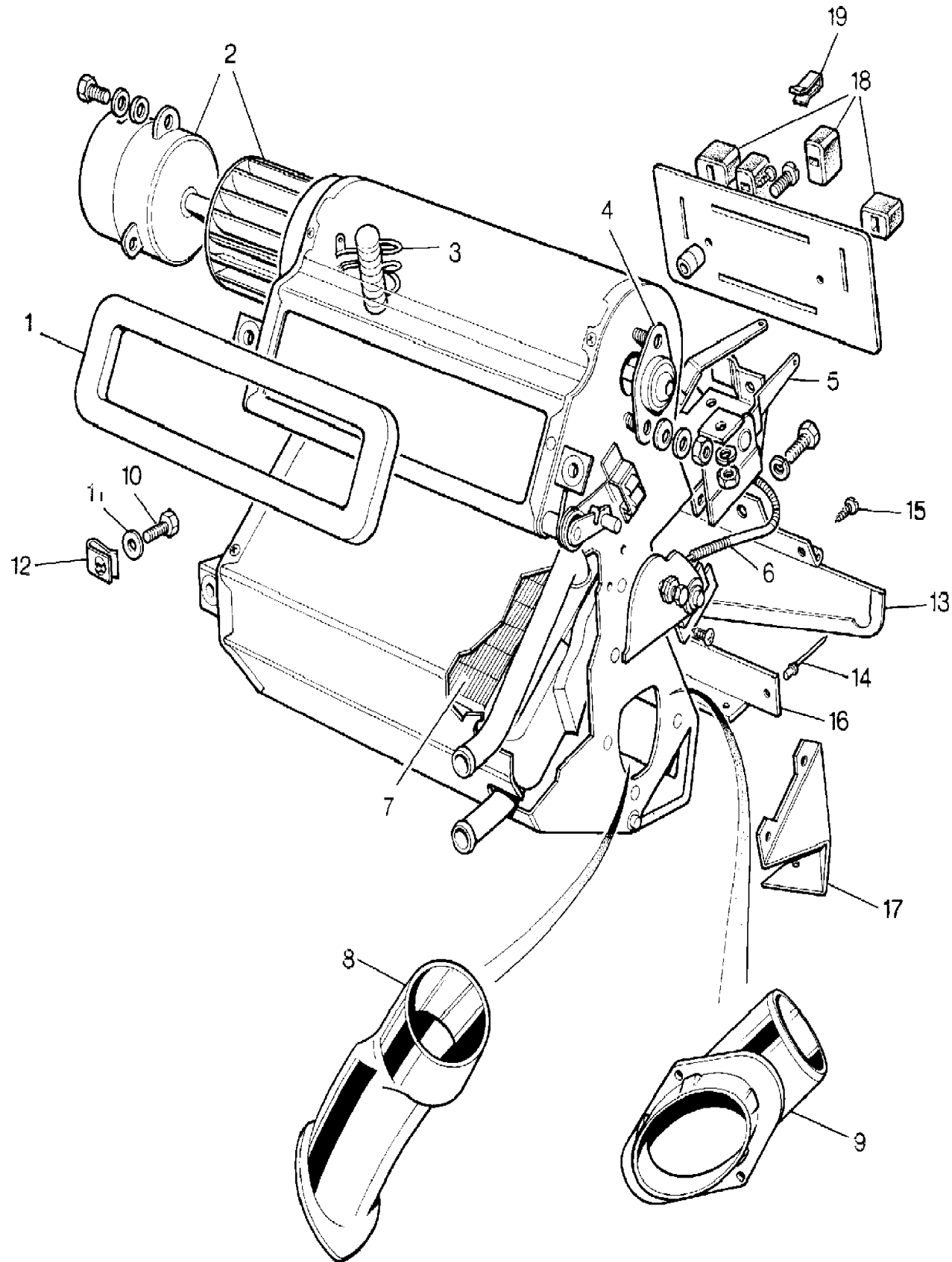
Cooling & Heating
 Heating System
 Heater-To (V) CA274120 (2DR) & CA273922 (4DR) 2/2

Range Rover (To HA610293)

(TS5600)

Range Rover (To HA610293)

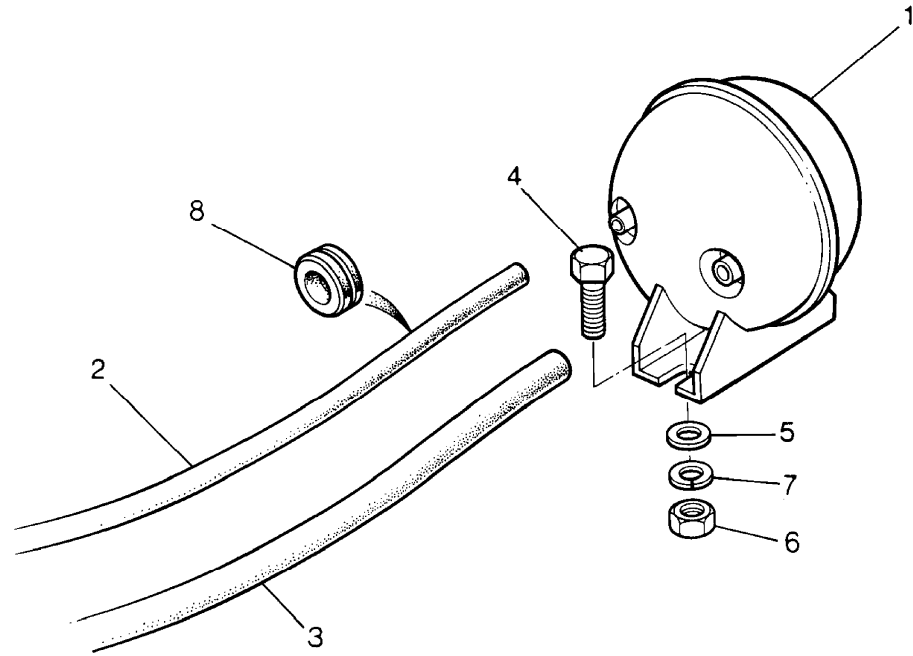
Cooling & Heating
 Heating System
 Heater-To (V) CA274120 (2DR) & CA273922 (4DR)



Callout	Name	Application	Remarks & Restrictions	Service No.	Qty
20	Clip	Change point - VIN end CA274120		RTC5984	5
[900]	Heater assembly	Change point - VIN end CA274120	Also serviced as part of a kit	MUC4144	1

Cooling & Heating
Heating System
Vacuum Tank & Hoses 1/1

Range Rover (To HA610293)
(TS6254B)



TS6254/B
X Please
Draw
Name

Range Rover (To HA610293)

Cooling & Heating
Heating System
Vacuum Tank & Hoses

Callout	Name	Application	Remarks & Restrictions	Service No.	Qty
1	Vacuum tank	Change point - VIN begin DA273923		MUC1679	1
2	Pipe-vacuum heater	Change point - VIN begin DA273923, With Petrol Engines Change point - VIN end DA281664, With Diesel Engines		MWC3086 MWC3087	1 1
3	Pipe-vacuum heater	Change point - VIN begin DA273923, With Petrol Engines Change point - VIN end DA281664, With Diesel Engines		MWC3088 MWC3089	1 1
4	Screw	Change point - VIN begin DA273923	Vacuum Tank, M6 X 16	SE106161L	2
5	Washer	Change point - VIN begin DA273923	Vacuum Tank, 6MM	WA106041L	2
6	Washer-Spring	Change point - VIN begin DA273923	Vacuum Tank, 6MM	WL106041	2
7	Nut - Hex.	Change point - VIN begin DA273923	Vacuum Tank, M6, nyloc, Hexagonal	NH106041L	2
8	Grommet-vacuum hose	Change point - VIN begin DA273923		MWC9947	1