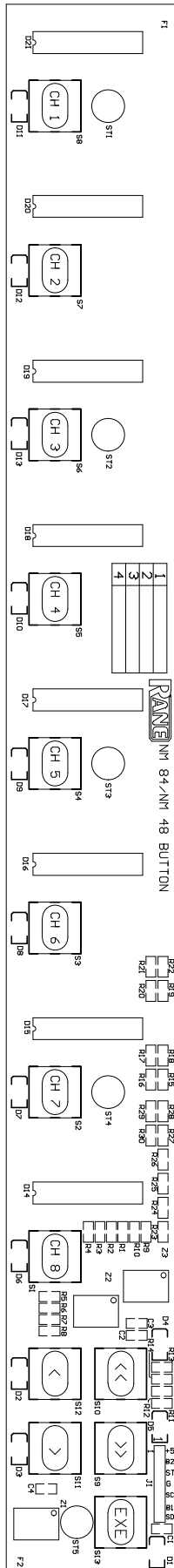
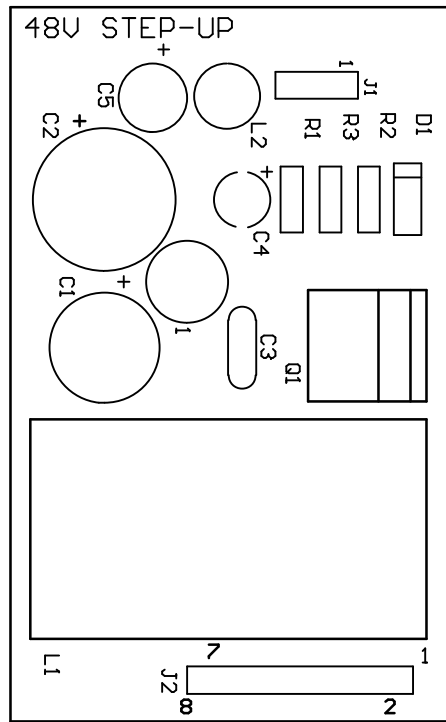
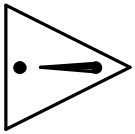


Rane Corp. (425)355-6000
 102610 DES: CONVERTER, NM 84
 ACTION: NEW PRODUCT RWJ 12JAN00



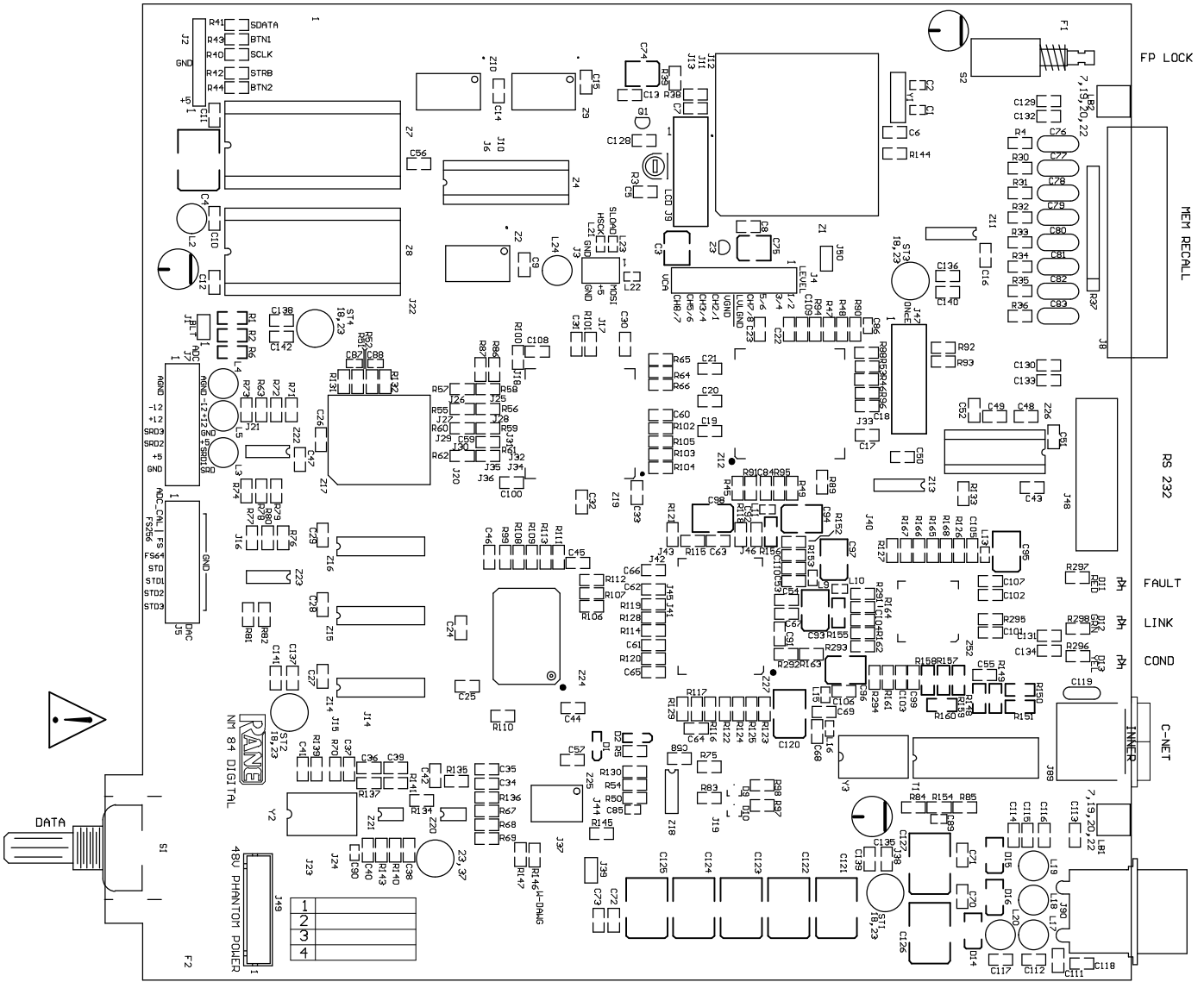
Rane Corp. (425)355-6000
 105242 DES: BUTTON NM 84
 ACTION: MANY PARTS MOVED, WAS 102625 SKH 3JUL01



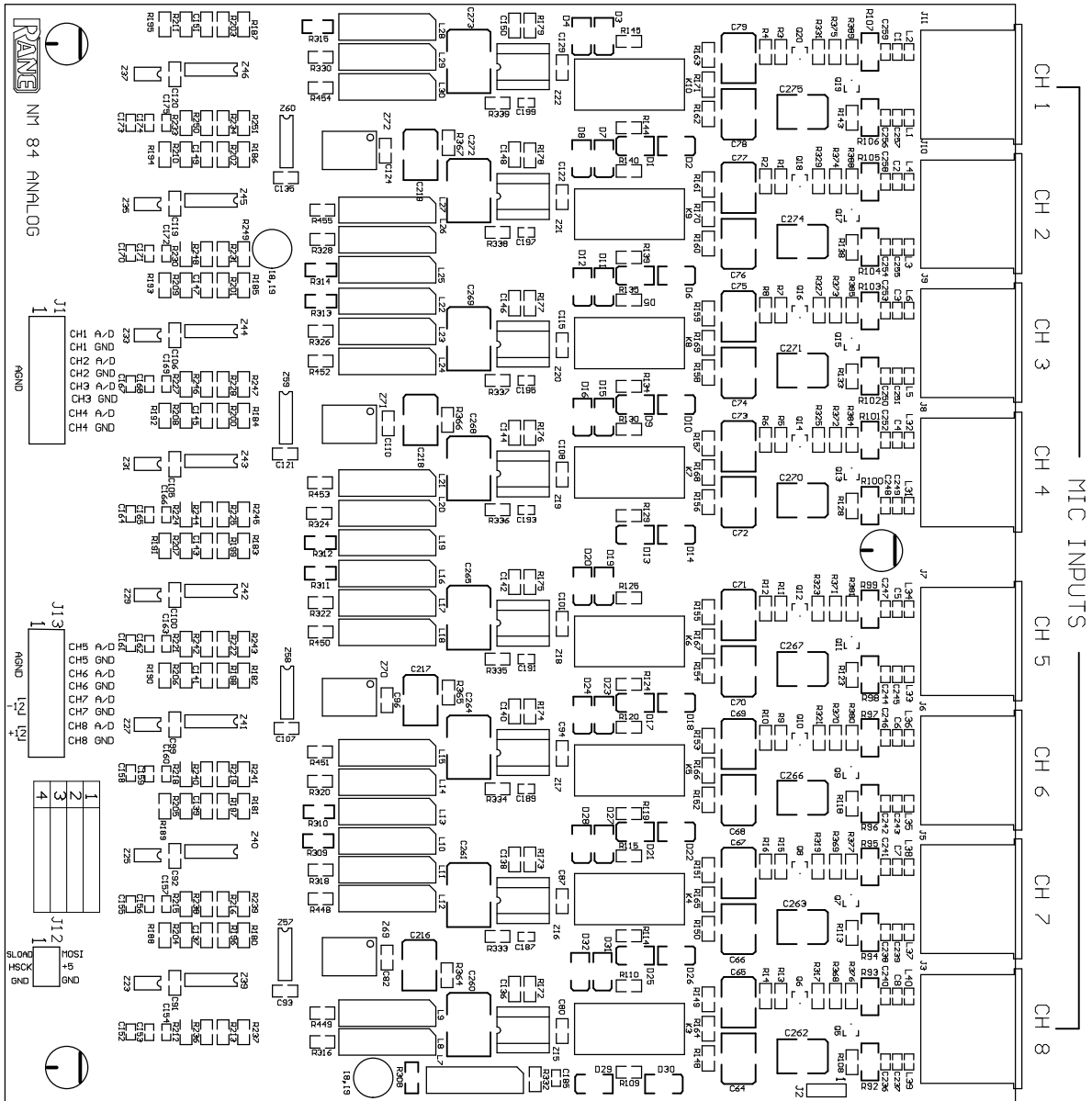
Rane Corp. (425)355-6000

103009 DES: 48V STEP-UP NM 84 SHEET 1 OF 2

ACTION: NEW PRODUCT RWJ 17JAN00

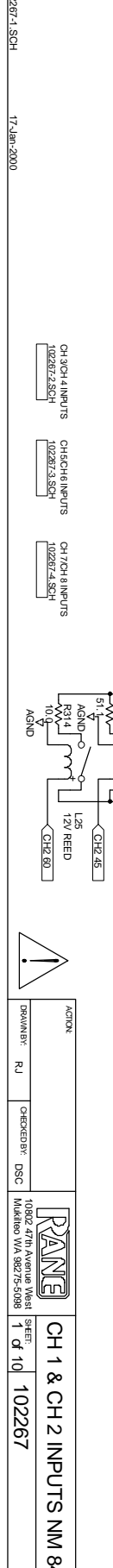
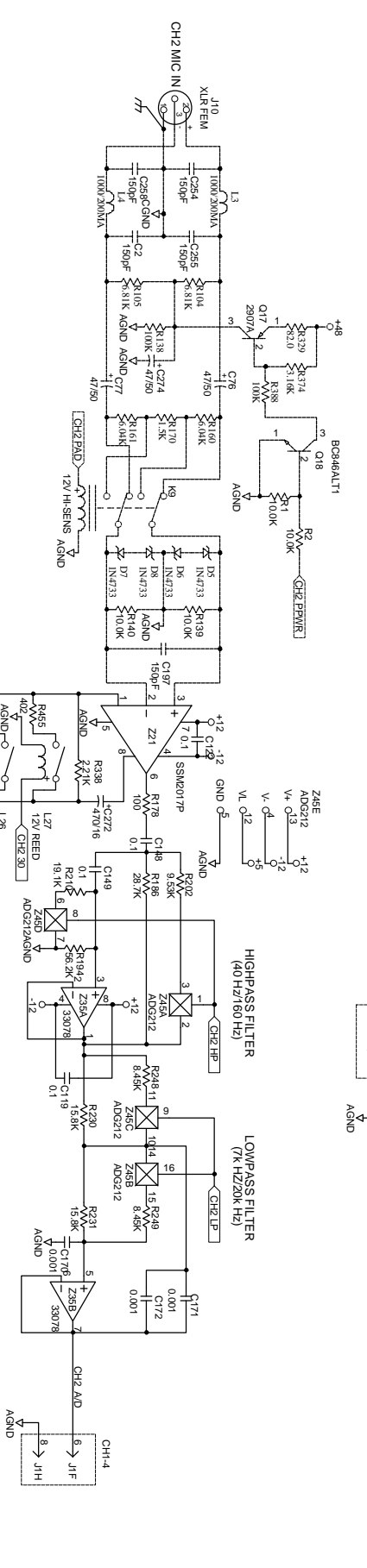
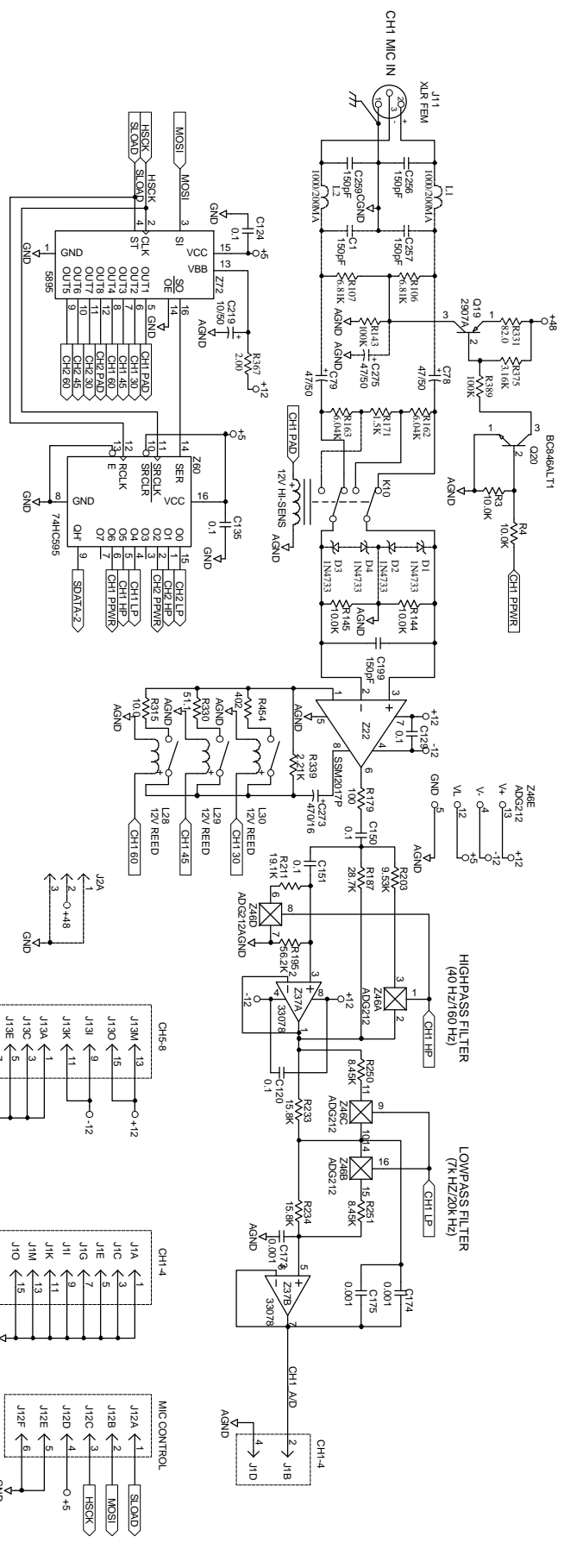


Rane Corp. (425)355-6000
 102574 DES: DIGITAL, NM 84 SHEET 1 OF 2
 ACTION: NEW PRODUCT RWJ 14JAN00



Rane Corp. (425)355-6000
 102487 DES ANALOG NM 84 SHEET 1 OF 2
 ACTION: NEW PRODUCT RWJ 8JUL99





CH 3/4 INPUTS
102267-2.SCH

CH 5/6 INPUTS
102267-3.SCH

CH 7/8 INPUTS
102267-4.SCH



ACTION

DRAWN BY: RJ

CHECKED BY: DSC

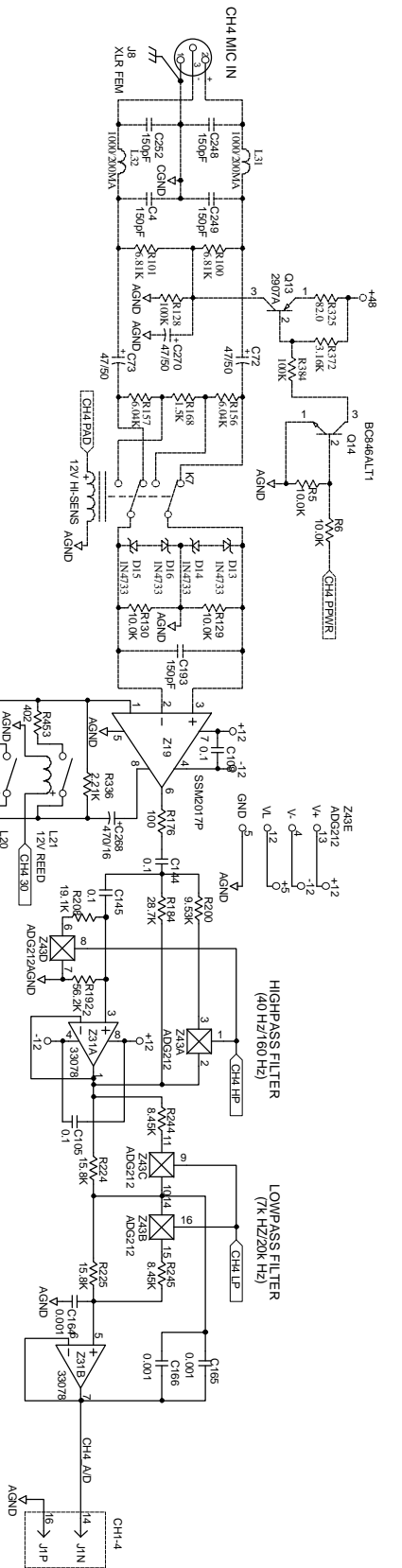
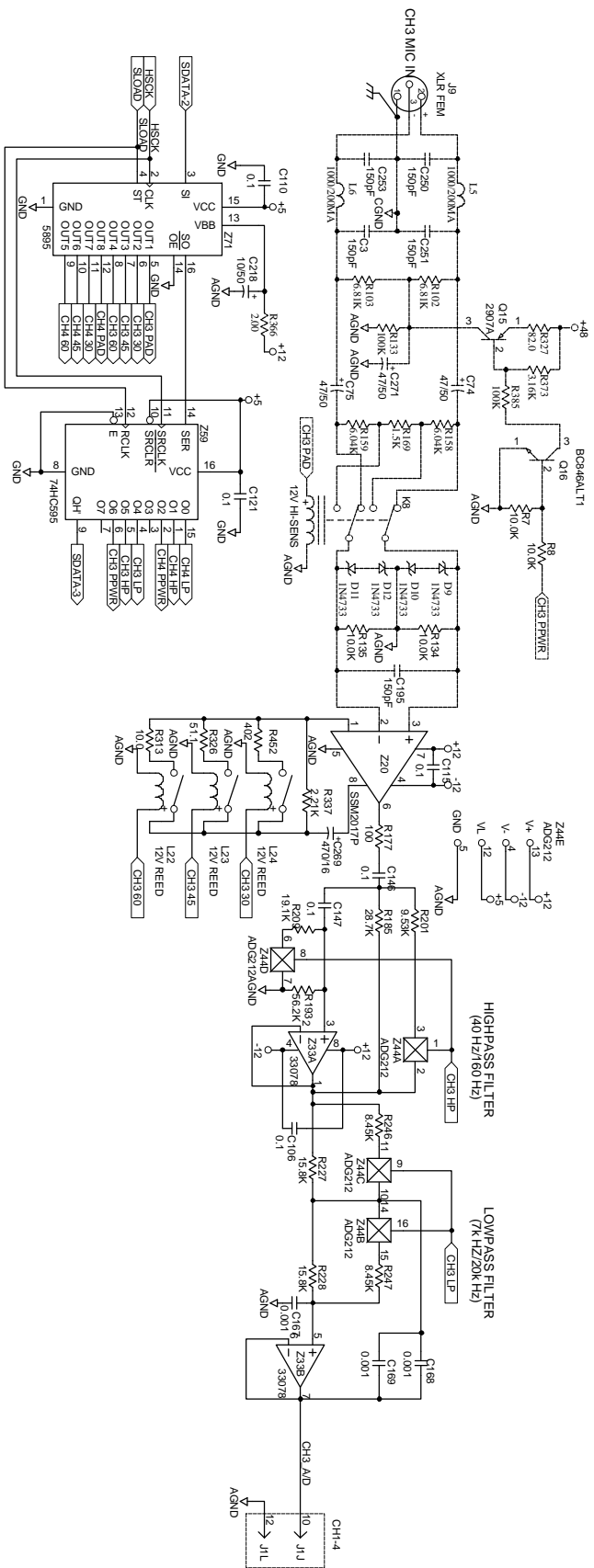


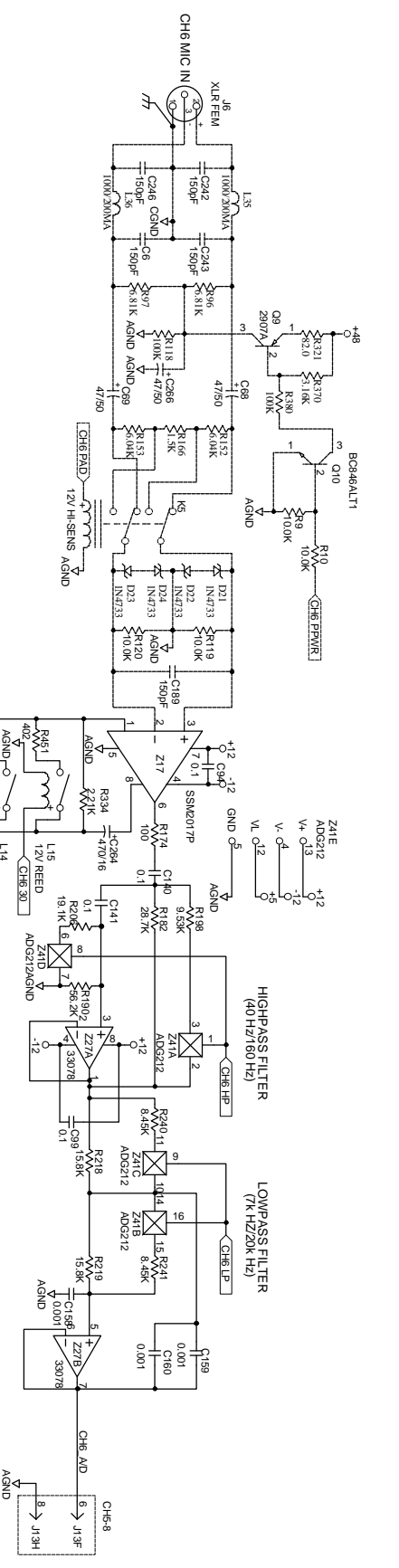
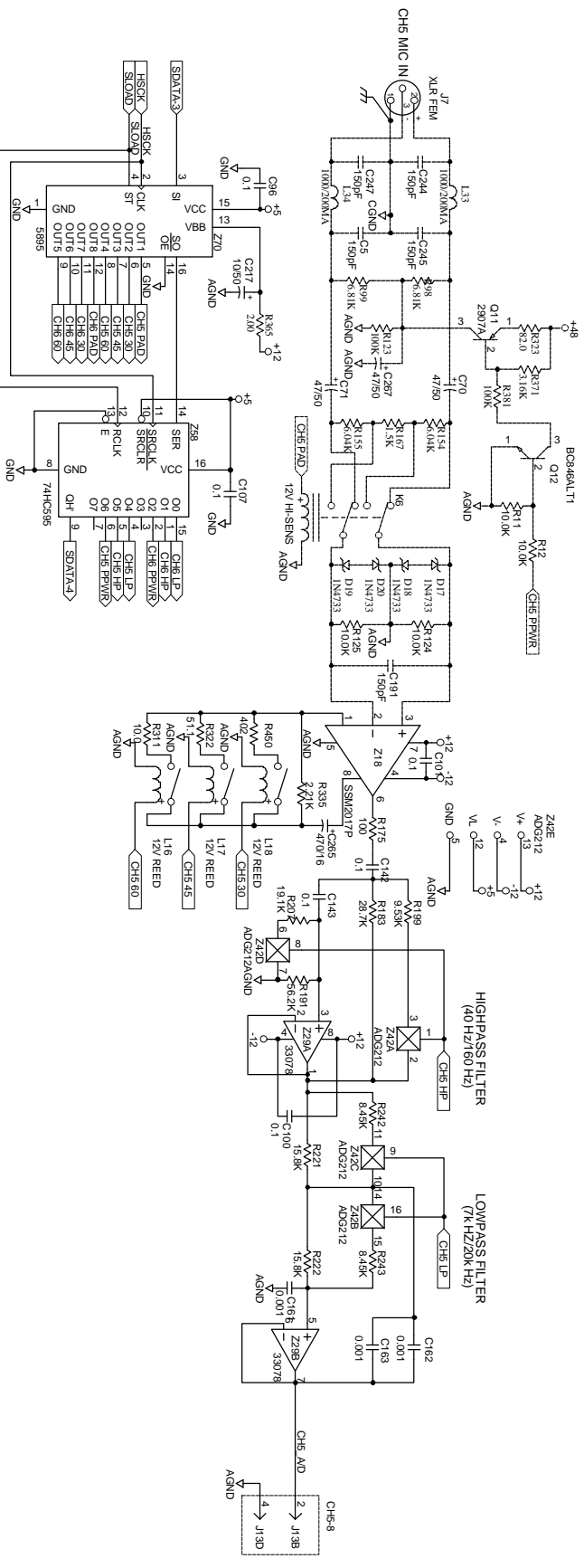
10802-47th Avenue West
Mankato, MN 56001
5088

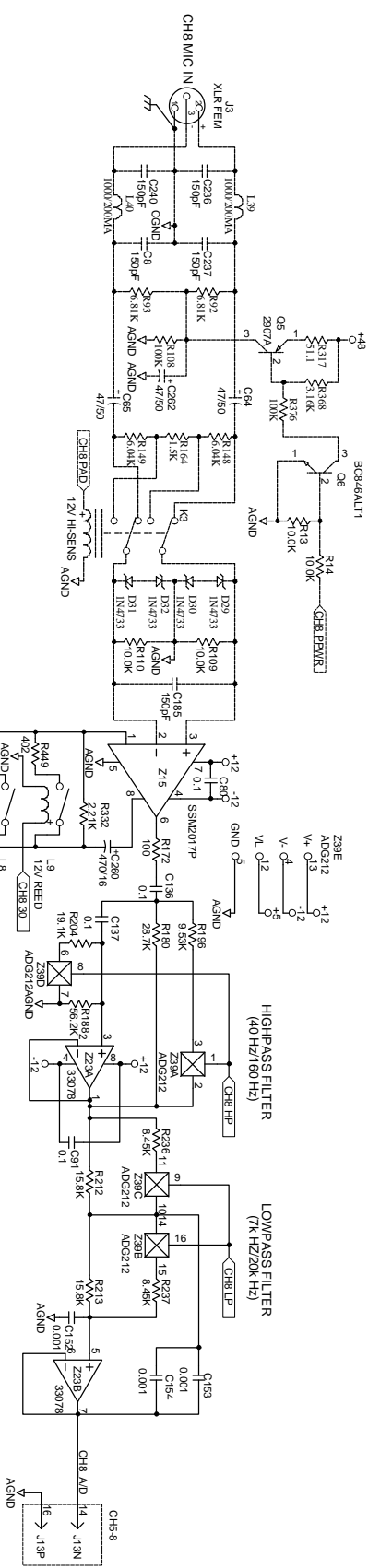
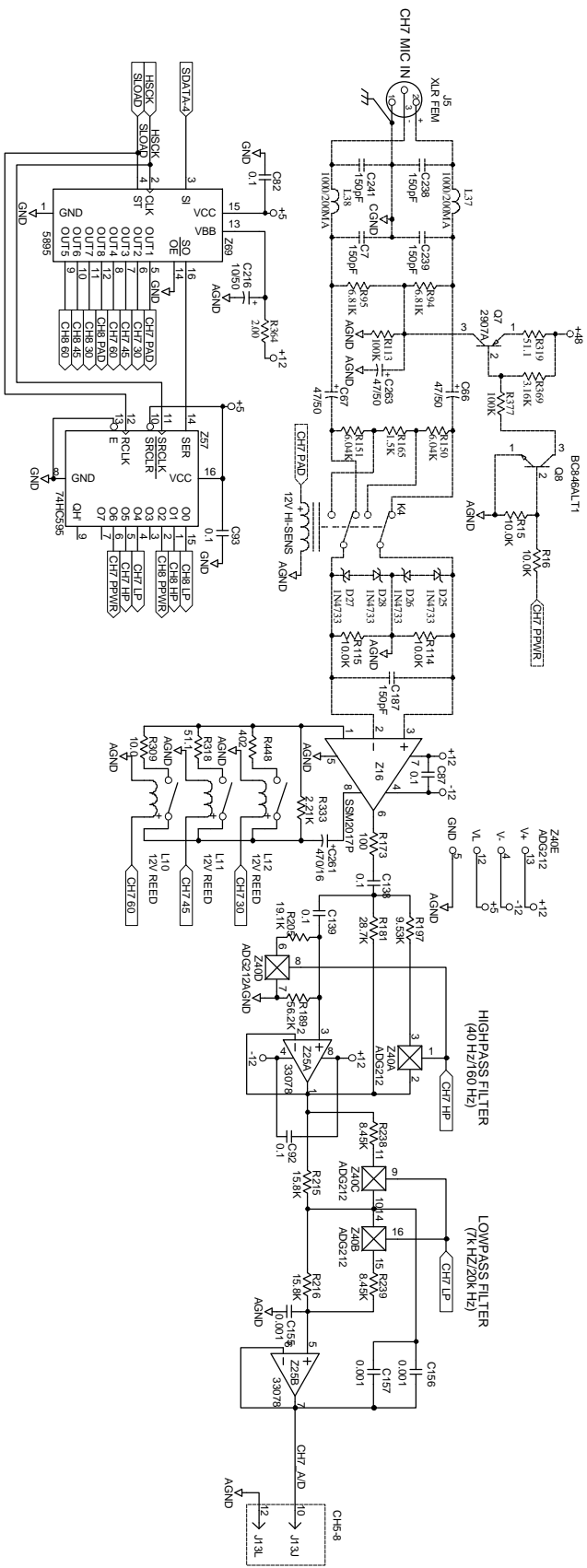
CH 1 & CH 2 INPUTS NM 84

SHEET 1 of 10

102267





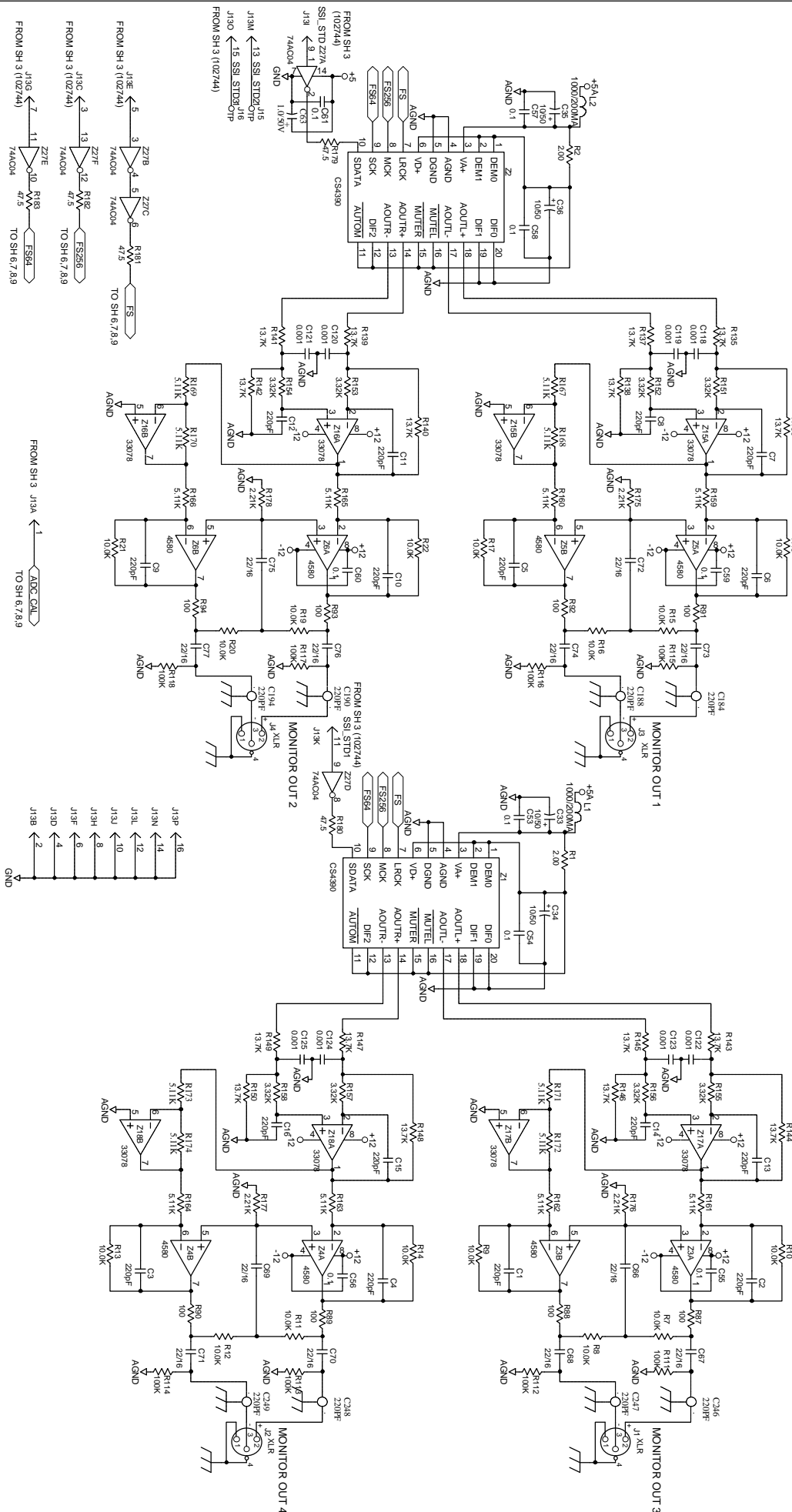


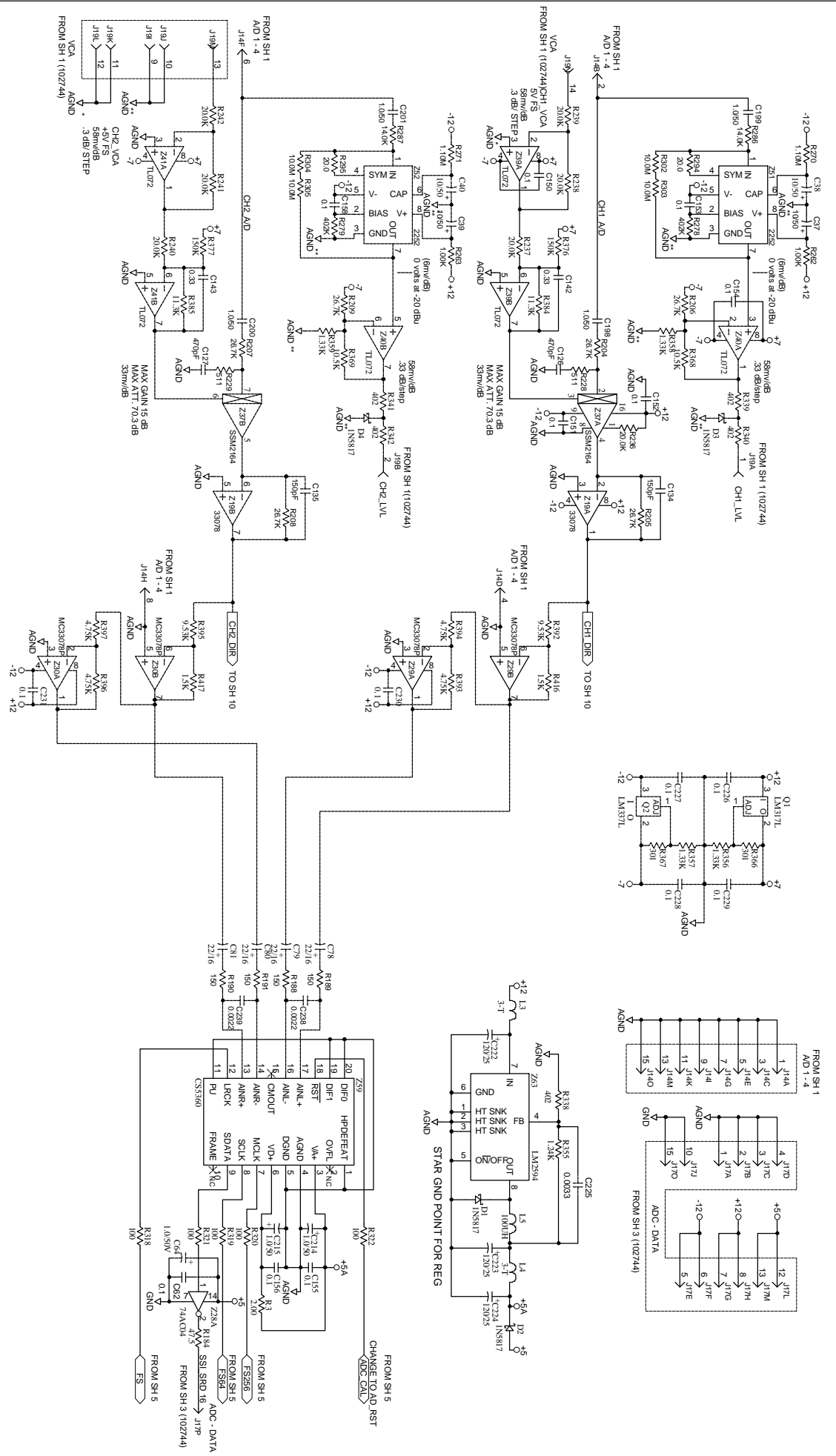
ADCON
 GRW:WBV RJ
 CHECKED BY: DSC

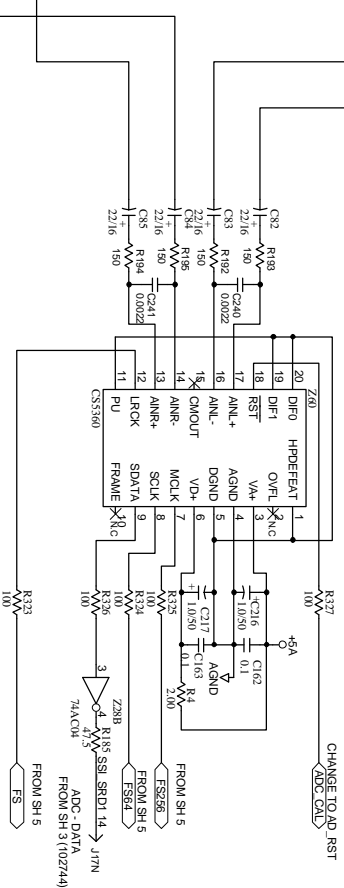
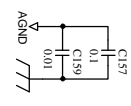
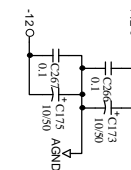
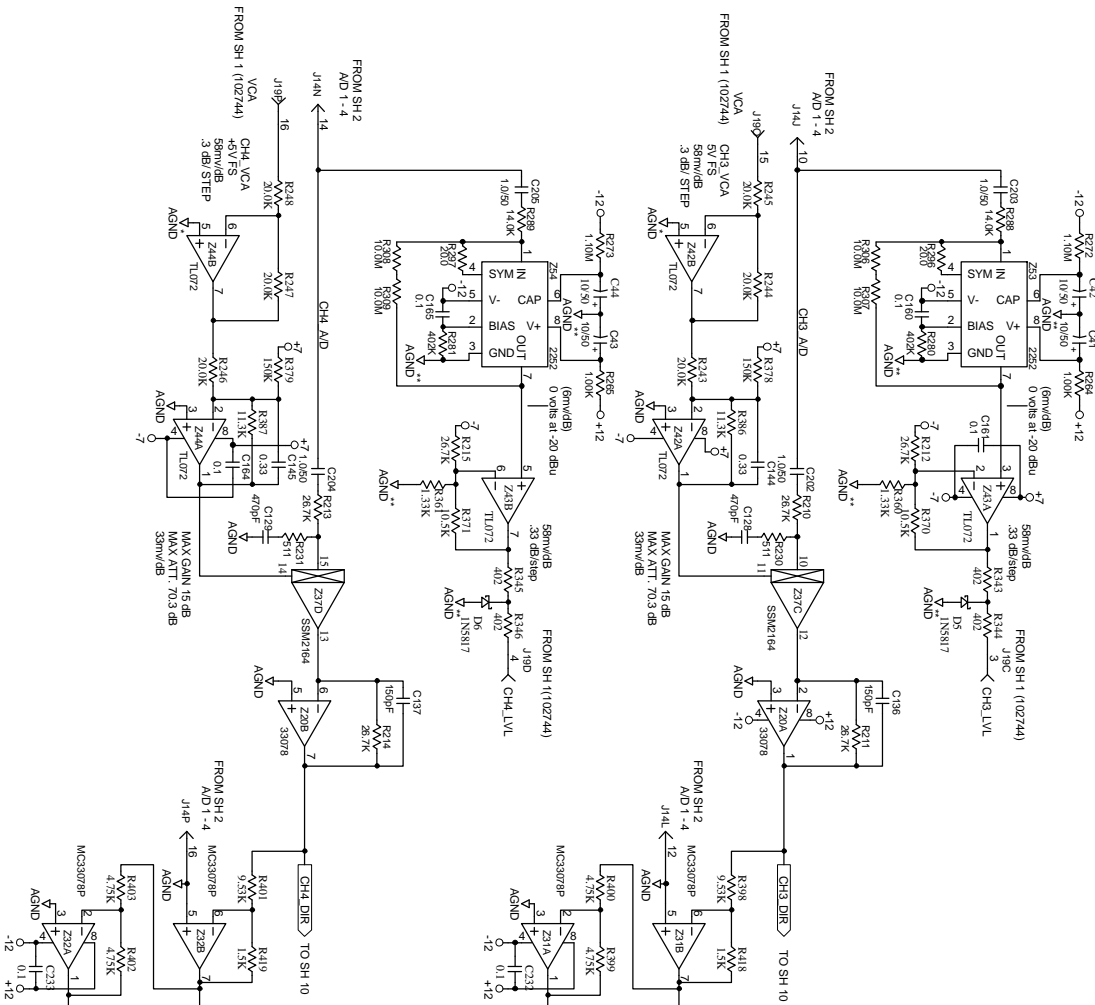


10002 47th Avenue W481
 Mukilteo WA 98275-5098
 SHEET: 4 of 10
 102267

CH 7 & CH 8 INPUTS NM 84







AGND

GRABWB

CHECKED BY:

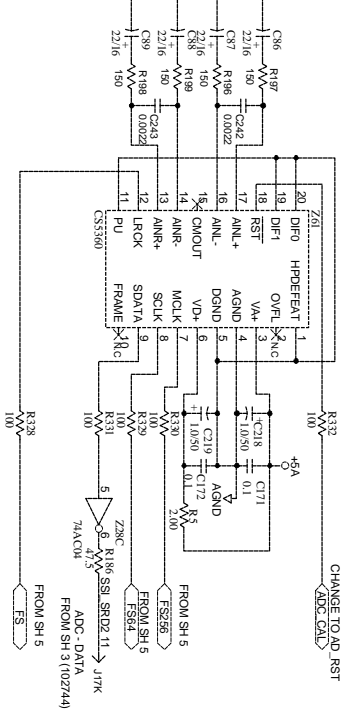
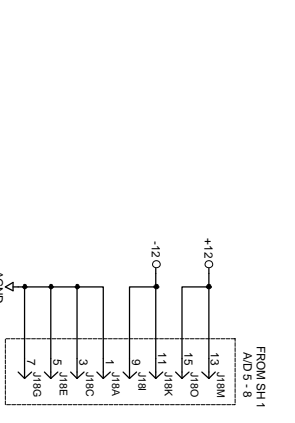
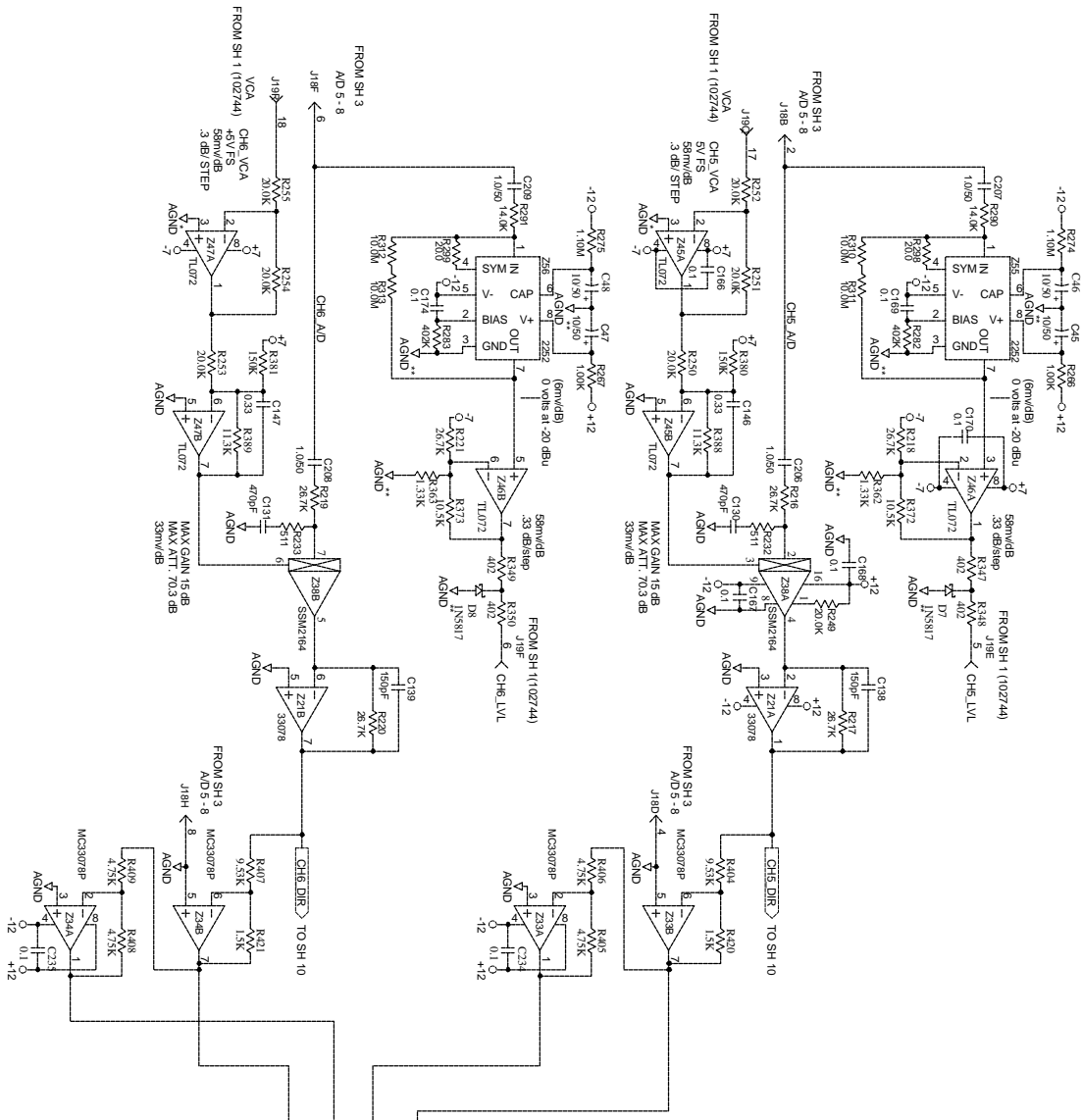
RANE

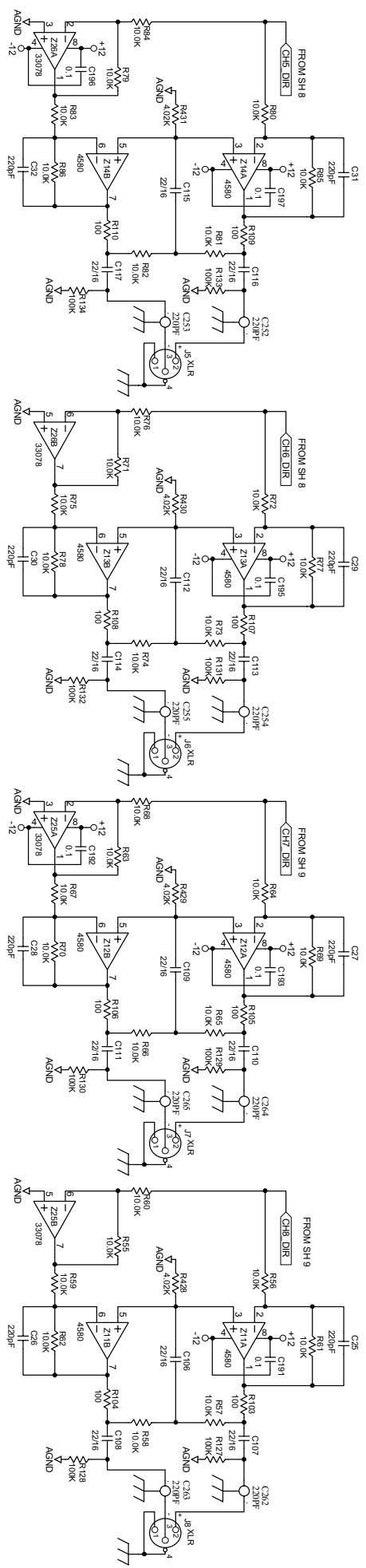
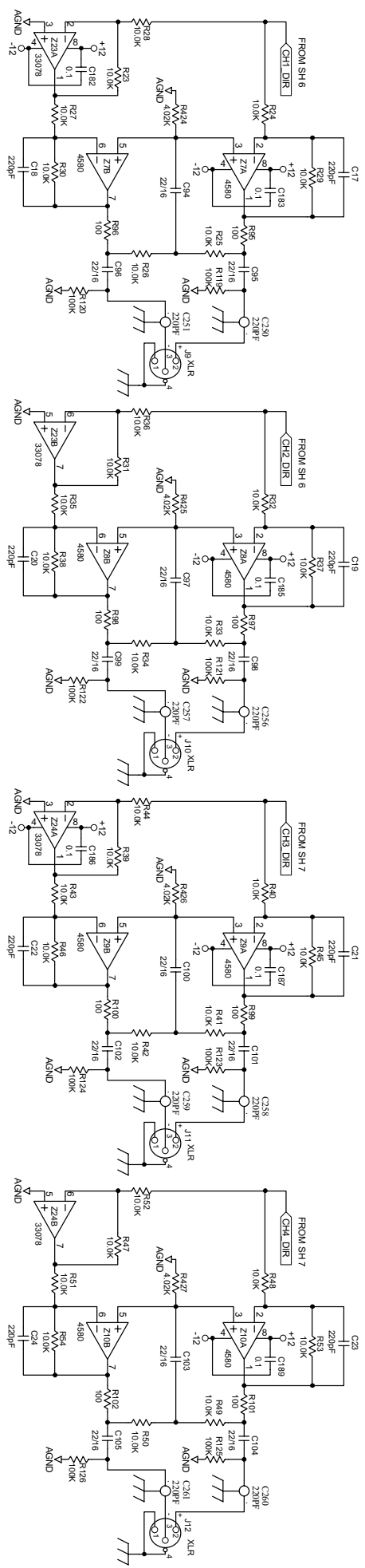
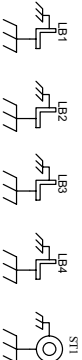
10802 47th Avenida W404
Mankato, MN 56001

CH 3 & CH 4 A/D NM 84

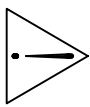
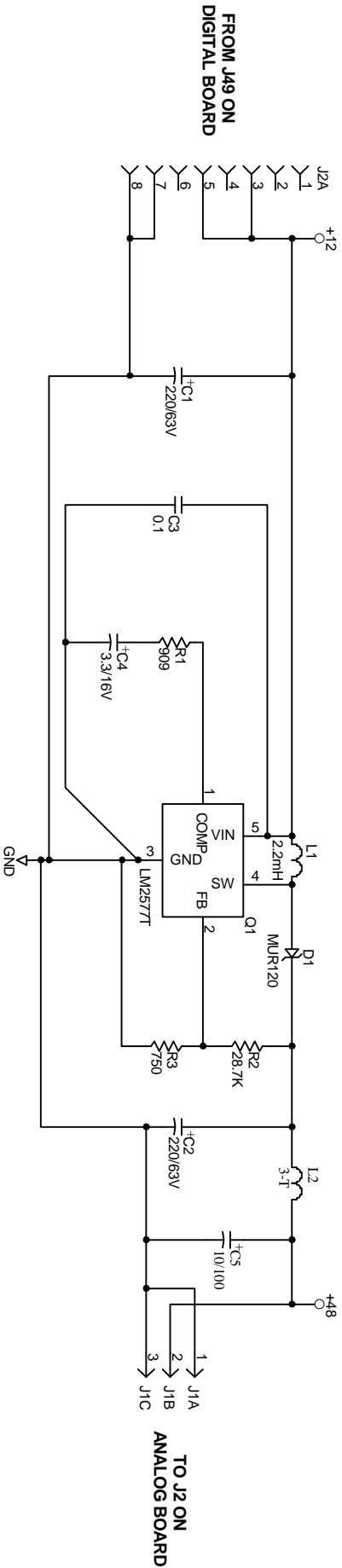
SHEET 7 of 10


102267

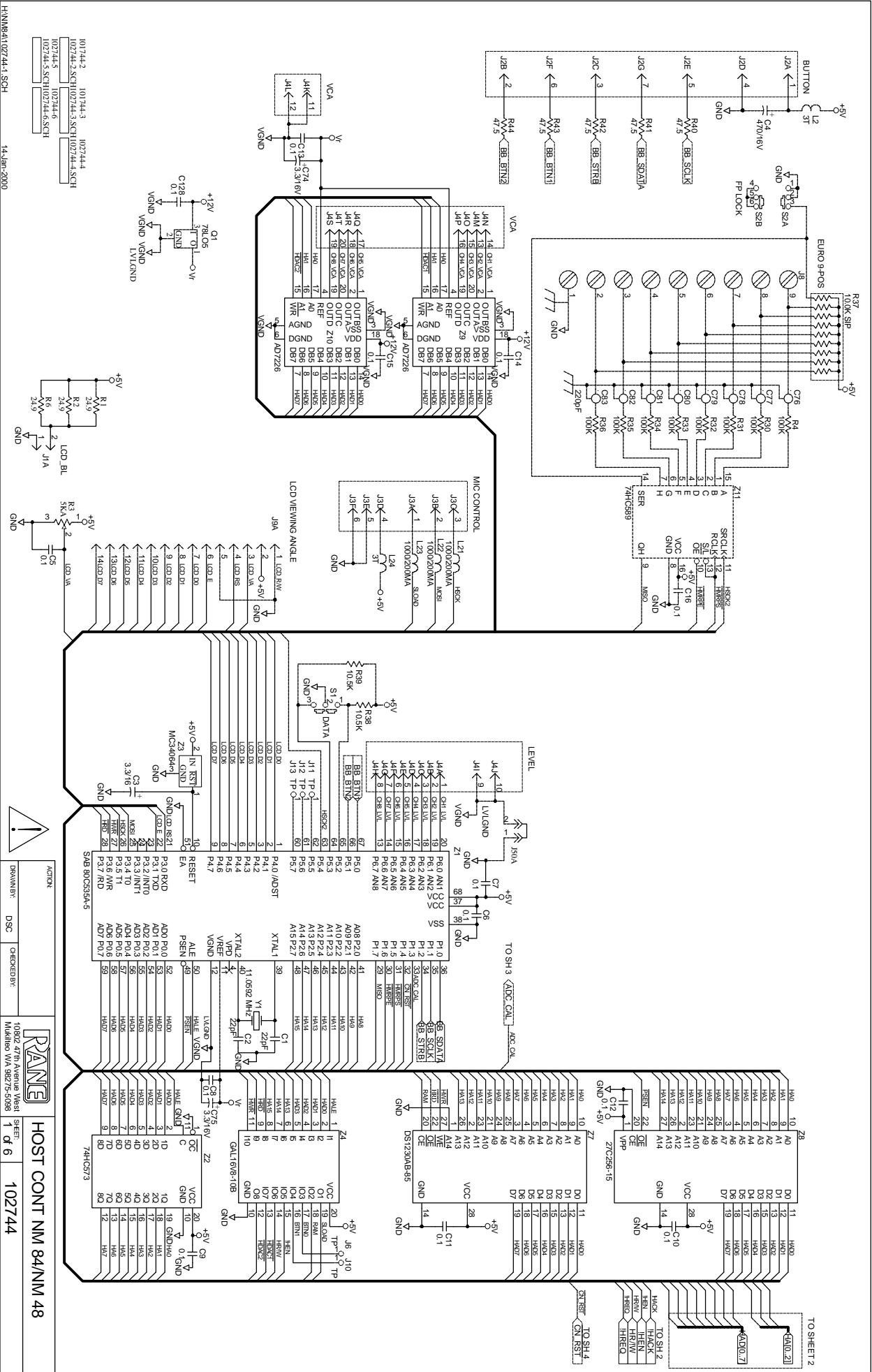




	ACTION
DRAIN RJ	CHECKED PSC
	10802 47th Avenue West Mukilteo WA 98275-5098
SHEET: 100F 10	NM 84 DIR OUT NM 84 102267

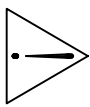
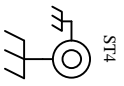
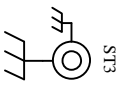
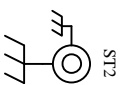
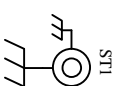
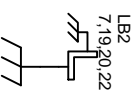
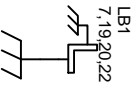
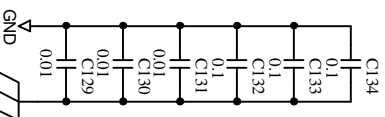
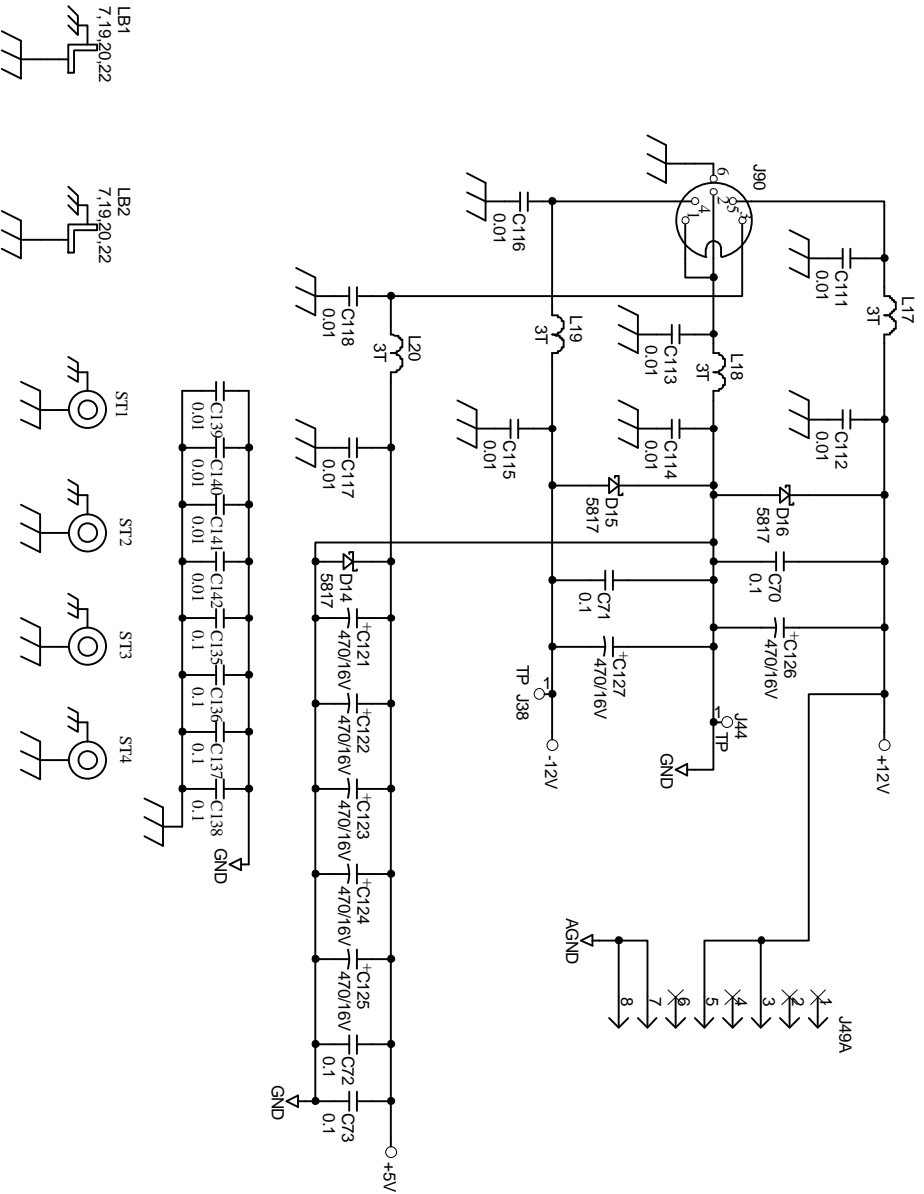



ACTION:			48V STEP-UP NM 84	
DRAWN BY:	RWJ		CHECKED BY:	RJ
10802 47th Avenue West Mukilteo WA 98275-5098		SHEET:	1 of 1	103004



ACTION	
DRAWN BY	DSC
CHECKED BY	





ACTION:	
DRAWN BY:	DSC
CHECKED BY:	
 10802 47th Avenue West Mukilteo WA 98275-5098	

POWER SUPPLY NM 84/NM 48	
SHEET:	6 of 6
102744	