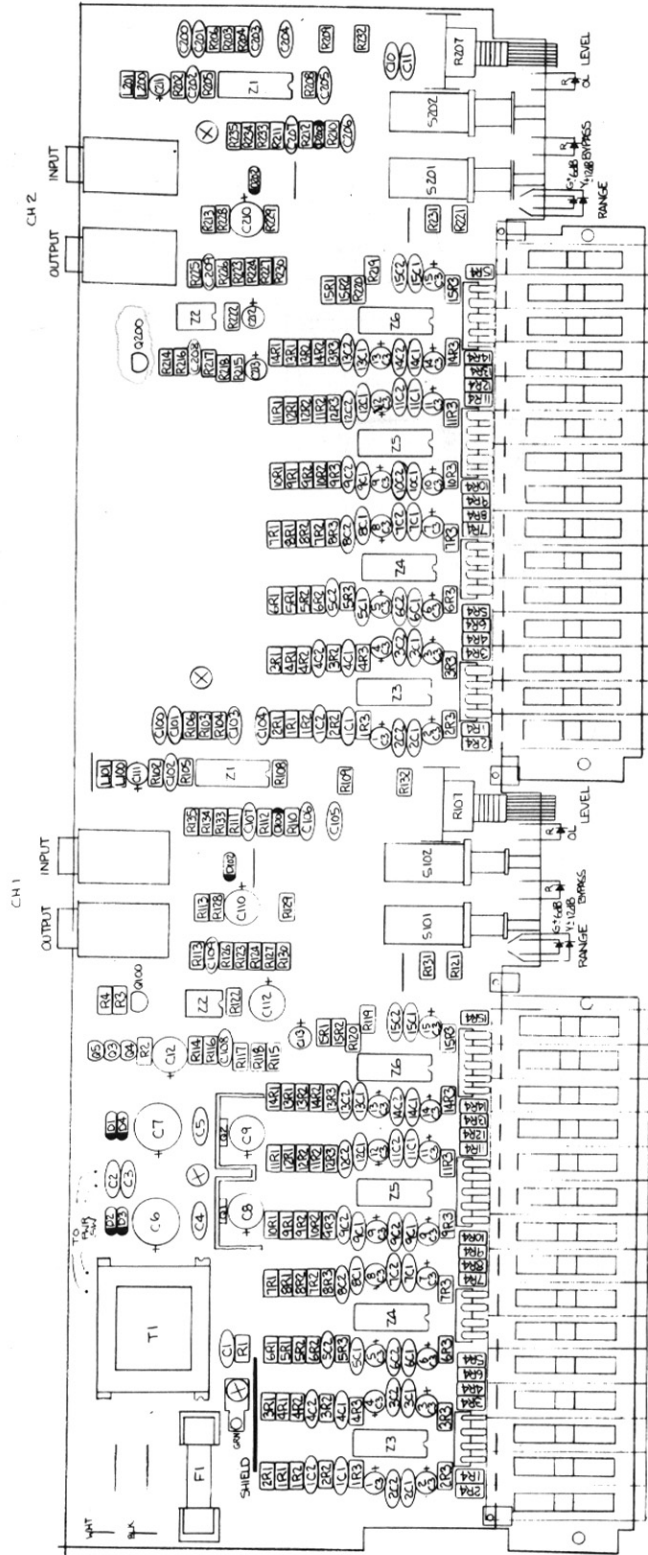


REV DESCRIPTION DATE APPROVED
 B R100 R101 R200 R201 NOW 3-24-86 B. BOHN
 C ADD'D C107, C109, C206, C209 4-7-86 D. BOHN

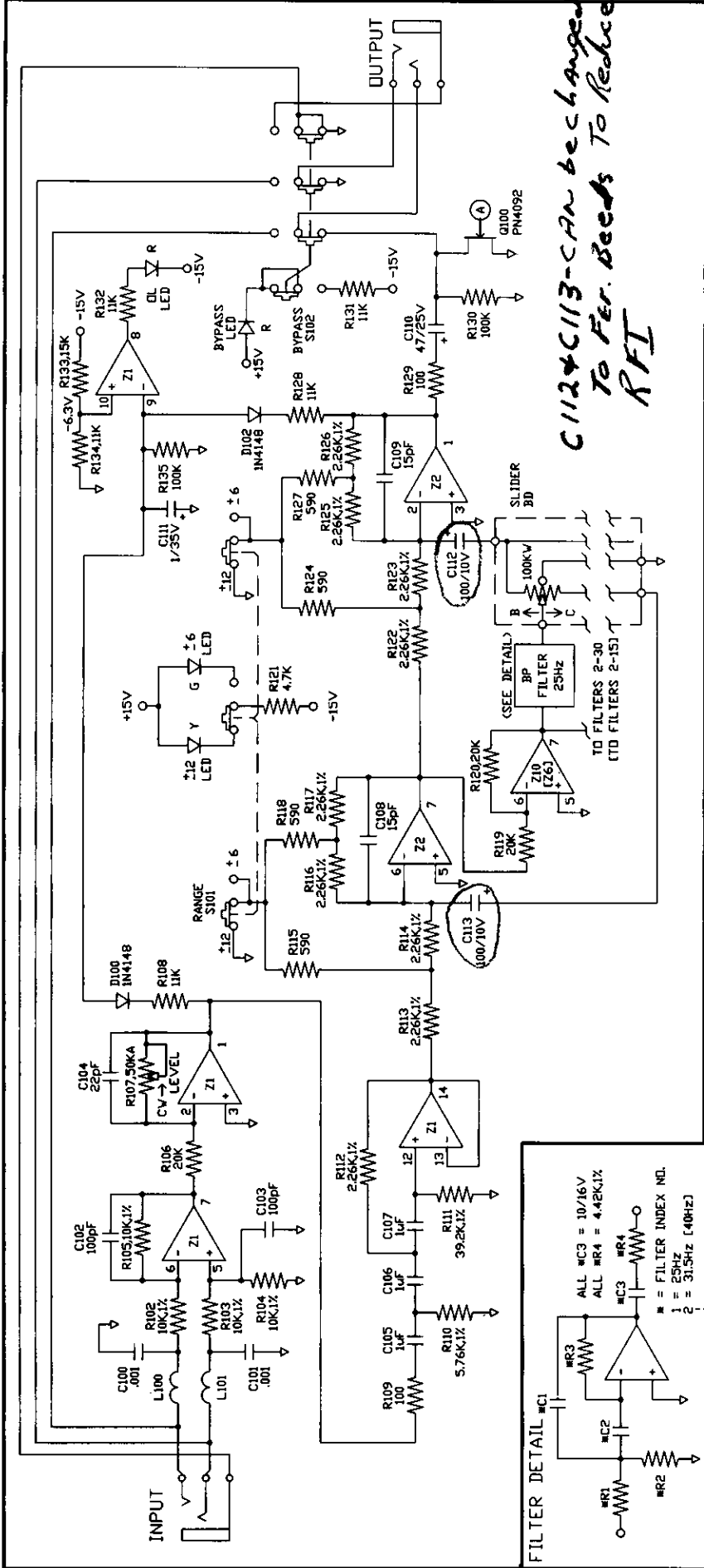


TITLE ME 15 ASSY
 REV. C
 DRV. NO. 522-021

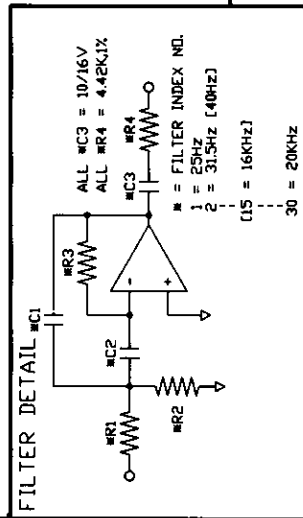


CORP. 6510 216th S.V. MOUNTLAKE TERRACE,
 VA 98043 (206) 774-7309

DRAWN SF DATE 10.18.85 CHECKED DB DATE 11-13-85 SHEET 1 OF 1 DO NOT SCALE DRAWING



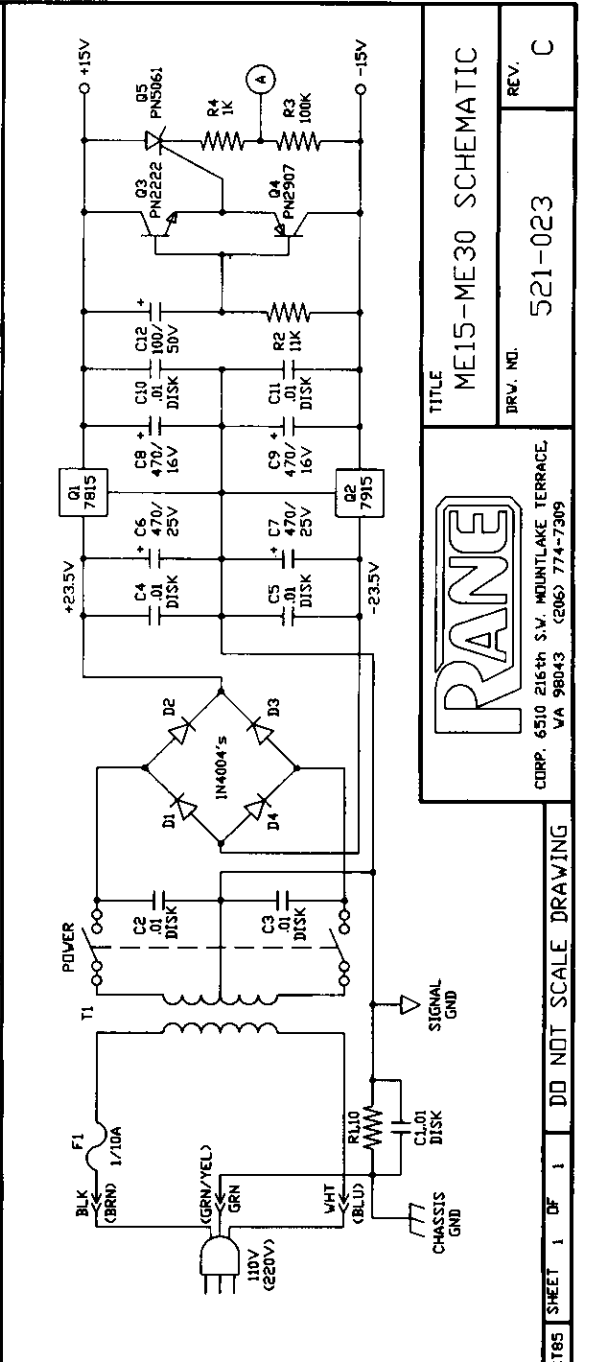
*C112 + C113 - CAN be changed
To Ferr. Beeds To Reduce
RFI*



NOTES (UNLESS OTHERWISE NOTED)

1. ALL RES 1/4W 5% CARBON FILM
2. ALL CAPS 100V POLY
3. QUADS PIN 4, DUALS PIN 8 ARE +V
4. QUADS PIN 11, DUALS PIN 4 ARE -V
5. IC * OFF-POSITION
6. NOTES IN BRACKETS INDICATE HELIS
7. (CH1 SHOWN/CH2 SAME)
8. (CH1 PARTS ARE 100%/CH2 PARTS ARE 1-99%)

* = FILTER INDEX NO.
 1 = 25HZ
 2 = 31.5HZ (40HZ)
 [15 = 16KHZ]
 30 = 20KHZ



CORP. 6510 216th S.W. MOUNTLAKE TERRACE
WA 98043 (206) 774-7309

TITLE
ME15-ME30 SCHEMATIC

DRW. NO.
521-023

REV.
C