

POWER AMPLIFIER XS250/350

SERVICE MANUAL



■ CONTENTS

SPECIFICATIONS	3
PANEL LAYOUT	4
DIMENSIONS	5
BLOCK DIAGRAM	5
CIRCUIT BOARD LAYOUT & WIRING	6
DISASSEMBLY PROCEDURE	7
IC BLOCK DIAGRAM	10
CIRCUIT BOARDS	11
INSPECTIONS	13
PARTS LIST	

IMPORTANT NOTICE

This manual has been provided for the use of authorized Yamaha Retailers and their service personnel. It has been assumed that basic service procedures inherent to the industry, and more specifically Yamaha Products, are already known and understood by the users, and have therefore not been restated.

WARNING: Failure to follow appropriate service and safety procedures when servicing this product may result in personal injury, destruction of expensive components, and failure of the product to perform as specified. For these reasons, we advise all Yamaha product owners that all service required should be performed by an authorized Yamaha Retailer or the appointed service representative.

IMPORTANT: The presentation or sale of this manual to any individual or firm does not constitute authorization, certification or recognition of any applicable technical capabilities, or establish a principle-agent relationship of any form.

The data provided is believed to be accurate and applicable to the unit(s) indicated on the cover. The research, engineering, and service departments of Yamaha are continually striving to improve Yamaha products. Modifications are, therefore, inevitable and changes in specification are subject to change without notice or obligation to retrofit. Should any discrepancy appear to exist, please contact the distributor's Service Division.

WARNING: Static discharges can destroy expensive components. Discharge any static electricity you body may have accumulated by grounding yourself to the ground buss in the unit (heavy gauge black wires connect to this buss).

IMPORTANT: Turn the unit OFF during disassembly and part replacement. Recheck all work before you apply power to the unit.

WARNING: CHEMICAL CONTENT NOTICE!

The solder used in the production of this product contains LEAD. In addition, other electrical/electronic and /or plastic (where applicable) components may also contain traces of chemicals found by the California Health and Welfare Agency (and possibly other entities) to cause cancer and/or birth defects or other reproductive harm.

DO NOT PLACE SOLDER, ELECTRICAL/ELECTRONIC OR PLASTIC COMPONENTS IN YOUR MOUTH FOR ANY REASON WHATSOEVER!

Avoid prolonged, unprotected contact between solder and your skin! When soldering, do not inhale solder fumes or expose eyes to solder/flux vapor!

If you come in contact with solder or components located inside the enclosure of this product, wash your hands before handling food.

■ SPECIFICATIONS

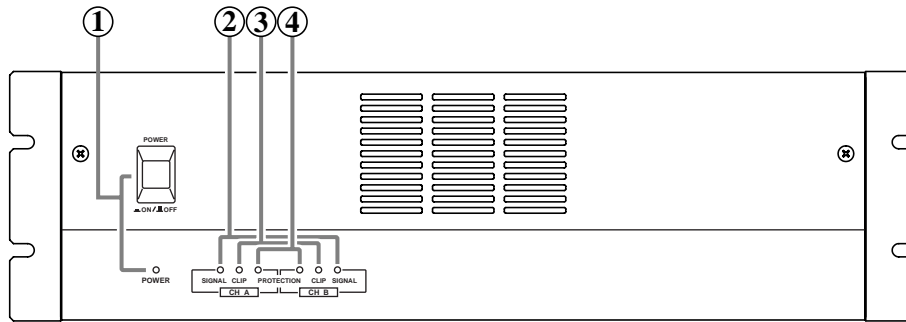
•General Specifications XS250,XS350

		XS250	XS350
Power Output Level (Rated Power) 20 Hz~20 kHz THD+N= 0.1%	8 ohm/STEREO	170 W + 170 W	230 W + 230 W
	4 ohm/STEREO	250 W + 250 W	350 W + 350 W
	8 ohm/BRIDGE	500 W	700 W
1 kHz THD+N= 0.1%	8 ohm/STEREO	185 W + 185 W	250 W + 250 W
	4 ohm/STEREO	280 W + 280 W	400 W + 400 W
	8 ohm/BRIDGE	560 W	800 W
1 kHz, 20 ms, no cilp	2 ohm/STEREO	400 W + 400 W	600 W + 600 W
Power Bandwidth	Half Power	10 Hz~40 kHz (THD+N= 0.1%)	
Total Harmonic Distortion (THD+N) 20 Hz-20 kHz, Half Power	4~8 ohm/STEREO	0.05%	
	8 ohm/BRIDGE		
Frequency Responce	8 ohm, Po= 1 W	+0.5, -1 dB	10 Hz~50 kHz
Intermodulation Distortion (IMD) 60 Hz: 7 kHz, 4:1, Half Power	4~8 ohm/STEREO	0.05%	
	8 ohm/BRIDGE		
Channel Separation	Half Power, RL = 8 ohm, Vol. max., input 600 ohm shunt	>/-65 dB, 20 Hz~20 kHz	
Residual Noise Vol. min.	12.7 kHz LPF	</- -70 dB	
	IHF-A network	>/- -75 dB	
SN Ratio		100 dB	
Damping Factor	8 ohm, f= 1 kHz	>/-100	
Slew Rate 8 ohm full swing	STEREO	+/-30 V/μS	
	BRIDGE	+/-40 V/μS	
Sensitivity (Vol.max.) Rated Power into 8 ohm		+1.7 dB	+3.1 dB
Voltage Ggin (Vol.max.)		32.1 dB	32.1 dB
Input Impedance		30 k ohm/Balanced, 15 k ohm/Unbalanced	
Controls	Front Panel	POWER switch (ON/OFF)	
	Rear Panel	Volume (31 position)× 2 Mode switch (STEREO/BRIDGE/PARALLEL) Filter switch (OFF/SUBWOOFER/LOW CUT)× 2 (-12 dB/oct.) Freq. control (25 Hz~125 Hz)× 2	
Connectors	Input	Barrier strip terminal XLR-3-31 type/ch	
	Output	Barrier strip terminal 5-way binding posts	
Indicators	POWER	Green	
	PROTECTION	× 2 (Red)	
	CLIP	× 2 (Red)	
	SLGNAL	× 2 (Green)	
Protection Circuits		POWER switch ON muting, DC detection, Temp. detection (heatsink temp >/- 90°C)	
PC limiter		RL </ 1 ohm	
Fan Speed		Low/-50°C, variable/50~70°C, High/70°C	
Power Requirements	US & Canada	120 V, 60 Hz	
	Europe	240 V, 50/60 Hz	
	Other	240 V, 50/60 Hz	
Power Consumption		450 W/600 VA	600 W/800 VA
	Idling	45 W	45 W
	1/8 output power, 4 ohm	400 W	550 W
	Maximum output, 4 ohm	1000 W	1400 W
Dimentions (W × H × D)		480 × 132 × 319 mm	
Weight		18 kg	20 kg

0 dB=0.775 Vrms, Half Power=1/2 Power Output Level (Rated Power)

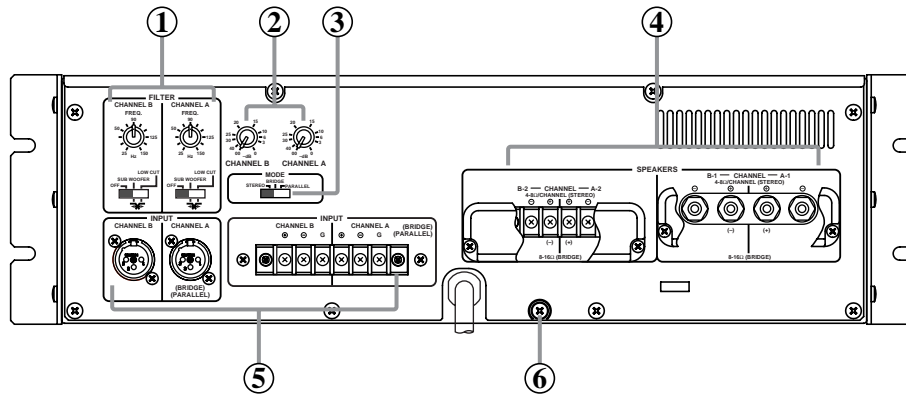
■ PANEL LAYOUT

● Front Panel



- ① POWER switch and indicator
- ② SIGNAL indicators
- ③ CLIP indicators
- ④ PROTECTION indicator

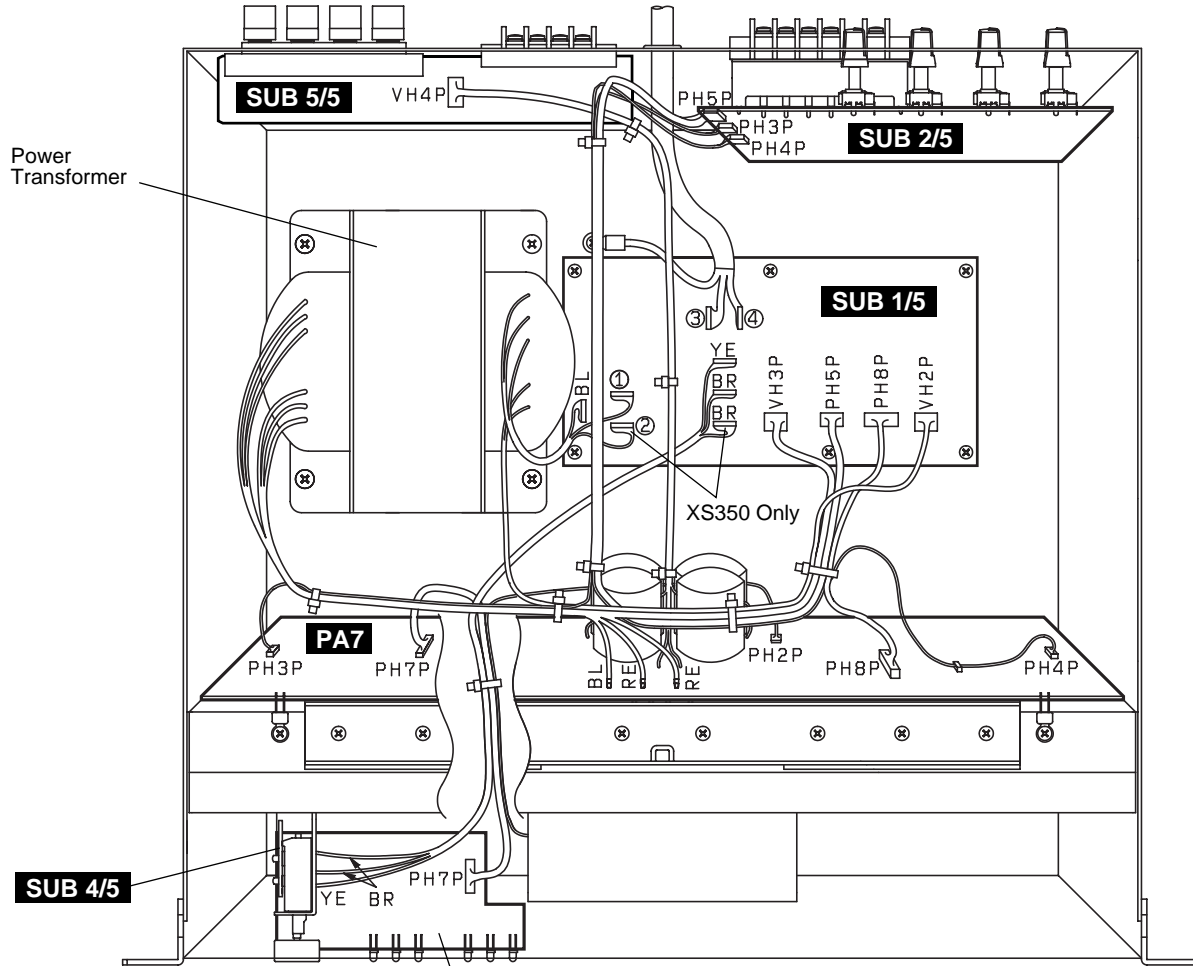
● Rear Panel



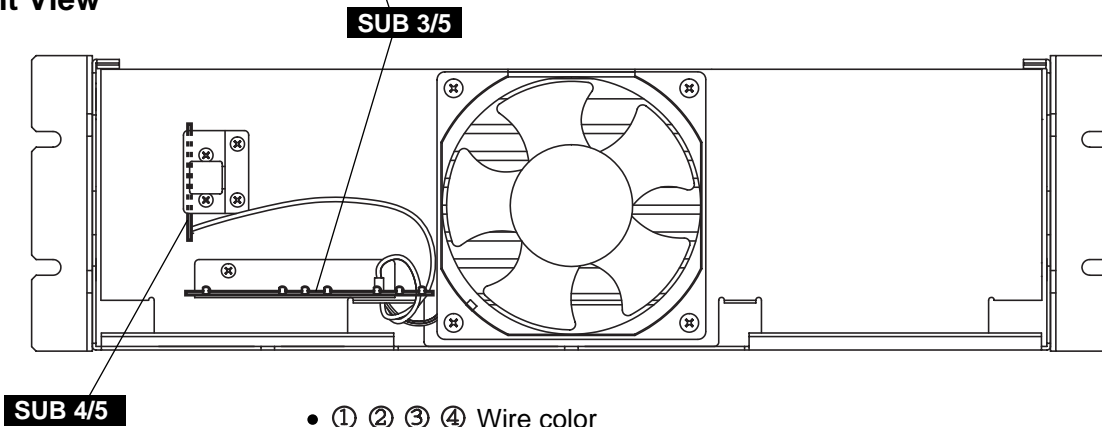
- ① Frequency controls/Filter select switches (CHANNEL A,B)
- ② Volume controls (CHANNEL A,B)
- ③ STEREO/BRIDGE/PARALLEL switch
- ④ SPEAKERS terminals
- ⑤ INPUT terminals
- ⑥ GND terminals

CIRCUIT BOARD LAYOUT & WIRING

• Top View



• Front View



• ① ② ③ ④ Wire color

	U / C	H / B	A
①	BR	BE	RE
②	BR	BE	RE
③	WH	BE	BE
④	BL	BR	BR

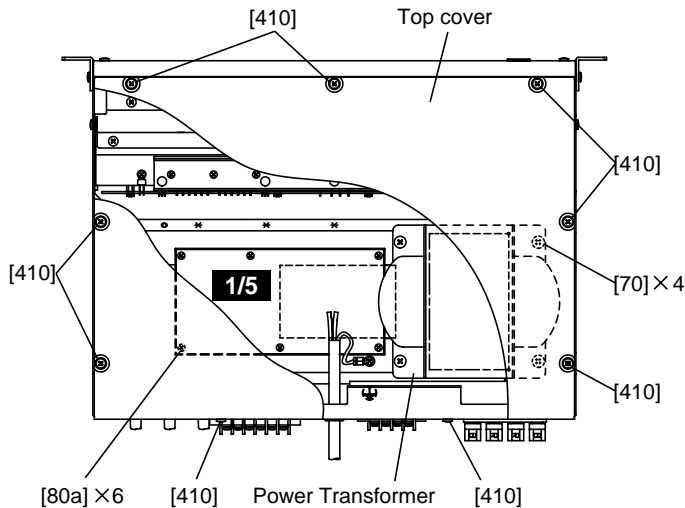
DISASSEMBLY PROCEDURE

1. Top Cover

- 1-1 Remove the nine (9) screws marked [410]. The top cover can then be removed. (Fig. 1, 2)

2. Power Transformer

- 2-1 Remove the top cover. (See Procedure 1.)
- 2-2 Remove the four (4) screws marked [70]. The power transformer can then be removed. (Fig. 1)



[70]: Bind Head Screw SP 5.0X10 MFZN2BL (VU688100)
 [80]: Bind Head Tapping Screw-B 3.0X8 MFZN2BL (EP600190)
 [410]: Bind Head Tapping Screw-B 4.0X8 MFZN2BL (EG340190)

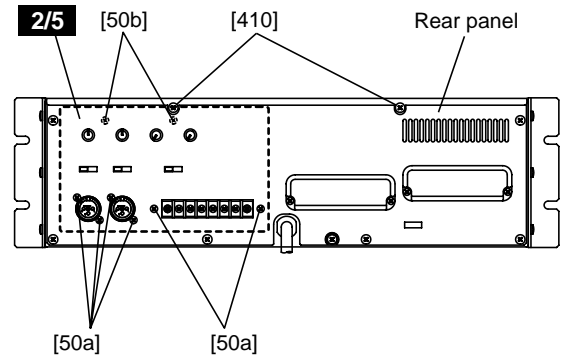
(Fig. 1)

3. SUB7 1/5 Circuit Board

- 3-1 Remove the top cover. (See Procedure 1.)
- 3-2 Remove the six (6) screws marked [80a]. The SUB 1/5 circuit board can then be removed. (Fig. 1)

4. SUB 2/5 Circuit Board

- 4-1 Remove the top cover. (See Procedure 1.)
- 4-2 Remove the six (6) screws marked [50a] and the two (2) screws marked [50b]. The SUB 2/5 circuit board can then be removed. (Fig. 2, 7)



[50a]: Bind Head Screw A4.0X8 MFZN2BL (VP156800)
 [410]: Bind Head Tapping Screw-B 4.0X8 MFZN2BL (EG340190)

(Fig. 2)

5. Front Panel

- 5-1 Remove the top cover. (See Procedure 1.)
- 5-2 Remove the two (2) screws marked [380a] and the two (2) screws marked [380b]. The front panel can then be removed. (Fig. 3)

6. SUB 3/5 Circuit Board

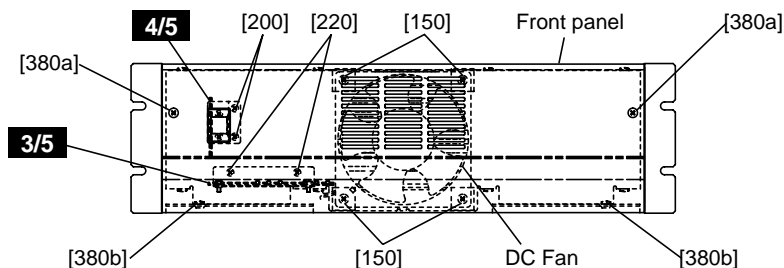
- 6-1 Remove the top cover. (See Procedure 1.)
- 6-2 Remove the front panel. (See Procedure 5.)
- 6-3 Remove the two (2) screws marked [220]. The SUB 3/5 circuit board can then be removed. (Fig. 3)

7. SUB 4/5 Circuit Board

- 7-1 Remove the top cover. (See Procedure 1.)
- 7-2 Remove the front panel. (See Procedure 5.)
- 7-3 Remove the two (2) screws marked [200]. The SUB 4/5 circuit board can then be removed. (Fig. 3)

8. DC Fan

- 8-1 Remove the top cover. (See Procedure 1.)
- 8-2 Remove the front panel. (See Procedure 5.)
- 8-3 Remove the four (4) screws marked [150]. The DC fan can then be removed. (Fig. 3)

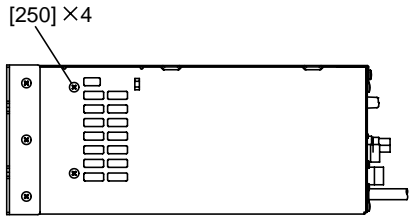


[220]: Bind Head Tapping Screw-B 3.0X8 MFZN2BL (EP600190)
 [380]: Bind Head Tapping Screw-B 4.0X8 MFZN2BL (EG340190)

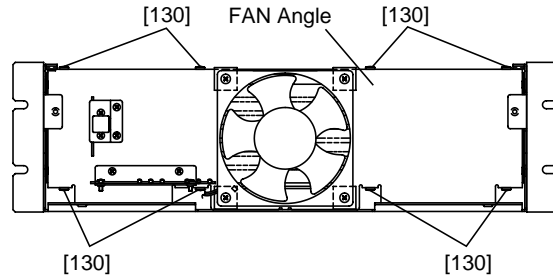
(Fig. 3)

9. PA7 Unit

- 9-1 Remove the top cover. (See Procedure 1.)
- 9-2 Remove the front panel. (See Procedure 5.)
- 9-3 Remove the four (4) screws marked [250]. The PA7 unit with the chassis can then be removed. (Fig. 4)
- 9-4 Remove the eight (8) screws marked [130]. The PA7 unit can then be removed. (Fig. 5)



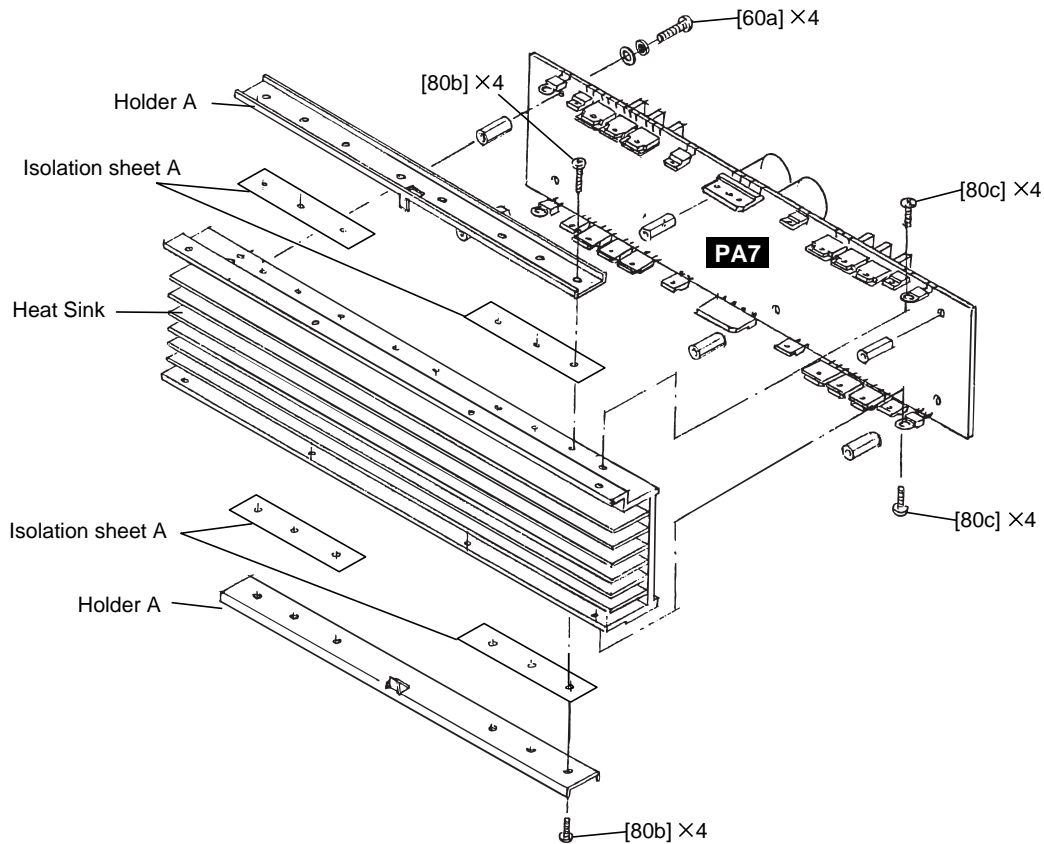
[250]: Bonding Tapping Screw-B 4.0X8 MFZN2BL (VR779900)
(Fig. 4)



[130]: Bind Head Tapping Screw-B 4.0X8 MFZN2BL (EG340190)
(Fig. 5)

10. PA7 Circuit Board

- 10-1 Remove the top cover. (See Procedure 1.)
- 10-2 Remove the front panel. (See Procedure 5.)
- 10-3 Remove the PA7 unit. (See Procedure 9.)
- 10-4 Remove the sixteen (16) screws marked [80b]; the four (4) screws marked [80c] and the six (6) screws marked [60a]. The PA7 circuit board can then be removed. (Fig. 6)

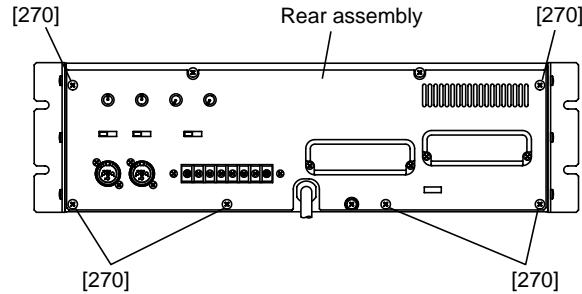


[60a]: Bind Head Screw SP 3.0X8 MFZN2Y (EG330290)
[80b,c]: Bind Head Tapping Screw-B 3.0X12 MFZN2BL (VQ074600)

(Fig. 6)

11. Rear Assembly

- 11-1 Remove the top cover. (See Procedure 1.)
- 11-2 Remove the six (6) screws marked [270]. The rear assembly can then be removed. (Fig. 7)

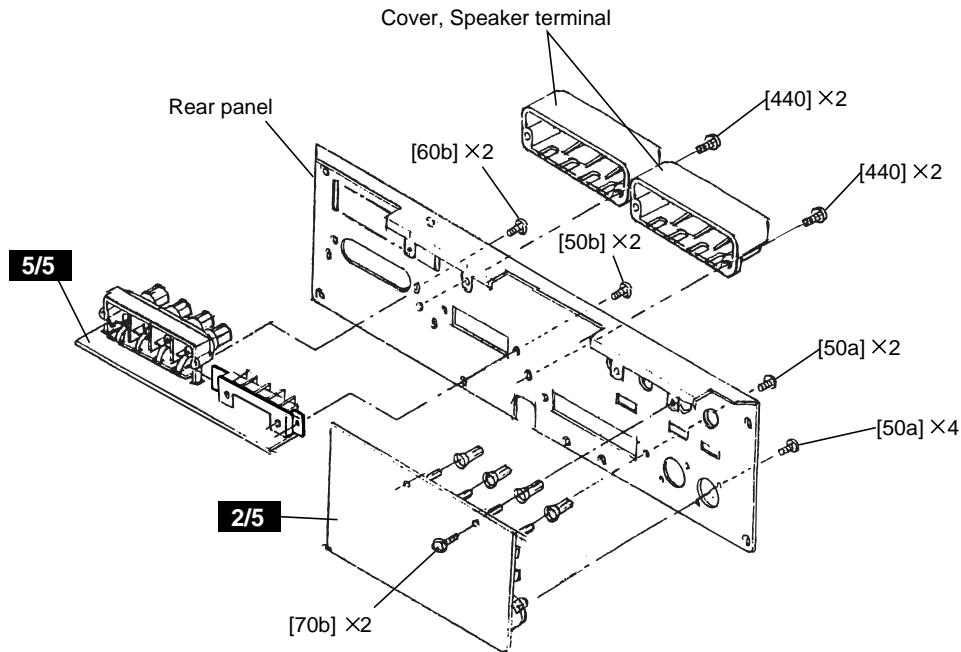


[270]: Bonding Tapping Screw-B 4.0X8 MFZN2BL (VR779900)

(Fig. 7)

12. SUB 5/5 Circuit Board

- 12-1 Remove the top cover. (See Procedure 1.)
- 12-2 Remove the rear assembly. (See Procedure 11.)
- 12-3 Remove the four (4) screws marked [440] and the two (2) screws marked [50b] and the two (2) screws marked [60b]. The SUB 5/5 circuit board can then be removed. (Fig. 7)

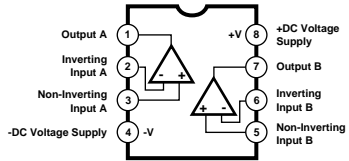


[50a]: Bind Head Screw A4.0X8 MFZN2BL (VP156800)
 [50b]: Bonding Tapping Screw-B 3.0X8 MFZN2BL (VN413300)
 [60b]: Bind Head Tapping Screw-B 3.0X12 MFZN2BL (VQ074600)
 [70a]: Bind Head Screw SP 5.0X10 MFZN2BL (VU688100)
 [70b]: Bind Head Tapping Screw-B 3.0X8 MFZN2BL (EP600190)
 [440]: Bind Head Tapping Screw-B 3.0X8 MFZN2BL (EP600190)

(Fig. 8)

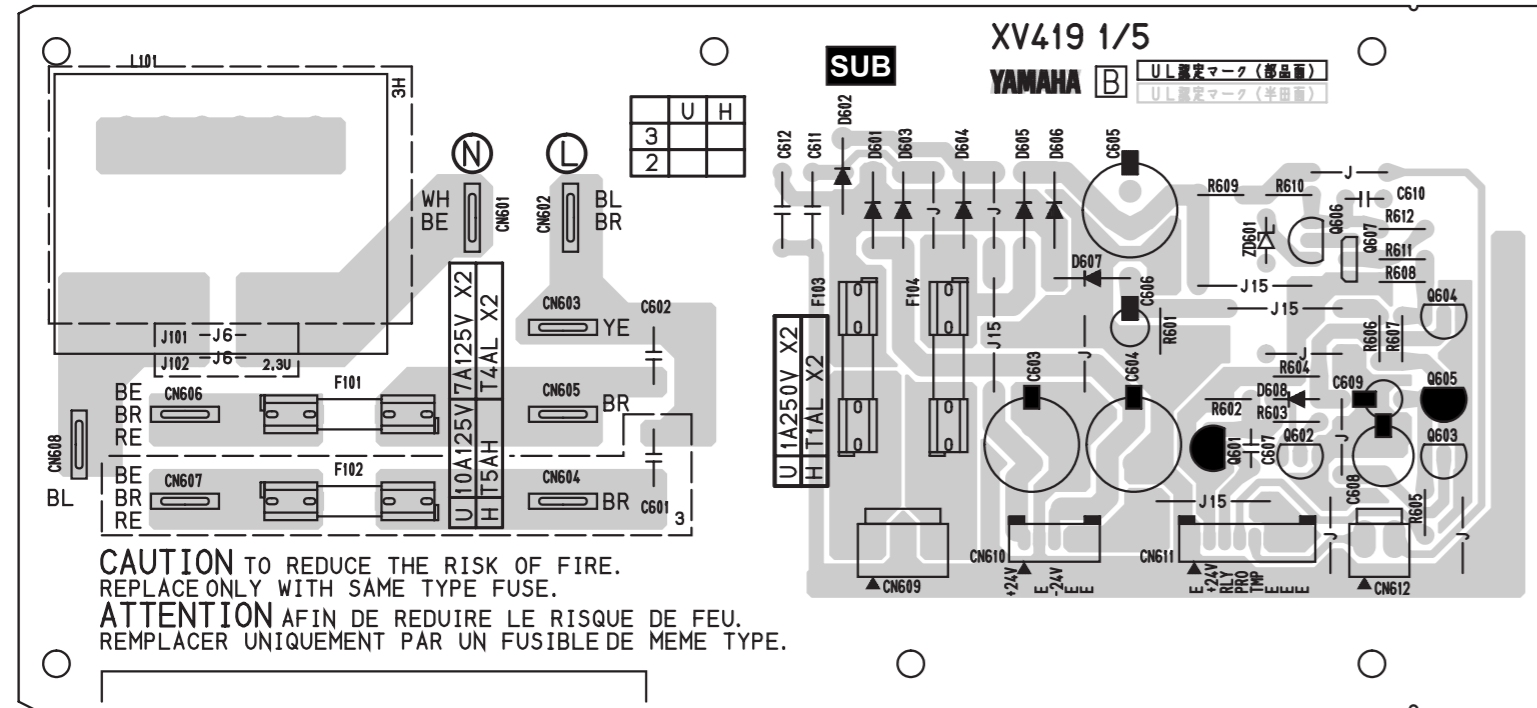
■ IC BLOCK DIAGRAM

- **M5238AP (XM085A00)**
Operational Amplifier



■ CIRCUIT BOARDS

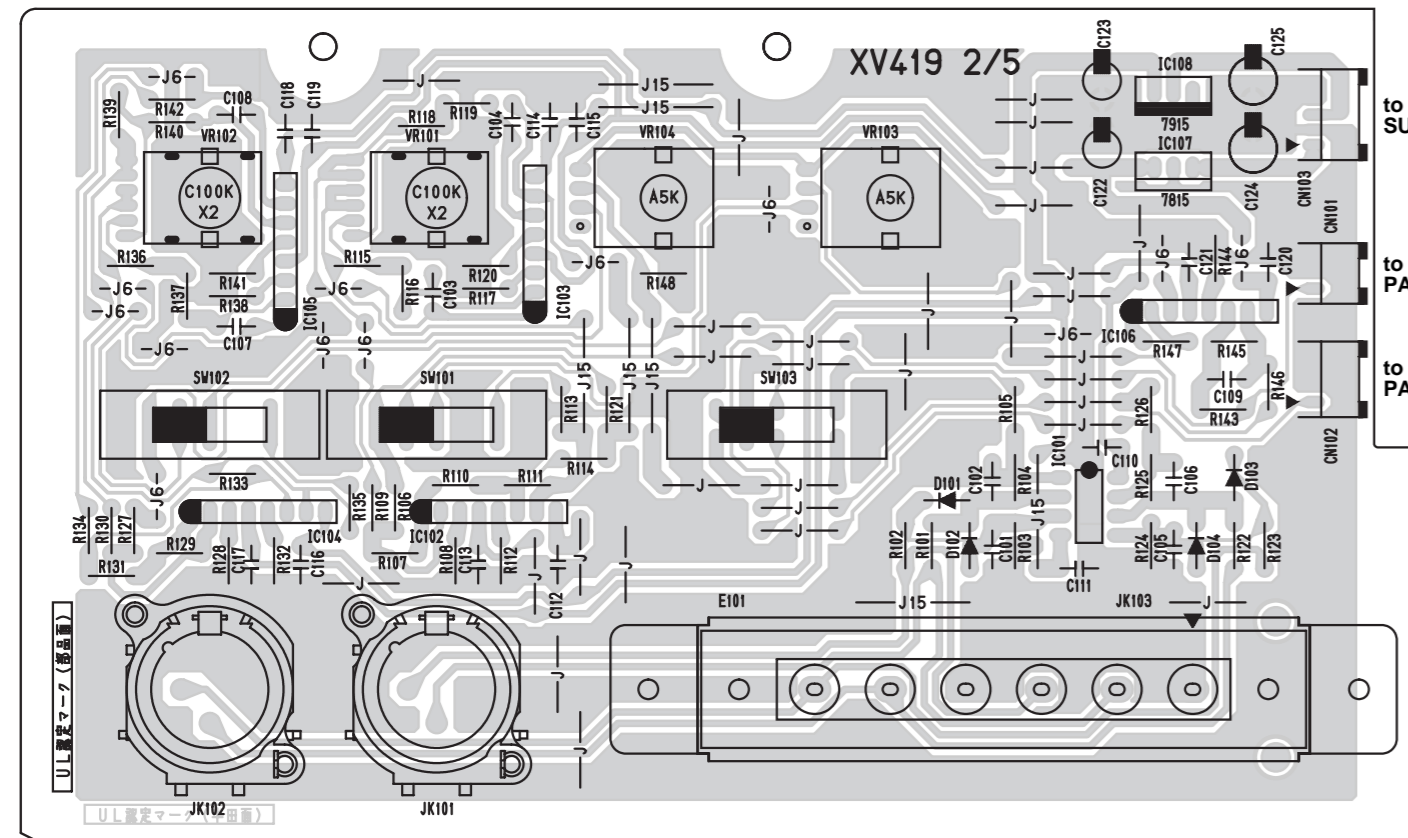
● SUB 1/5 Circuit Board



from T101 to SUB 2/5-CN103 to PA-CN404 from T101

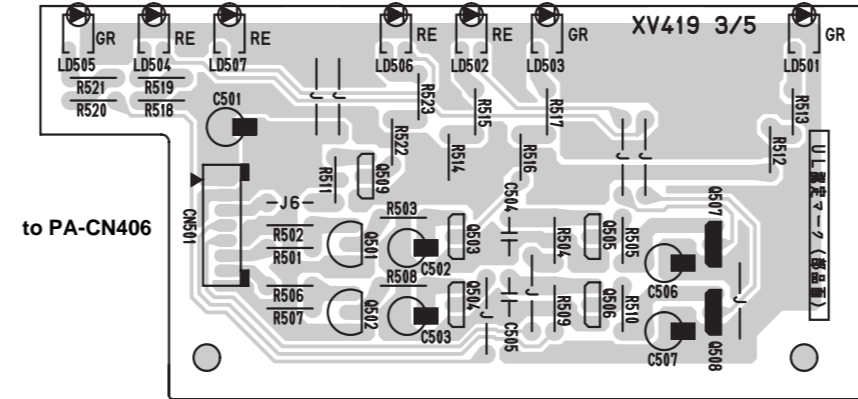
Components side

● SUB 2/5 Circuit Board



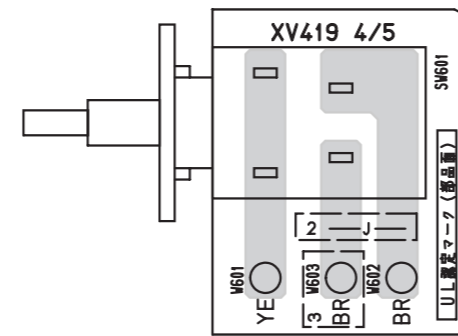
Components side

● SUB 3/5 Circuit Board



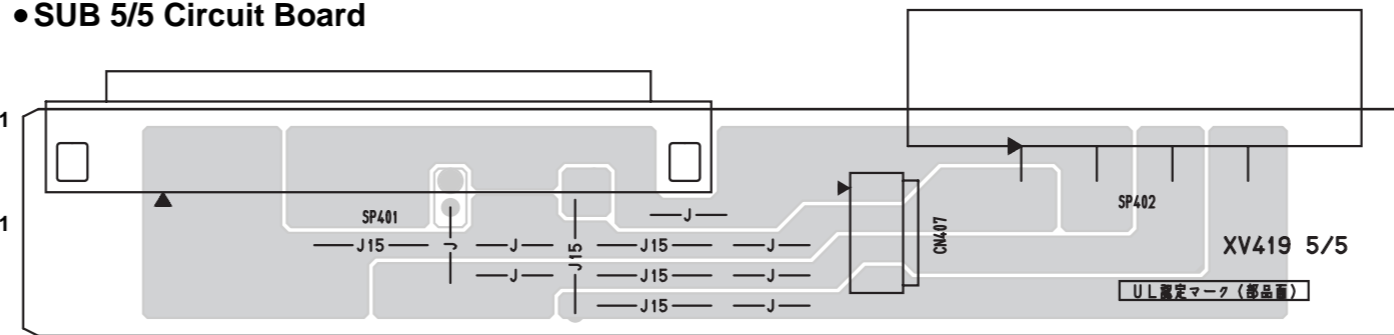
Components side

● SUB 4/5 Circuit Board



Components side

● SUB 5/5 Circuit Board

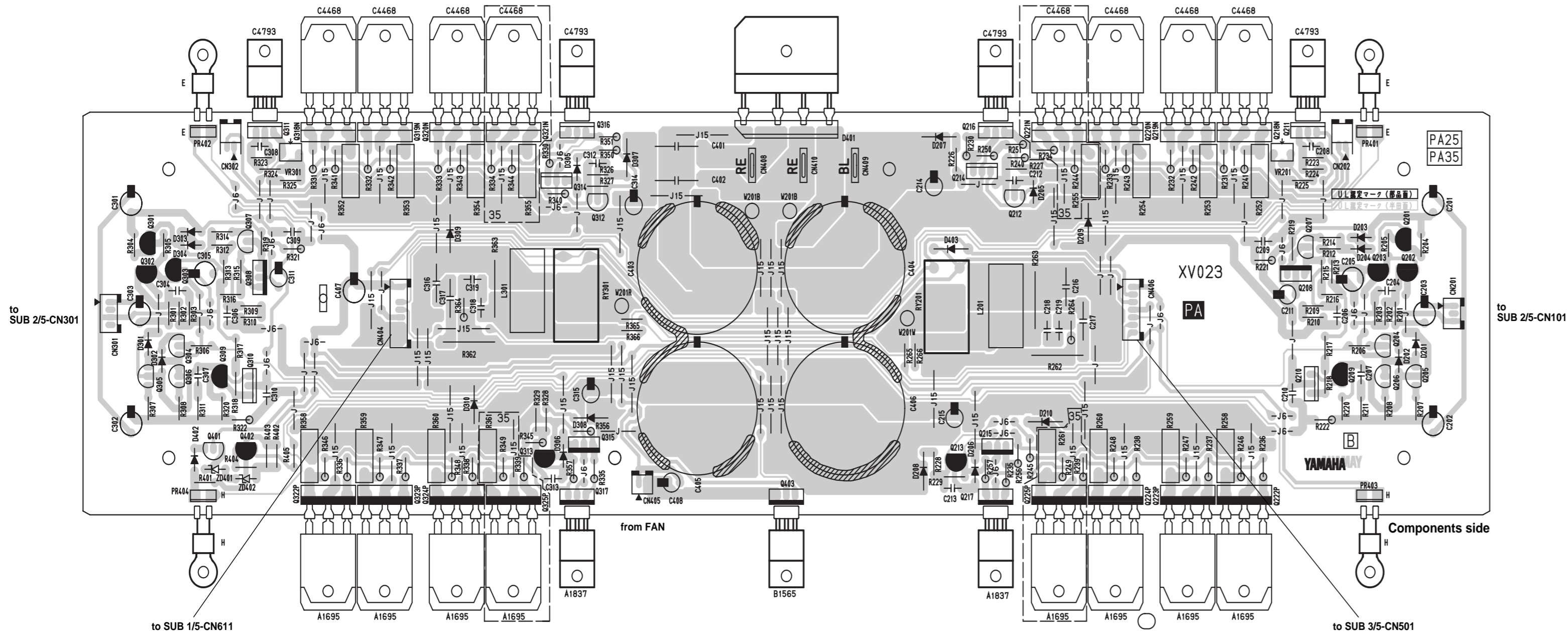


Components side

●SX350
SUB(U) :3NA-V290000
SUB(H) :3NA-V290010

●SX250
SUB(U) :3NA-V289980
SUB(H) :3NA-V289990

● PA Circuit Board



- SX350
3NA-V2899600 ▲
- SX250
3NA-V2899500 ▲

■ INSPECTIONS

A STEREO and PARALLEL Operation

Before performing any following adjustments, set the unit as follows:

1. Set the ATTENUATIONS at the MAX.
2. Input terminal: Cannon connector pin 2 is HOT, pins 1 and 3 GROUND.
3. MODE switch: STEREO
4. Output terminal: RL = 4 ohm/more than 500 W
5. Others: Both Channel operation is required, if no particular indication. Moreover, turn off the filter switch, if no particular indication.

Adjustment Specifications

1. Fan Test

When turning on the power switch, confirm that both fans of right and left sides regulate at low speed.

2. Muting Test

After applying power to the unit, the PROTECTION indicator should remain ON 2.5 +/- 1 seconds to indicate that the protection circuitry is operating and the indicator should go out. NO signal is output while this indicator lit.

3. Idle Current Test

Connect the input terminal to the GROUND and adjust the VR201 (A channel) and VR301 (B channel) that the DC voltage Vb between the pin 1 and pin 2 of the CN202 (A channel) and the CN302 (B channel) should be 1.0 +/- 0.2 mV. And After finishing all tests, adjust the Vb again to 1.0 +/- 0.2 mV.

4. Input Terminal DC offset

Connect the input terminal to the GROUND and check that the DC voltage Vdc of the output terminal should be 0 +/- 75 mV.

5. Gain Test

Check that the OUTPUT should be +22.1 +/- 0.5 dBu, when a sine wave of 1 kHz at -10 dBu is applied to the INPUT. This test should be performed on PARALLEL operation.

6. Frequency Response Test

Filter switch OFF:

When a sine wave of 20 Hz, 1 kHz or 20 kHz at -10 dBu is applied to the INPUT, check that the output is 0 +/- 0.5 dB at 20 Hz and -0.5 +/- 0.5 dB at 20 kHz taking the 1 kHz as a reference.

Filter switch SUB WOOFER:

<MIN>

When a sine wave of 25 Hz, -10 dBu is applied to the INPUT, check that the output is -3.5 +/- 1.0 dB taking the 1 kHz as a reference at the filter switch OFF.

<MAX>

When a sine wave of 150 Hz, -10 dBu is applied to the INPUT, check that the output is -3.5 +/- 1.0 dB taking the 1 kHz as a reference at the filter switch OFF.

Filter switch LOW CUT:

<MIN>

When a sine wave of 25 Hz, -10 dBu is applied to the INPUT, check that the output is -4.5 +/- 1.0 dB taking the 1 kHz as a reference at the filter switch OFF.

<MAX>

When a sine wave of 150 Hz, -10 dBu is applied to the INPUT, check that the output is -3.5 +/- 1.0 dB taking the 1 kHz as a reference at the filter switch OFF.

7. Harmonic Distortion Test

When a high quality sine wave is applied at 20 Hz, 1 kHz or 20 kHz, the harmonic distortion should be as follows:

Power output level (4 ohm)		THD		
		20 kHz	1 kHz	20 kHz
XS350	350 W + 350 W (33.7 dBu/ch)	<= 0.1 %	<= 0.1 %	<= 0.1 %
XS250	250 W + 250 W (32.2 dBu/ch)	<= 0.1 %	<= 0.1 %	<= 0.1 %

**This test should have been finished within 30 minutes.*

8. Channel Separation Test

- 8-1 Apply a -5 dBu, 20kHz sine wave into the channel A.
- 8-2 Short the input for the channel B with a 600 ohm load.
- 8-3 Set the output of the channel A at a reference of 0 dB.
- 8-4 If channel B attenuator is set to the same as channel A, channel B output should be less than -65 dB. (RL = 8 ohm)

9. Noise Test

- 9-1 Set the input attenuator to MAX.
 - 9-2 Short the input with a 600 ohm load.
 - 9-3 Measure at the output, noise level should be less than -65 dBm.
 - 9-4 Set the input attenuator to "∞", noise level should be less than -70 dBu.
- *Be careful that it is not affected by noise induced during this inspection.

10. Stability Test

When a rectangular wave 10 kHz, -10 dBu is applied to the input and a capacitor 10 pF-0.47 μF is connected with 4 ohm load resistor in parallel, the overshoot and the ringing should be as follows.

Overshoot: $V_p/V_o \leq 1.8$
 Ringing: less than 5 waves

Next, when the 4 ohm load resistor is removed and the load is the capacitor 10pF-0.47 μF only, the overshoot and the ringing should be as follows.

Overshoot: $V_p/V_o \leq 2.5$
 Ringing: fade away in less than 7 waves and no oscillation

11. Protection Circuitry Test

Check that the relay does not work when you apply a sine wave of +5.0 dBu (XS350), +3.0 dBu (XS250) at 10 Hz to the input and adjust the input level to obtain a clipped output wave form.

Next, check that when you apply a sine wave of 1 Hz, 0.0 dBu to the input, the signal is cut off within 2 seconds, and the PROTECTION indicator should light up.

Finally, check that when no signal is applied, the amplifier would resume to normal operation within 10 seconds.

12. PC Limiter Circuitry Test

Check that the OUTPUT should be as follows with an oscilloscope when a sine wave of 0 dBu (XS350), -1.5 dBu (XS250) at 1 kHz is applied to the INPUT and the output is shorted with a 1 ohm load (+/-5%). At this time, check the CLIP indicator lights.

Model	Output level
XS350	$V_{p-p} \leq 25V$
XS250	$V_{p-p} \leq 20V$

**This test should have been finished within 30 minutes.*

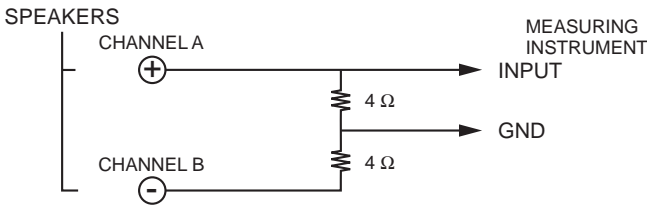
13. Signal Indicator Test

When a sine wave of 1 kHz, -23 dBu is applied to the input, SIGNAL indicator should light up.

B BRIDGE Operation

Before performing any following adjustments, set the unit as follows:

1. Set the ATTENUATIONS at MAX.
2. Input terminal: Cannon connector pin 2 is HOT, pins 1 and 3 GROUND.
3. MODE switch: BRIDGE
4. Output terminal: (A ch+, B ch+) RL = 4 + 4 ohm/more than 500 W
5. Connection for measuring: Measure the output at the point as shown below.



Adjustment Specifications

1. Gain Test

Check that the OUTPUT should be +22.1 +/-1.0 dBu, when a sine wave of 1 kHz at -10 dBu is applied to the INPUT.

2. Frequency Response Test

When a sine wave of 20 Hz, 1 kHz or 20 kHz at -10 dBu is applied to the INPUT, check that the output is 0 +/-0.5 dB at 20 Hz and -0.5 +/-0.5 dB at 20kHz taking the 1 kHz as a reference.

3. Harmonic Distortion Test

When a high quality sine wave is applied at 20 Hz, 1 kHz or 20 kHz, the harmonic distortion should be as follows:

Power output level (4 ohm)		THD		
		20 Hz	1 kHz	20 kHz
XS350	33.7 dBu	<= 0.1 %	<= 0.1 %	<= 0.1 %
XS250	32.2 dBu	<= 0.1 %	<= 0.1 %	<= 0.1 %

**This test should have been finished within 30 minutes.*

4. Noise Test

- 9-1 Set the input attenuator to "0".
- 9-2 Short the input with a 600 ohm load.
- 9-3 Measure at the output, noise level should be less than -60 dBm. (LR = 8 ohm)
- 9-4 Set the input attenuator to "∞", noise level should be less than -60 dBu

**Be careful that it is not affected by noise induced during this inspection.*

C Settings after the test

The attenuator should set to "∞".

The MODE switch should set to STEREO.

D Others

0 dBu = 0.775 V

When measuring noise level, use a DIN audio filter.

POWER AMPLIFIER

XS250/350

PARTS LIST

■ CONTENTS


OVERALL ASSEMBLY	2
PA UNIT	4
ELECTRICAL PARTS	5

Notes: DESTINATION ABBREVIATIONS

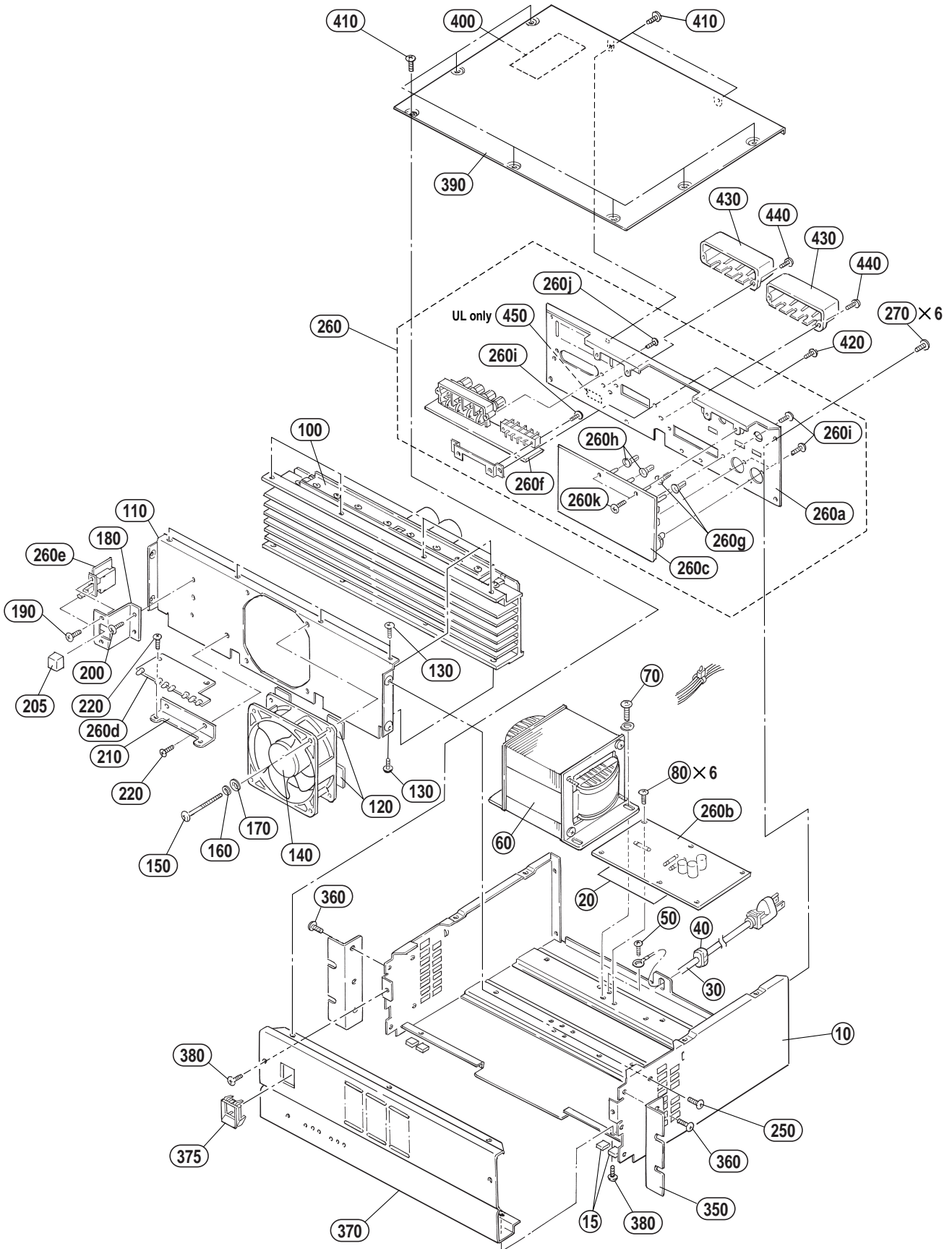
A : Australian model	J : Japanese model
B : British model	U : U.S. model
C : Canadian model	V : General export model (110V)
E : European model	W : General export model (220V)
H : North European model	X : General export model
I : Indonesian model	Y : Export model

- The numbers in "QTY" shows quantities for each unit.
- The parts with "--" in "Parts No." are not available as spare parts.
- The mark "}" in the remarks column indicates that these parts are interchangeable.

■ WARINIG

Components having special characteristics are marked  and must be replaced with parts having specifications equal to those originally installed.

OVERALL ASSEMBLY



REF NO.	PART NO.	DESCRIPTION	部 品 名	REMARKS	QTY	RANK
		OVERALL ASSEMBLY	総組立	XS350 XS250		
	--	Overall Assembly	総組立	XS350 U,V (V294020)		
	--	Overall Assembly	総組立	XS350 H,W (V294030)		
	--	Overall Assembly	総組立	XS350 B (V294040)		
	--	Overall Assembly	総組立	XS350 A (V294050)		
	--	Overall Assembly	総組立	XS250 U,V (V294060)		
	--	Overall Assembly	総組立	XS250 H,W (V294070)		
	--	Overall Assembly	総組立	XS250 B (V294080)		
	--	Overall Assembly	総組立	XS250 A (V294090)		
10	--	Main Chassis	メインシャーシ	(V294280)		
* 15	V3200700	Protector	プロテクター		4	
* 20	V2945100	Insulation Sheet	絶縁シート	PP 94V-0 T=0.46		
* 30	VZ021200	AC Cord	電源コード	UC SJT 3X#18 10A U,V		06
* 30	V2944000	AC Cord	電源コード	H H05VV-F0.75X3 6A H,W,A		
* 30	VZ021600	AC Cord	電源コード	BS H05VV-F 13A B		08
40	VV103100	Cord Strain Relief	コードストッパー	SR-6P1		01
50	VP156800	Bind Head Screw	+ バインド小ネジ	A4.0X8 MFZN2BL		01
* 60	XU903A00	Power Transformer	電源トランス	XS350 U,V		
* 60	XU904A00	Power Transformer	電源トランス	XS350 H,W,B		
* 60	XU905A00	Power Transformer	電源トランス	XS350 A		
* 60	XU900A00	Power Transformer	電源トランス	XS250 U,V		
* 60	XU901A00	Power Transformer	電源トランス	XS250 H,W,B		
* 60	XU902A00	Power Transformer	電源トランス	XS250 A		
70	VU688100	Bind Head Screw	+ バインド小ネジ	SP 5.0X10 MFZN2BL	4	01
80	EP600190	Bind Head Tapping Screw-B	+ バインド B タイ	3.0X8 MFZN2BL	6	01
90	--	Connector Assembly	束線 # 2 8	2426&2426 8P 120L (V288350)		
* 100	V2941500	PA Unit	P A ユニ	XS350		
* 100	V2941600	PA Unit	P A ユニ	XS250		
* 110	V2942900	FAN Angle	F A N ア			
* 120	V2945200	Packing	パ ッ キ		4	
130	EG340190	Bind Head Tapping Screw-B	+ バインド B タイ	4.0X8 MFZN2BL	8	01
* 140	V2945700	Fan	D C フ	KDE2412PMS3-6A/A47		
* 150	VB857700	Bind Head Screw	+ バインド小ネジ	4.0X45 MFZN2BL	4	
160	3765330	Spring Washer	バ ネ 座	#2 4.0 MFZN2BL	4	01
170	ET500040	Flat Washer	平 座 金	4.0X10X0.8 MFZN2BL	4	01
* 180	V2943000	PSW Angle	P S W ア			
190	VB659000	Bind Head Screw	+ バインド小ネジ	3.0X8 MFZN2BL	2	01
200	EP600190	Bind Head Tapping Screw-B	+ バインド B タイ	3.0X8 MFZN2BL	2	01
205	VU859000	Power Switch Knob	P S W ノ	SR200		01
* 210	V2943100	LED Angle	L E D ア			
220	EP600190	Bind Head Tapping Screw-B	+ バインド B タイ	3.0X8 MFZN2BL	4	01
* 230	--	Connector Assembly	束線 # 2 8	2426&2426 7P 200L (V288370)		
240	--	Cord Holder	インシュロックタイ	CV-100 (VV10460)		01
250	VR779900	Bonding Tapping Screw-B	ボンディング B タイ	4.0X8 MFZN2BL	4	01
* 260	V2941800	Rear Assembly	リア A s s ' y	XS350 U,V		
* 260	--	Rear Assembly	リア A s s ' y	XS350 H,W,B (V294190)		
* 260	--	Rear Assembly	リア A s s ' y	XS350 A (V294200)		
* 260	--	Rear Assembly	リア A s s ' y	XS250 U,V (V294210)		
* 260	--	Rear Assembly	リア A s s ' y	XS250 H,W,B (V294220)		
* 260	--	Rear Assembly	リア A s s ' y	XS250 A (V294230)		
* 260a	V2944100	Rear Panel	リア パ	XS350 U,V		
* 260a	V2944200	Rear Panel	リア パ	XS350 H,W,B		
* 260a	V2944300	Rear Panel	リア パ	XS350 A		
* 260a	V2944400	Rear Panel	リア パ	XS250 U,V		
* 260a	V2944500	Rear Panel	リア パ	XS250 H,W,B		
* 260a	V2944600	Rear Panel	リア パ	XS250 A		
* 260b	NX820500	Circuit Board	S U B シ	SUB3 1/5 P.SUPPLY XS350 U,V (1 / 5) (XV419B0)		
* 260b	NX820510	Circuit Board	S U B シ	SUB3 1/5 P.SUPPLY XS350 H,W,B,A (1 / 5) (XV419B0)		
* 260b	NX820440	Circuit Board	S U B シ	SUB3 1/5 P.SUPPLY XS350 H,W,B,A (1 / 5) (XV419B0)		
* 260b	NX820450	Circuit Board	S U B シ	SUB3 1/5 P.SUPPLY XS350 U,V (1 / 5) (XV419B0)		
* 260c	NX820520	Circuit Board	S U B シ	SUB3 2/5 MAIN XS250 U,V (2 / 5) (XV419B0)		
* 260c	NX820460	Circuit Board	S U B シ	SUB3 2/5 MAIN XS250 H,W,B,A (2 / 5) (XV419B0)		
* 260d	NX820530	Circuit Board	S U B シ	SUB2 3/5 LED XS250 H,W,B,A (3 / 5) (XV419B0)		
* 260d	NX820470	Circuit Board	S U B シ	SUB2 3/5 LED XS250 U,V (3 / 5) (XV419B0)		
* 260e	NX820540	Circuit Board	S U B シ	SUB2 4/5 P.SW XS350 (4 / 5) (XV419B0)		
* 260e	NX820480	Circuit Board	S U B シ	SUB2 4/5 P.SW XS250 H,W,B,A (4 / 5) (XV419B0)		
* 260f	NX820550	Circuit Board	S U B シ	SUB2 5/5 SPEAKER XS250 (5 / 5) (XV419B0)		
* 260f	NX820490	Circuit Board	S U B シ	SUB2 5/5 SPEAKER XS250 (5 / 5) (XV419B0)		
260g	VU859700	Knob	ノ	N-GRAY/D-GRAY XS350	2	01
260h	VU860400	Knob	ノ	RED/D-GRAY XS350 (XV419B0)	2	01

*: New parts

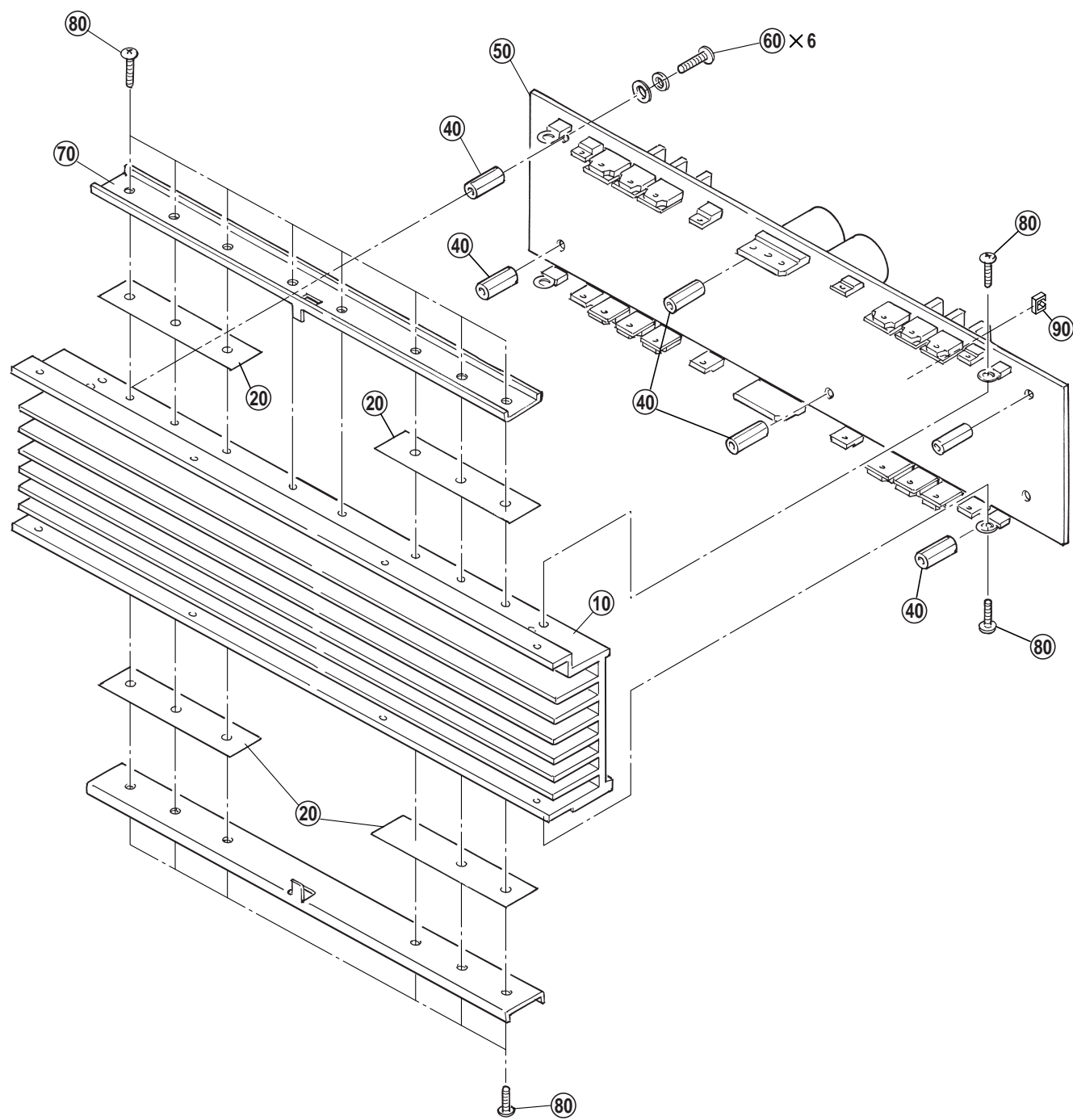
RANK: Japan only

REF NO.	PART NO.	DESCRIPTION	部 品 名	REMARKS	QTY	RANK
260i	VN413300	Bonding Tapping Screw-B	ボンディング B タイ	3.0X8 MFZN2BL	8	01
260j	VQ074600	Bind Head Tapping Screw-B	+ バインド B タイ	3.0X12 MFZN2BL	2	01
260k	EP600190	Bind Head Tapping Screw-B	+ バインド B タイ	3.0X8 MFZN2BL	2	01
270	VR779900	Bonding Tapping Screw-B	ボンディング B タイ	4.0X8 MFZN2BL	6	01
* 280	--	Connector Assembly	束線 # 2 8	2426&2426 5P 400L (V288360)		
* 290	--	Connector Assembly	束線	INA (V295010)		
* 300	--	Connector Assembly	束線	INB (V295020)		
340	--	Cord Holder	インシュロックタイ	CV-100 (VV10460)	5	01
* 350	V2943200	Rack Angle	ラック ア		2	
360	EG340190	Bind Head Tapping Screw-B	+ バインド B タイ	4.0X8 MFZN2BL	6	01
* 370	V2943300	Front Panel	フ ロ ン	XS350		
* 370	V2943400	Front Panel	フ ロ ン	XS250		
375	VU859100	Escutcheon, Power Switch	P S W エ	SR200		02
380	EG340190	Bind Head Tapping Screw-B	+ バインド B タイ	4.0X8 MFZN2BL	4	01
* 390	V2943600	Top Cover	ト ッ プ	XS,XH		
* 400	V2945300	Stopper Rubber	防 振	XS350		
410	EG340190	Bind Head Tapping Screw-B	+ バインド B タイ	4.0X8 MFZN2BL	9	01
420	VP156800	Bind Head Screw	+ バインド小ネジ	A4.0X8 MFZN2BL		01
430	VY938700	Cover, Speaker Terminal	S P タ	Q150/350/500	2	03
440	EP600190	Bind Head Tapping Screw-B	+ バインド B タイ	3.0X8 MFZN2BL	4	01
450	--	Label	ラ	U,V (VA03930)		03

*: New parts

RANK: Japan only

■ PA UNIT



REF NO.	PART NO.	DESCRIPTION	部 品 名	REMARKS	QTY	RANK
		PA UNIT	P A ユ ニ ッ ト	XS350 XS250		
*	V2941500	PA Unit	P A ユ ニ ッ ト	XS350		
*	V2941600	PA Unit	P A ユ ニ ッ ト	XS250		
10	-	Heat Sink	ヒ ー ト シ ン ク	(V294560)		
20	V2945400	Isolation Sheet A	放 熱 シ - ト A		4	
40	VV086500	Support	支 柱	H=7.4 B=5.5	6	01
50	V2899600	Circuit Board	P A シ - ト	XS350 (XV023B0)		
50	V2899500	Circuit Board	P A シ - ト	XS250 (XV023B0)		
60	EG330290	Bind Head Screw	+ バ イ ン ド 小 ネ ジ		6	01
70	-	Holder A	T r 押 え 金 具 A	(V294370)	2	
80	VQ074600	Bind Head Tapping Screw-B	+ バ イ ン ド B タ イ ト		20	01
90	V3200600	Clamp	ミ ニ ク ラ ン プ		3	

*: New parts

RANK: Japan only

ELECTRICAL PARTS

REF NO.	PART NO.	DESCRIPTION	部 品 名	REMARKS	QTY	RANK
		ELECTRICAL PARTS	電 気 部 品	XS350 XS250		
*	V2899600	Circuit Board	PA35	XS350 (XV023C0)		
*	V2899500	Circuit Board	PA25	XS250 (XV023C0)		
*	NX820500	Circuit Board	SUB3 1/5	XS350 U,V (XV419C0)		
*	NX820510	Circuit Board	SUB3 1/5	XS350 H,W,B,A (XV419C0)		
*	NX820520	Circuit Board	SUB3 2/5	XS350 (XV419C0)		
*	NX820530	Circuit Board	SUB3 3/5	XS350 (XV419C0)		
*	NX820540	Circuit Board	SUB3 4/5	XS350 (XV419C0)		
*	NX820550	Circuit Board	SUB3 5/5	XS350 (XV419C0)		
*	NX820440	Circuit Board	SUB2 1/5	XS250 U,V (XV419C0)		
*	NX820450	Circuit Board	SUB2 1/5	XS250 H,W,B,A (XV419C0)		
*	NX820460	Circuit Board	SUB2 2/5	XS250 (XV419C0)		
*	NX820470	Circuit Board	SUB2 3/5	XS250 (XV419C0)		
*	NX820480	Circuit Board	SUB2 4/5	XS250 (XV419C0)		
*	NX820490	Circuit Board	SUB2 5/5	XS250 (XV419C0)		
	--	Jumper Wire		(VV29140)		
C201	VZ004000	Electrolytic Cap.	2.2 200.0V	ジャンパー線		01
C202	VZ004000	Electrolytic Cap.	2.2 200.0V	ケミコン S K		01
C203	UJ847470	Electrolytic Cap.	47.00 25.0V	ケミコン		01
C204	VZ353500	Ceramic Capacitor-SL	100P 50V J	セラコン (S L)		01
C205	UJ828100	Electrolytic Cap.	100.00 10.0V	ケミコン		01
C206	FU451330	Mica Capacitor	33P 500V J	マイカコン		01
C207	VV060100	Mylar Capacitor	1500P 50V J	マイラコン		08
C208	VZ354000	Ceramic Capacitor-F	0.0100 50V Z	セラコン F		01
C209	FU451220	Mica Capacitor	22P 500V J	マイカコン		01
C210	FU451220	Mica Capacitor	22P 500V J	マイカコン		01
C211	UJ847100	Electrolytic Cap.	10.00 25.0V	ケミコン		01
C212	VZ354000	Ceramic Capacitor-F	0.0100 50V Z	セラコン F		01
C213	VZ354000	Ceramic Capacitor-F	0.0100 50V Z	セラコン F		01
C214	UJ896470	Electrolytic Cap.	4.7 100.0V	ケミコン		01
C215	UJ896470	Electrolytic Cap.	4.7 100.0V	ケミコン		01
C216	VZ004200	Mylar Capacitor	0.1000 100V M	フィルムコン		01
C217	VZ004200	Mylar Capacitor	0.1000 100V M	フィルムコン		01
C218	VZ012200	Ceramic Capacitor-B	0.001 500V K	セラコン B		01
C219	VZ012200	Ceramic Capacitor-B	0.001 500V K	セラコン B		01
C301	VZ004000	Electrolytic Cap.	2.2 200.0V	ケミコン S K		01
C302	VZ004000	Electrolytic Cap.	2.2 200.0V	ケミコン S K		01
C303	UJ847470	Electrolytic Cap.	47.00 25.0V	ケミコン		01
C304	VZ353500	Ceramic Capacitor-SL	100P 50V J	セラコン (S L)		01
C305	UJ828100	Electrolytic Cap.	100.00 10.0V	ケミコン		01
C306	FU451330	Mica Capacitor	33P 500V J	マイカコン		01
C307	VV060100	Mylar Capacitor	1500P 50V J	マイラコン		08
C308	VZ354000	Ceramic Capacitor-F	0.0100 50V Z	セラコン F		01
C309	FU451220	Mica Capacitor	22P 500V J	マイカコン		01
C310	FU451220	Mica Capacitor	22P 500V J	マイカコン		01
C311	UJ847100	Electrolytic Cap.	10.00 25.0V	ケミコン		01
C312	VZ354000	Ceramic Capacitor-F	0.0100 50V Z	セラコン F		01
C313	VZ354000	Ceramic Capacitor-F	0.0100 50V Z	セラコン F		01
C314	UJ896470	Electrolytic Cap.	4.7 100.0V	ケミコン		01
C315	UJ896470	Electrolytic Cap.	4.7 100.0V	ケミコン		01
C316	VZ004200	Mylar Capacitor	0.1000 100V M	フィルムコン		01
C317	VZ004200	Mylar Capacitor	0.1000 100V M	フィルムコン		01
C318	VZ012200	Ceramic Capacitor-B	0.001 500V K	セラコン B		01
C319	VZ012200	Ceramic Capacitor-B	0.001 500V K	セラコン B		01
* C401	V3532400	Mylar Capacitor	0.47 250V M	フィルムコン		
* C402	V3532400	Mylar Capacitor	0.47 250V M	フィルムコン		
C403	VY897000	Electrolytic Cap.	6800 100V	ケミコン	XS350	08
-406	VY897000	Electrolytic Cap.	6800 100V	ケミコン	XS350	08
C403	VV082100	Electrolytic Cap.	6800 80V	ケミコン	XS250	08
-406	VV082100	Electrolytic Cap.	6800 80V	ケミコン	XS250	08
C407	UJ867470	Electrolytic Cap.	47.00 50.0V	ケミコン		01
C408	UJ866470	Electrolytic Cap.	4.70 50.0V	ケミコン		01
D201	VD631600	Diode	1SS133,176,HSS104	ダイオード		01
-206	VD631600	Diode	1SS133,176,HSS104	ダイオード		01
D207	IF005560	Diode	1SS82TD	ダイオード		01
D208	IF005560	Diode	1SS82TD	ダイオード		01
D209	VU801600	Diode	1N4004L 26	ダイオード		01
D210	VU801600	Diode	1N4004L 26	ダイオード		01
D301	VD631600	Diode	1SS133,176,HSS104	ダイオード		01

*: New parts

RANK: Japan only

REF NO.	PART NO.	DESCRIPTION	部 品 名	REMARKS	QTY	RANK
-306	VD631600	Diode	1SS133,176,HSS104	ダイオード		01
D307	IF005560	Diode	1SS82TD	ダイオード		01
D308	IF005560	Diode	1SS82TD	ダイオード		01
D309	VU801600	Diode	1N4004L 26	ダイオード		01
D310	VU801600	Diode	1N4004L 26	ダイオード		01
D401	VR149900	Diode Stack	D25XB60 25.0A 600V	ダイオードスタック		06
D402	VD631600	Diode	1SS133,176,HSS104	ダイオード		01
D403	VU801600	Diode	1N4004L 26	ダイオード		01
L201	VR150900	Coil	RZ-001 21mm	空芯コイル		02
L301	VR150900	Coil	RZ-001 21mm	空芯コイル		02
Q201	IA097030	Transistor	2SA970 GR,BL	トランジスタ		01
-203	IA097030	Transistor	2SA970 GR,BL	トランジスタ		01
Q204	IC224030	Transistor	2SC2240 GR,BL	トランジスタ		01
-206	IC224030	Transistor	2SC2240 GR,BL	トランジスタ		01
Q207	IC1815M0	Transistor	2SC1815 Y,GR	トランジスタ		01
Q208	VR152800	Transistor	2SA1480 E,F	トランジスタ		02
Q209	IA101590	Transistor	2SA1015 O,Y	トランジスタ		01
Q210	VR152900	Transistor	2SC3790 E,F	トランジスタ		02
Q211	VQ547300	Transistor	2SC4793 (HFE)	トランジスタ		03
Q212	V2797700	Transistor	2SC5395 E,F	トランジスタ		01
Q213	V2797600	Transistor	2SA1993 E,F	トランジスタ		01
Q214	VR152900	Transistor	2SC3790 E,F	トランジスタ		02
Q215	VR152800	Transistor	2SA1480 E,F	トランジスタ		02
Q216	VQ547300	Transistor	2SC4793 (HFE)	トランジスタ		03
Q217	VQ547200	Transistor	2SA1837 (HFE)	トランジスタ		03
Q301	IA097030	Transistor	2SA970 GR,BL	トランジスタ		01
-303	IA097030	Transistor	2SA970 GR,BL	トランジスタ		01
Q304	IC224030	Transistor	2SC2240 GR,BL	トランジスタ		01
-306	IC224030	Transistor	2SC2240 GR,BL	トランジスタ		01
Q307	IC1815M0	Transistor	2SC1815 Y,GR	トランジスタ		01
Q308	VR152800	Transistor	2SA1480 E,F	トランジスタ		02
Q309	IA101590	Transistor	2SA1015 O,Y	トランジスタ		01
Q310	VR152900	Transistor	2SC3790 E,F	トランジスタ		02
Q311	VQ547300	Transistor	2SC4793 (HFE)	トランジスタ		03
Q312	V2797700	Transistor	2SC5395 E,F	トランジスタ		01
Q313	V2797600	Transistor	2SA1993 E,F	トランジスタ		01
Q314	VR152900	Transistor	2SC3790 E,F	トランジスタ		02
Q315	VR152800	Transistor	2SA1480 E,F	トランジスタ		02
Q316	VQ547300	Transistor	2SC4793 (HFE)	トランジスタ		03
Q317	VQ547200	Transistor	2SA1837 (HFE)	トランジスタ		03
Q401	V2797700	Transistor	2SC5395 E,F	トランジスタ		01
Q402	V2797600	Transistor	2SA1993 E,F	トランジスタ		01
Q403	VS883300	Transistor	2SB1565 E,F	トランジスタ		02
R201	HF455100	Carbon Resistor	100.0 1/4 J	カーボン抵抗		01
R202	VV312900	Metal Film Resistor	22K 1/4 F	金属被膜抵抗		01
R203	VZ010600	Metal Film Resistor	560.0 1/4 F	金属被膜抵抗		01
R204	HF455560	Carbon Resistor	560.0 1/4 J	カーボン抵抗		01
R205	HF457100	Carbon Resistor	10.0K 1/4 J	カーボン抵抗		01
R206	HF458330	Carbon Resistor	330.0K 1/4 J	カーボン抵抗		01
R207	HF455560	Carbon Resistor	560.0 1/4 J	カーボン抵抗		01
R208	HF455560	Carbon Resistor	560.0 1/4 J	カーボン抵抗		01
R209	VV065600	Metal Film Resistor	11K 1/4 F	金属被膜抵抗		05
R210	VV065600	Metal Film Resistor	11K 1/4 F	金属被膜抵抗		05
R211	HF455220	Carbon Resistor	220.0 1/4 J	カーボン抵抗		01
R212	HF457470	Carbon Resistor	47.0K 1/4 J	カーボン抵抗		01
R213	HF457470	Carbon Resistor	47.0K 1/4 J	カーボン抵抗		01
R214	HF455330	Carbon Resistor	330.0 1/4 J	カーボン抵抗		01
R215	HF457470	Carbon Resistor	47.0K 1/4 J	カーボン抵抗		01
-218	HF457470	Carbon Resistor	47.0K 1/4 J	カーボン抵抗		01
R219	HF455330	Carbon Resistor	330.0 1/4 J	カーボン抵抗		01
R220	HF455330	Carbon Resistor	330.0 1/4 J	カーボン抵抗		01
R221	VZ008800	Flame Proof C. Resistor	22.0 1/4 J	不燃化カーボン抵抗		01
R222	VZ008800	Flame Proof C. Resistor	22.0 1/4 J	不燃化カーボン抵抗		01
R223	HF456220	Carbon Resistor	2.2K 1/4 J	カーボン抵抗		01
R224	HF455330	Carbon Resistor	330.0 1/4 J	カーボン抵抗		01
R225	HF455270	Carbon Resistor	270.0 1/4 J	カーボン抵抗		01
R226	HF457150	Carbon Resistor	15.0K 1/4 J	カーボン抵抗	XS350	01
R226	HF457100	Carbon Resistor	10.0K 1/4 J	カーボン抵抗	XS250	01
R227	HF457100	Carbon Resistor	10.0K 1/4 J	カーボン抵抗		01
R228	HF457100	Carbon Resistor	10.0K 1/4 J	カーボン抵抗	XS250	01

*: New parts

RANK: Japan only

REF NO.	PART NO.	DESCRIPTION	部 品 名	REMARKS	QTY	RANK
R228	HF457150	Carbon Resistor	15.0K 1/4 J	力 - ボン 抵 抗	XS350	01
R229	HF457100	Carbon Resistor	10.0K 1/4 J	力 - ボン 抵 抗		01
R230	VV276800	Flame Proof C. Resistor	100 1/4 J	不 燃 化 カ - ボン 抵 抗		01
R231	VZ008800	Flame Proof C. Resistor	22.0 1/4 J	不 燃 化 カ - ボン 抵 抗	XS350	01
-233	VZ008800	Flame Proof C. Resistor	22.0 1/4 J	不 燃 化 カ - ボン 抵 抗		01
R234	VZ008800	Flame Proof C. Resistor	22.0 1/4 J	不 燃 化 カ - ボン 抵 抗		01
R235	VV276800	Flame Proof C. Resistor	100 1/4 J	不 燃 化 カ - ボン 抵 抗	XS350	01
R236	VZ008800	Flame Proof C. Resistor	22.0 1/4 J	不 燃 化 カ - ボン 抵 抗		01
-238	VZ008800	Flame Proof C. Resistor	22.0 1/4 J	不 燃 化 カ - ボン 抵 抗		01
R239	VZ008800	Flame Proof C. Resistor	22.0 1/4 J	不 燃 化 カ - ボン 抵 抗	XS350	01
R240	VV313900	Flame Proof C. Resistor	680.0 1/4 J	不 燃 化 カ - ボン 抵 抗		01
R241	VZ008800	Flame Proof C. Resistor	22.0 1/4 J	不 燃 化 カ - ボン 抵 抗		XS350
-243	VZ008800	Flame Proof C. Resistor	22.0 1/4 J	不 燃 化 カ - ボン 抵 抗	01	
R244	VZ008800	Flame Proof C. Resistor	22.0 1/4 J	不 燃 化 カ - ボン 抵 抗	01	
R245	VV313900	Flame Proof C. Resistor	680.0 1/4 J	不 燃 化 カ - ボン 抵 抗	XS350	01
R246	VZ008800	Flame Proof C. Resistor	22.0 1/4 J	不 燃 化 カ - ボン 抵 抗		01
-248	VZ008800	Flame Proof C. Resistor	22.0 1/4 J	不 燃 化 カ - ボン 抵 抗		01
R249	VZ008800	Flame Proof C. Resistor	22.0 1/4 J	不 燃 化 カ - ボン 抵 抗	XS350	01
R250	VZ009300	Flame Proof C. Resistor	330.0 1/4 J	不 燃 化 カ - ボン 抵 抗		01
R251	VZ009100	Flame Proof C. Resistor	33.0 1/4 J	不 燃 化 カ - ボン 抵 抗		01
R252	VZ370100	Wire Wound Resistor	0.47 5W K	セ メ ン ト 抵 抗	XS350	02
-254	VZ370100	Wire Wound Resistor	0.47 5W K	セ メ ン ト 抵 抗		02
R255	VZ370100	Wire Wound Resistor	0.47 5W K	セ メ ン ト 抵 抗		02
R256	VZ009300	Flame Proof C. Resistor	330.0 1/4 J	不 燃 化 カ - ボン 抵 抗	XS350	01
R257	VZ009100	Flame Proof C. Resistor	33.0 1/4 J	不 燃 化 カ - ボン 抵 抗		01
R258	VZ370100	Wire Wound Resistor	0.47 5W K	セ メ ン ト 抵 抗		XS350
-260	VZ370100	Wire Wound Resistor	0.47 5W K	セ メ ン ト 抵 抗	02	
R261	VZ370100	Wire Wound Resistor	0.47 5W K	セ メ ン ト 抵 抗	02	
R262	V2961000	Metal Oxide Film Resistor	4.7 2W J	サ ン キ ン 抵 抗	XS350	02
R263	V2961000	Metal Oxide Film Resistor	4.7 2W J	サ ン キ ン 抵 抗		02
R264	VV276700	Flame Proof C. Resistor	4.7 1/4 J	不 燃 化 カ - ボン 抵 抗		01
R265	HF457270	Carbon Resistor	27.0K 1/4 J	力 - ボン 抵 抗	XS350	01
R266	HF458150	Carbon Resistor	150.0K 1/4 J	力 - ボン 抵 抗		01
R301	HF455100	Carbon Resistor	100.0 1/4 J	力 - ボン 抵 抗		01
R302	VV312900	Metal Film Resistor	22K 1/4 F	金 属 被 膜 抵 抗	XS350	01
R303	VZ010600	Metal Film Resistor	560.0 1/4 F	金 属 被 膜 抵 抗		01
R304	HF455560	Carbon Resistor	560.0 1/4 J	力 - ボン 抵 抗		01
R305	HF457100	Carbon Resistor	10.0K 1/4 J	力 - ボン 抵 抗	XS350	01
R306	HF458330	Carbon Resistor	330.0K 1/4 J	力 - ボン 抵 抗		01
R307	HF455560	Carbon Resistor	560.0 1/4 J	力 - ボン 抵 抗		01
R308	HF455560	Carbon Resistor	560.0 1/4 J	力 - ボン 抵 抗	XS350	01
R309	VV065600	Metal Film Resistor	11K 1/4 F	金 属 被 膜 抵 抗		05
R310	VV065600	Metal Film Resistor	11K 1/4 F	金 属 被 膜 抵 抗		05
R311	HF455220	Carbon Resistor	220.0 1/4 J	力 - ボン 抵 抗	XS350	01
R312	HF457470	Carbon Resistor	47.0K 1/4 J	力 - ボン 抵 抗		01
R313	HF457470	Carbon Resistor	47.0K 1/4 J	力 - ボン 抵 抗		01
R314	HF455330	Carbon Resistor	330.0 1/4 J	力 - ボン 抵 抗	XS350	01
R315	HF457470	Carbon Resistor	47.0K 1/4 J	力 - ボン 抵 抗		01
-318	HF457470	Carbon Resistor	47.0K 1/4 J	力 - ボン 抵 抗		01
R319	HF455330	Carbon Resistor	330.0 1/4 J	力 - ボン 抵 抗	XS350	01
R320	HF455330	Carbon Resistor	330.0 1/4 J	力 - ボン 抵 抗		01
R321	VZ008800	Flame Proof C. Resistor	22.0 1/4 J	不 燃 化 カ - ボン 抵 抗		01
R322	VZ008800	Flame Proof C. Resistor	22.0 1/4 J	不 燃 化 カ - ボン 抵 抗	XS350	01
R323	HF456220	Carbon Resistor	2.2K 1/4 J	力 - ボン 抵 抗		01
R324	HF455330	Carbon Resistor	330.0 1/4 J	力 - ボン 抵 抗		01
R325	HF455270	Carbon Resistor	270.0 1/4 J	力 - ボン 抵 抗	XS350	01
R326	HF457150	Carbon Resistor	15.0K 1/4 J	力 - ボン 抵 抗		01
R326	HF457100	Carbon Resistor	10.0K 1/4 J	力 - ボン 抵 抗		XS250
R327	HF457100	Carbon Resistor	10.0K 1/4 J	力 - ボン 抵 抗	XS350	01
R328	HF457150	Carbon Resistor	15.0K 1/4 J	力 - ボン 抵 抗		01
R328	HF457100	Carbon Resistor	10.0K 1/4 J	力 - ボン 抵 抗		XS250
R329	HF457100	Carbon Resistor	10.0K 1/4 J	力 - ボン 抵 抗	XS350	01
R330	VV276800	Flame Proof C. Resistor	100 1/4 J	不 燃 化 カ - ボン 抵 抗		01
R331	VZ008800	Flame Proof C. Resistor	22.0 1/4 J	不 燃 化 カ - ボン 抵 抗		01
-333	VZ008800	Flame Proof C. Resistor	22.0 1/4 J	不 燃 化 カ - ボン 抵 抗	XS350	01
R334	VZ008800	Flame Proof C. Resistor	22.0 1/4 J	不 燃 化 カ - ボン 抵 抗		01
R335	VV276800	Flame Proof C. Resistor	100 1/4 J	不 燃 化 カ - ボン 抵 抗		01
R336	VZ008800	Flame Proof C. Resistor	22.0 1/4 J	不 燃 化 カ - ボン 抵 抗	XS350	01
-338	VZ008800	Flame Proof C. Resistor	22.0 1/4 J	不 燃 化 カ - ボン 抵 抗		01
R339	VZ008800	Flame Proof C. Resistor	22.0 1/4 J	不 燃 化 カ - ボン 抵 抗		01

*: New parts

RANK: Japan only

REF NO.	PART NO.	DESCRIPTION	部 品 名	REMARKS	QTY	RANK
R340	VV313900	Flame Proof C. Resistor	680.0 1/4 J	不 燃 化 カ ー ボ ン 抵 抗		01
R341	VZ008800	Flame Proof C. Resistor	22.0 1/4 J	不 燃 化 カ ー ボ ン 抵 抗		01
-343	VZ008800	Flame Proof C. Resistor	22.0 1/4 J	不 燃 化 カ ー ボ ン 抵 抗		01
R344	VZ008800	Flame Proof C. Resistor	22.0 1/4 J	不 燃 化 カ ー ボ ン 抵 抗	XS350	01
R345	VV313900	Flame Proof C. Resistor	680.0 1/4 J	不 燃 化 カ ー ボ ン 抵 抗		01
R346	VZ008800	Flame Proof C. Resistor	22.0 1/4 J	不 燃 化 カ ー ボ ン 抵 抗		01
-348	VZ008800	Flame Proof C. Resistor	22.0 1/4 J	不 燃 化 カ ー ボ ン 抵 抗		01
R349	VZ008800	Flame Proof C. Resistor	22.0 1/4 J	不 燃 化 カ ー ボ ン 抵 抗	XS350	01
R350	VZ009300	Flame Proof C. Resistor	330.0 1/4 J	不 燃 化 カ ー ボ ン 抵 抗		01
R351	VZ009100	Flame Proof C. Resistor	33.0 1/4 J	不 燃 化 カ ー ボ ン 抵 抗		01
R352	VZ370100	Wire Wound Resistor	0.47 5W K	セ メ ン ト 抵 抗		02
-354	VZ370100	Wire Wound Resistor	0.47 5W K	セ メ ン ト 抵 抗		02
R355	VZ370100	Wire Wound Resistor	0.47 5W K	セ メ ン ト 抵 抗	XS350	02
R356	VZ009300	Flame Proof C. Resistor	330.0 1/4 J	不 燃 化 カ ー ボ ン 抵 抗		01
R357	VZ009100	Flame Proof C. Resistor	33.0 1/4 J	不 燃 化 カ ー ボ ン 抵 抗		01
R358	VZ370100	Wire Wound Resistor	0.47 5W K	セ メ ン ト 抵 抗		02
-360	VZ370100	Wire Wound Resistor	0.47 5W K	セ メ ン ト 抵 抗		02
R361	VZ370100	Wire Wound Resistor	0.47 5W K	セ メ ン ト 抵 抗	XS350	02
R362	V2961000	Metal Oxide Film Resistor	4.7 2W J	サ ン キ ン 抵 抗		01
R363	V2961000	Metal Oxide Film Resistor	4.7 2W J	サ ン キ ン 抵 抗		01
R364	VV276700	Flame Proof C. Resistor	4.7 1/4 J	不 燃 化 カ ー ボ ン 抵 抗		01
R365	HF457270	Carbon Resistor	27.0K 1/4 J	カ ー ボ ン 抵 抗		01
R366	HF458150	Carbon Resistor	150.0K 1/4 J	カ ー ボ ン 抵 抗		01
R401	HF457100	Carbon Resistor	10.0K 1/4 J	カ ー ボ ン 抵 抗		01
R402	HF456820	Carbon Resistor	8.2K 1/4 J	カ ー ボ ン 抵 抗		01
-403	HF456820	Carbon Resistor	8.2K 1/4 J	カ ー ボ ン 抵 抗		01
R404	HF455220	Carbon Resistor	220.0 1/4 J	カ ー ボ ン 抵 抗		01
R405	HF455220	Carbon Resistor	220.0 1/4 J	カ ー ボ ン 抵 抗		01
W201	--	Connector Assembly	OUT	東	(V295050)	
CN201	VV066300	Connector Base Post	M2426XX 3P TE	コネクタベースポスト		01
CN202	VV067600	Connector Base Post	M2426XXR 2P SE	コネクタベースポスト		01
CN301	VV066400	Connector Base Post	M2426XX 4P TE	コネクタベースポスト		01
CN302	VV067600	Connector Base Post	M2426XXR 2P SE	コネクタベースポスト		01
CN401	VZ005700	Fasten Terminal	TP82223-22	ファストン端子		01
CN403	VZ005700	Fasten Terminal	TP82223-22	ファストン端子		01
CN404	VV066800	Connector Base Post	M2426XX 8P TE	コネクタベースポスト		01
CN405	VV066200	Connector Base Post	M2426XX 2P TE	コネクタベースポスト		01
CN406	VV066700	Connector Base Post	M2426XX 7P TE	コネクタベースポスト		01
CN408	VZ005700	Fasten Terminal		ファストン端子		01
-410	VZ005700	Fasten Terminal		ファストン端子		01
PR401	VL965100	Positive Thermistor	PTH9M04BE222TS2	ボジスタ		04
PR402	VL965100	Positive Thermistor	PTH9M04BE222TS2	ボジスタ		04
PR403	VL964800	Positive Thermistor	PTH9M04BH222TS2	ボジスタ		04
PR404	VL964800	Positive Thermistor	PTH9M04BH222TS2	ボジスタ		04
Q218N	V2950000	Pair Transistor	A1695/C4468(Z)	ペアトランジスタ		
-220N	V2950000	Pair Transistor	A1695/C4468(Z)	ペアトランジスタ		
Q221N	V2950000	Pair Transistor	A1695/C4468(Z)	ペアトランジスタ	XS350	
Q222N	V2950000	Pair Transistor	A1695/C4468(Z)	ペアトランジスタ		
-224N	V2950000	Pair Transistor	A1695/C4468(Z)	ペアトランジスタ		
Q225P	V2950000	Pair Transistor	A1695/C4468(Z)	ペアトランジスタ	XS350	
Q318N	V2950000	Pair Transistor	A1695/C4468(Z)	ペアトランジスタ		
-320P	V2950000	Pair Transistor	A1695/C4468(Z)	ペアトランジスタ		
Q321P	V2950000	Pair Transistor	A1695/C4468(Z)	ペアトランジスタ	XS350	
Q322P	V2950000	Pair Transistor	A1695/C4468(Z)	ペアトランジスタ		
-324P	V2950000	Pair Transistor	A1695/C4468(Z)	ペアトランジスタ		
Q325P	V2950000	Pair Transistor	A1695/C4468(Z)	ペアトランジスタ	XS350	
RY201	VV315400	Relay	DC OSA-SH-224DM3M	リレー 2 4 V		06
RY301	VV315400	Relay	DC OSA-SH-224DM3M	リレー 2 4 V		06
VR201	VZ352000	Trimmer Potentiometer	B 500 3P	半 固 定 V R		01
VR301	VZ352000	Trimmer Potentiometer	B 500 3P	半 固 定 V R		01
ZD401	VG438900	Zener Diode	MTZ J 8.2B 8.2V	ツェナーダイオード		01
ZD402	VG437700	Zener Diode	MTZ J 5.6B 5.6V	ツェナーダイオード		01
	NX820500	Circuit Board	SUB3 1/5	S U B シ ー ト (1 / 5)	XS350 U,V (XV419B0)	
	NX820510	Circuit Board	SUB3 1/5	S U B シ ー ト (1 / 5)	XS350 H,W,B,A (XV419B0)	
	NX820520	Circuit Board	SUB3 2/5	S U B シ ー ト (2 / 5)	XS350 (XV419B0)	
	NX820530	Circuit Board	SUB3 3/5	S U B シ ー ト (3 / 5)	XS350 (XV419B0)	
	NX820540	Circuit Board	SUB3 4/5	S U B シ ー ト (4 / 5)	XS350 (XV419B0)	
	NX820550	Circuit Board	SUB3 5/5	S U B シ ー ト (5 / 5)	XS350 (XV419B0)	
	NX820440	Circuit Board	SUB2 1/5	シ - ト	XS250 U,V (XV419B0)	

*: New parts

RANK: Japan only

REF NO.	PART NO.	DESCRIPTION	部 品 名	REMARKS	QTY	RANK
*	NX820450	Circuit Board	SUB2 1/5	シ - ト XS250 H,W,B,A (XV419B0)		
*	NX820460	Circuit Board	SUB2 2/5	シ - ト XS250 (XV419B0)		
*	NX820470	Circuit Board	SUB2 3/5	シ - ト XS250 (XV419B0)		
*	NX820480	Circuit Board	SUB2 4/5	シ - ト XS250 (XV419B0)		
*	NX820490	Circuit Board	SUB2 5/5	シ - ト XS250 (XV419B0)		
	EP600140	Bind Head Tapping Screw-B	3.0X10 MFZN2BL	+ バインド B タイト		
	VV319600	Fuse Holder	CQ-05CT	ヒューズホルダ		01
	VZ956700	Treminal Angle	C-SERIES	ターミナルアングル 4P		01
	--	Jumper Wire		ジャンパー線	(VV29140)	03
* C101	VZ353300	Ceramic Capacitor-SL	56P 50V J	セラコン (S L)		
* C102	VZ353300	Ceramic Capacitor-SL	56P 50V J	セラコン (S L)		
* C103	VV062500	Mylar Capacitor	0.056 50V J	マイラーコン		
* C104	VV062500	Mylar Capacitor	0.056 50V J	マイラーコン		
* C105	VZ353300	Ceramic Capacitor-SL	56P 50V J	セラコン (S L)		
* C106	VZ353300	Ceramic Capacitor-SL	56P 50V J	セラコン (S L)		
* C107	VV062500	Mylar Capacitor	0.056 50V J	マイラーコン		
* C108	VV062500	Mylar Capacitor	0.056 50V J	マイラーコン		
* C109	VZ352700	Ceramic Capacitor-SL	10P 50V J	セラコン (S L)		01
C110	VZ354000	Ceramic Capacitor-F	0.0100 50V Z	セラコン F		01
	VZ354000	Ceramic Capacitor-F	0.0100 50V Z	セラコン F		01
C122	UJ867100	Electrolytic Cap.	10.00 50.0V	ケ ミ コ ン		01
C123	UJ867100	Electrolytic Cap.	10.00 50.0V	ケ ミ コ ン		01
C124	UJ867470	Electrolytic Cap.	47.00 50.0V	ケ ミ コ ン		01
C125	UJ867470	Electrolytic Cap.	47.00 50.0V	ケ ミ コ ン		01
C501	UJ866470	Electrolytic Cap.	4.70 50.0V	ケ ミ コ ン		01
C502	UJ866100	Electrolytic Cap.	1.00 50.0V	ケ ミ コ ン		01
C503	UJ866100	Electrolytic Cap.	1.00 50.0V	ケ ミ コ ン		01
C504	VZ353900	Ceramic Cap.-B	1000P 50V K	セラコン B		01
C505	VZ353900	Ceramic Cap.-B	1000P 50V K	セラコン B		01
C506	UJ866100	Electrolytic Cap.	1.00 50.0V	ケ ミ コ ン		01
C507	UJ866100	Electrolytic Cap.	1.00 50.0V	ケ ミ コ ン		01
C601	VV314800	Capacitor	1000P 400V J.U.C.S	規格認定コン		01
C602	VV314800	Capacitor	1000P 400V J.U.C.S	規格認定コン	XS350	01
C603	UJ659100	Electrolytic Cap.	1000 35.0V	ケ ミ コ ン		02
	UJ659100	Electrolytic Cap.	1000 35.0V	ケ ミ コ ン		02
C606	UJ866470	Electrolytic Cap.	4.70 50.0V	ケ ミ コ ン		01
C607	VZ353900	Ceramic Cap.-B	1000P 50V K	セラコン B		01
C608	VV330700	Electrolytic Cap.	470.00 10.0V	ケ ミ コ ン S M		01
C609	UJ847470	Electrolytic Cap.	47.00 25.0V	ケ ミ コ ン		01
C610	VZ354000	Ceramic Capacitor-F	0.0100 50V Z	セラコン F		01
C611	VZ004200	Mylar Capacitor	0.1000 100V M	フィルムコン		01
C612	VZ004200	Mylar Capacitor	0.1000 100V M	フィルムコン		01
D101	VD631600	Diode	1SS133,176,HSS104	ダイオード		01
	VD631600	Diode	1SS133,176,HSS104	ダイオード		01
D601	VU801600	Diode	1N4004L 26	ダイオード		01
	VU801600	Diode	1N4004L 26	ダイオード		01
D608	VD631600	Diode	1SS133,176,HSS104	ダイオード		01
* E101	V2520600	Circuit Board Holder		シートホルダー 6P		
F101	VV314500	Fuse	SIC(TL) 7.00A JU	ヒューズ	XS350 U,V	01
F101	VV071800	Fuse	TSD 4A 250V SEMKO	ヒューズ	XS350 H,W,B,A	01
F101	VS823400	Fuse	10.00A JUC	ヒューズ	XS250	01
* F101	VT943200	Fuse	TH 5.00A S	ヒューズ	XS250 A	
F102	VV314500	Fuse	SIC(TL) 7.00A JU	ヒューズ	XS350 U,V	01
F102	VV071800	Fuse	TSD 4A 250V SEMKO	ヒューズ	XS350 H,W,B,A	01
F103	VV070300	Fuse	TDS 1A 250V J/U/C	ヒューズ	U,V	01
F103	VV071200	Fuse	TSD 1A 250V SEMKO	ヒューズ	H,W,B,A	01
F104	VV070300	Fuse	TDS 1A 250V J/U/C	ヒューズ	U,V	01
F104	VV071200	Fuse	TSD 1A 250V SEMKO	ヒューズ	H,W,B,A	01
L101	V0076300	Coil	EI	コイル	XS350 H,W,B,A	06
Q501	V2797700	Transistor	2SC5395 E,F	トランジスタ		01
Q502	V2797700	Transistor	2SC5395 E,F	トランジスタ		01
Q503	VD678500	Digital Transistor	DTA114ES	デジタルトランジスタ		01
	VD678500	Digital Transistor	DTA114ES	デジタルトランジスタ		01
Q601	V2797600	Transistor	2SA1993 E,F	トランジスタ		01
	V2797700	Transistor	2SC5395 E,F	トランジスタ		01
Q607	VD678500	Digital Transistor	DTA114ES	デジタルトランジスタ		01
R101	VZ009900	Metal Film Resistor	15K 1/4 F	金属被膜抵抗		01
	VZ009900	Metal Film Resistor	15K 1/4 F	金属被膜抵抗		01
R105	HF454180	Carbon Resistor	18.0 1/4 J	カーボン抵抗		01
* R106	V2961100	Metal Film Resistor	9.1K 1/4 F	金属被膜抵抗		01

*: New parts

RANK: Japan only

REF NO.	PART NO.	DESCRIPTION	部 品 名	REMARKS	QTY	RANK
* R107	V2961100	Metal Film Resistor	9.1K 1/4 F	力 属 被 膜 抵 抗		
R108	HF456100	Carbon Resistor	1.0K 1/4 J	力 属 被 膜 抵 抗		01
* R109	V2729600	Metal Film Resistor	6.2K 1/4 F	力 属 被 膜 抵 抗		
R110	VV065500	Metal Film Resistor	10K 1/4 F	力 属 被 膜 抵 抗		01
R111	VV065500	Metal Film Resistor	10K 1/4 F	力 属 被 膜 抵 抗		01
R112	HF456100	Carbon Resistor	1.0K 1/4 J	力 属 被 膜 抵 抗		01
R113	HF454180	Carbon Resistor	18.0 1/4 J	力 属 被 膜 抵 抗		01
R114	VV065500	Metal Film Resistor	10K 1/4 F	力 属 被 膜 抵 抗		01
* R115	V2961200	Metal Film Resistor	1M 1/4 F	力 属 被 膜 抵 抗		
R116	VV065700	Metal Film Resistor	18K 1/4 F	力 属 被 膜 抵 抗		01
R117	HF456100	Carbon Resistor	1.0K 1/4 J	力 属 被 膜 抵 抗		01
* R118	V2961200	Metal Film Resistor	1M 1/4 F	力 属 被 膜 抵 抗		
R119	VV065700	Metal Film Resistor	18K 1/4 F	力 属 被 膜 抵 抗		01
R120	HF456100	Carbon Resistor	1.0K 1/4 J	力 属 被 膜 抵 抗		01
R121	HF454180	Carbon Resistor	18.0 1/4 J	力 属 被 膜 抵 抗		01
R122	VZ009900	Metal Film Resistor	15K 1/4 F	力 属 被 膜 抵 抗		01
-125	VZ009900	Metal Film Resistor	15K 1/4 F	力 属 被 膜 抵 抗		01
R126	HF454180	Carbon Resistor	18.0 1/4 J	力 属 被 膜 抵 抗		10
* R127	V2961100	Metal Film Resistor	9.1K 1/4 F	力 属 被 膜 抵 抗		
R128	HF456100	Carbon Resistor	1.0K 1/4 J	力 属 被 膜 抵 抗		01
* R129	V2961100	Metal Film Resistor	9.1K 1/4 F	力 属 被 膜 抵 抗		
R130	V2729600	Metal Film Resistor	6.2K 1/4 F	力 属 被 膜 抵 抗		01
R131	VV065500	Metal Film Resistor	10K 1/4 F	力 属 被 膜 抵 抗		01
R132	HF456100	Carbon Resistor	1.0K 1/4 J	力 属 被 膜 抵 抗		01
R133	VV065500	Metal Film Resistor	10K 1/4 F	力 属 被 膜 抵 抗		01
R134	VV065500	Metal Film Resistor	10K 1/4 F	力 属 被 膜 抵 抗		01
R135	HF454180	Carbon Resistor	18.0 1/4 J	力 属 被 膜 抵 抗		01
* R136	V2961200	Metal Film Resistor	1M 1/4 F	力 属 被 膜 抵 抗		
R137	VV065700	Metal Film Resistor	18K 1/4 F	力 属 被 膜 抵 抗		01
R138	HF456100	Carbon Resistor	1.0K 1/4 J	力 属 被 膜 抵 抗		01
* R139	V2961200	Metal Film Resistor	1M 1/4 F	力 属 被 膜 抵 抗		
R140	VV065700	Metal Film Resistor	18K 1/4 F	力 属 被 膜 抵 抗		01
R141	HF456100	Carbon Resistor	1.0K 1/4 J	力 属 被 膜 抵 抗		01
R142	HF454180	Carbon Resistor	18.0 1/4 J	力 属 被 膜 抵 抗		05
R143	VV065200	Metal Film Resistor	4.7K 1/4 F	力 属 被 膜 抵 抗		01
R144	VV065100	Metal Film Resistor	2.2K 1/4 F	力 属 被 膜 抵 抗		05
R145	VV065200	Metal Film Resistor	4.7K 1/4 F	力 属 被 膜 抵 抗		01
R146	HF454180	Carbon Resistor	18.0 1/4 J	力 属 被 膜 抵 抗		01
R147	HF456100	Carbon Resistor	1.0K 1/4 J	力 属 被 膜 抵 抗		01
R148	VV065200	Metal Film Resistor	4.7K 1/4 F	力 属 被 膜 抵 抗		05
R501	HF456470	Carbon Resistor	4.7K 1/4 J	力 属 被 膜 抵 抗		01
R502	HF457100	Carbon Resistor	10.0K 1/4 J	力 属 被 膜 抵 抗		01
R503	HF455220	Carbon Resistor	220.0 1/4 J	力 属 被 膜 抵 抗		01
R504	HF456470	Carbon Resistor	4.7K 1/4 J	力 属 被 膜 抵 抗		01
R505	HF455220	Carbon Resistor	220.0 1/4 J	力 属 被 膜 抵 抗		01
R506	HF456470	Carbon Resistor	4.7K 1/4 J	力 属 被 膜 抵 抗		01
R507	HF457100	Carbon Resistor	10.0K 1/4 J	力 属 被 膜 抵 抗		01
R508	HF455220	Carbon Resistor	220.0 1/4 J	力 属 被 膜 抵 抗		01
R509	HF456470	Carbon Resistor	4.7K 1/4 J	力 属 被 膜 抵 抗		01
R510	HF455220	Carbon Resistor	220.0 1/4 J	力 属 被 膜 抵 抗		01
R511	HF457820	Carbon Resistor	82.0K 1/4 J	力 属 被 膜 抵 抗		01
R512	HF456120	Carbon Resistor	1.2K 1/4 J	力 属 被 膜 抵 抗		01
-523	HF456120	Carbon Resistor	1.2K 1/4 J	力 属 被 膜 抵 抗		01
R601	HF457150	Carbon Resistor	15.0K 1/4 J	力 属 被 膜 抵 抗		01
R602	HF457220	Carbon Resistor	22.0K 1/4 J	力 属 被 膜 抵 抗		01
R603	HF457470	Carbon Resistor	47.0K 1/4 J	力 属 被 膜 抵 抗		01
R604	HF458150	Carbon Resistor	150.0K 1/4 J	力 属 被 膜 抵 抗		01
R605	HF457100	Carbon Resistor	10.0K 1/4 J	力 属 被 膜 抵 抗		01
R606	HF457560	Carbon Resistor	56.0K 1/4 J	力 属 被 膜 抵 抗		01
R607	HF457100	Carbon Resistor	10.0K 1/4 J	力 属 被 膜 抵 抗		01
R608	HF458100	Carbon Resistor	100.0K 1/4 J	力 属 被 膜 抵 抗		01
R609	HF457680	Carbon Resistor	68.0K 1/4 J	力 属 被 膜 抵 抗		01
R610	HF456120	Carbon Resistor	1.2K 1/4 J	力 属 被 膜 抵 抗		01
R611	HF457560	Carbon Resistor	56.0K 1/4 J	力 属 被 膜 抵 抗		01
R612	HF456220	Carbon Resistor	2.2K 1/4 J	力 属 被 膜 抵 抗		01
* W601	--	Connector Assembly	AC1	束 線	(V295030)	
* W602	--	Connector Assembly	AC2	束 線	(V295040)	
* W603	--	Connector Assembly	AC2	束 線	(V295040)	
CN101	VV067700	Connector Base Post	M2426XXR 3P SE	コネクタベースポスト	XS350	01
CN102	VV067800	Connector Base Post	M2426XXR 4P SE	コネクタベースポスト		01

*: New parts

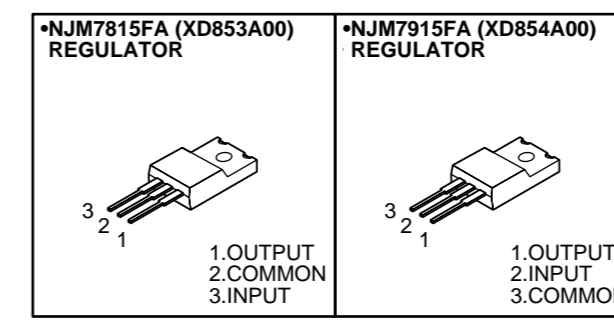
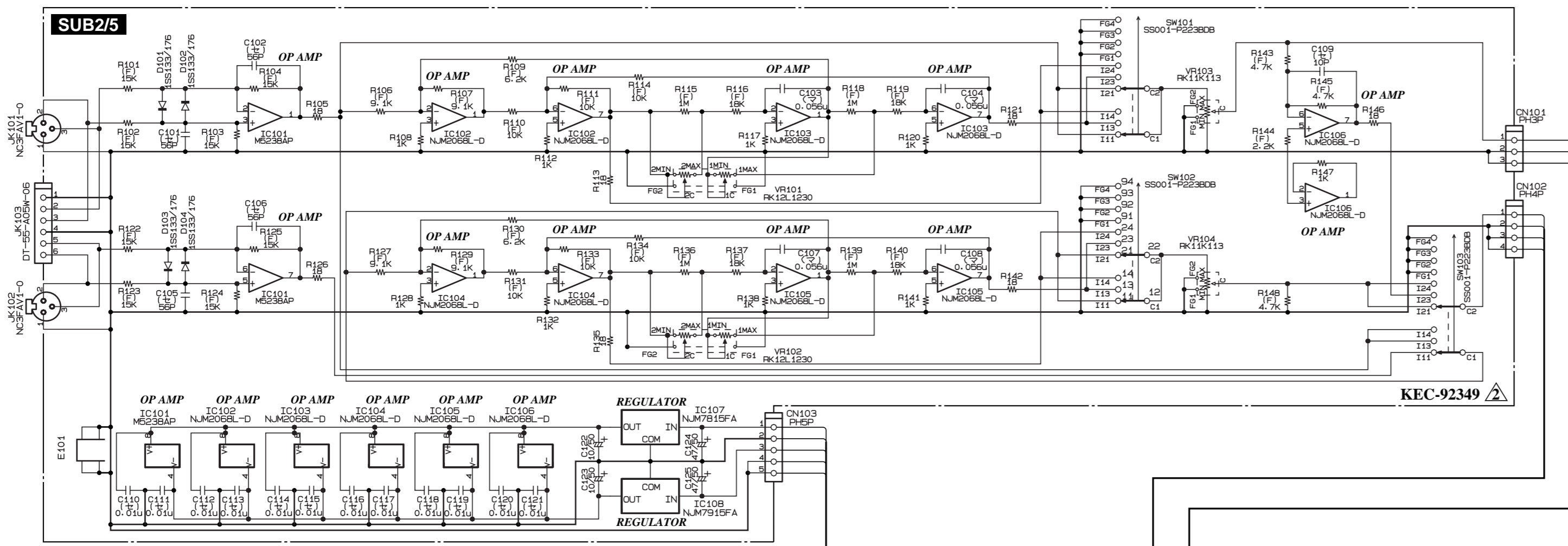
RANK: Japan only

REF NO.	PART NO.	DESCRIPTION		部 品 名	REMARKS	QTY	RANK
CN103	VV067900	Connector Base Post	M2426XXR 5P SE	コネクタベースポスト			01
CN407	LB932040	Base Post Connector	VH- 4P TE	ベースポスト			01
CN501	VV066700	Connector Base Post	M2426XX 7P TE	コネクタベースポスト			01
CN601	VZ005700	Fasten Terminal	TP82223-22	ファストン端子			01
-603	VZ005700	Fasten Terminal	TP82223-22	ファストン端子			01
CN604	VZ005700	Fasten Terminal	TP82223-22	ファストン端子	XS350		01
CN605	VZ005700	Fasten Terminal	TP82223-22	ファストン端子			01
CN606	VZ005700	Fasten Terminal	TP82223-22	ファストン端子			01
CN607	VZ005700	Fasten Terminal	TP82223-22	ファストン端子	XS350		01
CN608	VZ005700	Fasten Terminal	TP82223-22	ファストン端子			01
CN609	LB932030	Base Post Connector	VH- 3P TE	ベースポスト			01
CN610	VV066500	Connector Base Post	M2426XX 5P TE	コネクタベースポスト			01
CN611	VV066800	Connector Base Post	M2426XX 8P TE	コネクタベースポスト			01
CN612	LB932020	Base Post	2P TE	ベースポスト			01
IC101	XM085A00	IC	M5238AP	I C	OP AMP		03
IC102	XM356A00	IC	NJM2068L-D	I C	OP AMP		02
-106	XM356A00	IC	NJM2068L-D	I C	OP AMP		02
IC107	XD853A00	IC	NJM7815FA	I C	REGULATOR		03
IC108	XD854A00	IC	NJM7915FA	I C	REGULATOR		03
JK101	VU805200	XLM Connector	XLR JACK NC3FAV1-0	キャノンコネクタ	INPUT CHANNEL A		04
JK102	VU805200	XLM Connector	XLR JACK NC3FAV1-0	キャノンコネクタ	INPUT CHANNEL B		04
* JK103	V2472100	Lug Terminal	DT-55-A05W-06	貫通端子台	INPUT		
LD501	V3091900	LED	LT032141BAC GR	L E D	POWER		01
LD502	V3091800	LED	LT311G41BAC RE	L E D	A. CLIP		01
LD503	V3091900	LED	LT032141BAC GR	L E D	A. SIG		01
LD504	V3091800	LED	LT311G41BAC RE	L E D	B.CLIP		01
LD505	V3091900	LED	LT032141BAC GR	L E D	B. SIG		01
LD506	V3091800	LED	LT311G41BAC RE	L E D	PROTECTION		01
LD507	V3091800	LED	LT311G41BAC RE	L E D	PROTECTION		01
* SP401	VZ956900	Speaker Terminal	STB-403AU 4P	スピーカ端子	SPEAKERS CHANNEL A-2, B-2		
SP402	V2036900	Lug Terminal	DT-55-A14W-04	貫通端子台	SPEAKERS CHANNEL A-1, B-1		04
* SW101	V2802500	Slide Switch	SS001-P223BDB-PA14	スライドSW	2 - 3	FILTER CHANNEL A SWITCH	
* SW102	V2802500	Slide Switch	SS001-P223BDB-PA14	スライドSW	2 - 3	FILTER CHANNEL B SWITCH	
* SW103	V2802500	Slide Switch	SS001-P223BDB-PA14	スライドSW	2 - 3	MODE	
SW601	VY898100	Push Switch	SDDFA3107U-YL UCS	プッシュSW		POWER SWITCH	05
* VR101	VZ611200	Rotary Variable Resistor	C 100K RK12L123	2連ロータリーVR		FILTER CHANNEL A	
* VR102	VZ611200	Rotary Variable Resistor	C 100K RK12L123	2連ロータリーVR		FILTER CHANNEL B	
* VR103	V2479500	Rotary Variable Resistor	A 5K RK11K113	ロータリーVR		CHANNEL A	
* VR104	V2479500	Rotary Variable Resistor	A 5K RK11K113	ロータリーVR		CHANNEL B	
ZD601	VG437700	Zener Diode	MTZ J 5.6B 5.6V	ツェナーダイオード			01
* VZ021200		AC Cord	UC SJT 3X#18 10A	電源コード	U,V		06
* VZ944000		AC Cord	H H05VV-F0.75X3 6A	電源コード	H,W,A		
VZ021600		AC Cord	BS H05VV-F 13A	電源コード	B		08
* XU903A00		Power Transformer		電源トランス	XS350 U,V		
* XU904A00		Power Transformer		電源トランス	XS350 H,W,B		
* XU905A00		Power Transformer		電源トランス	XS350 A		
* XU900A00		Power Transformer		電源トランス	XS250 U,V		
* XU901A00		Power Transformer		電源トランス	XS250 H,W,B		
* XU902A00		Power Transformer		電源トランス	XS250 A		
* V2945700		Fan	KDE2412PMS3-6A/A47	DCファン			

*: New parts

RANK: Japan only

XS250/350 OVERALL CIRCUIT DIAGRAM (PA7, SUB1/5 - SUB5/5)



- Capacitor (フ): Mylar Capacitor
(マ): Mylar Capacitor
(セ): Ceramic Capacitor
(マイカ): Mica Capacitor
- Resistor (ワ): Flame Proof C. Resistor
セメント: Wire Wound Resistor

