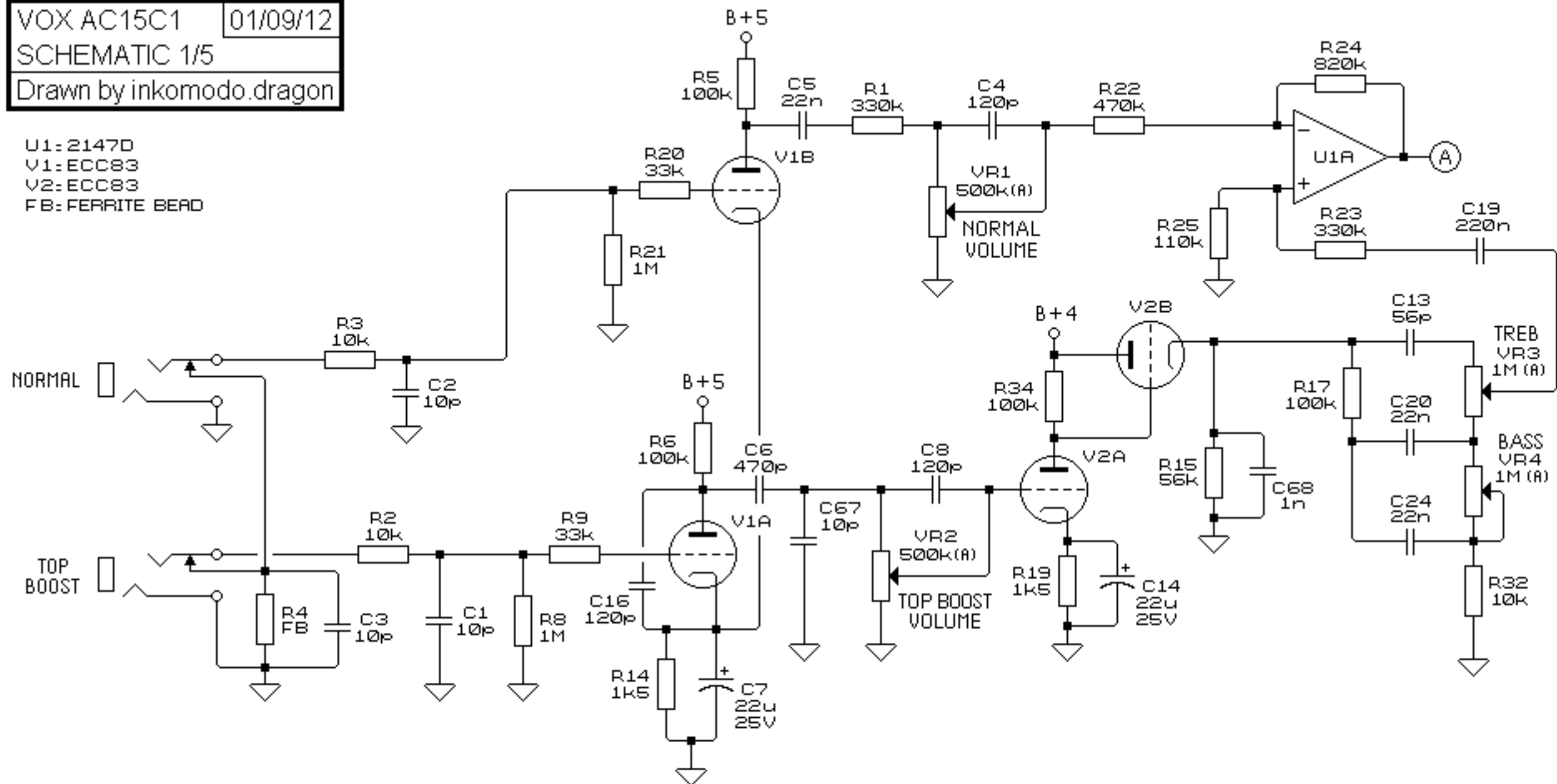


VOX AC15C1 01/09/12  
 SCHEMATIC 1/5  
 Drawn by inkomodo.dragon

U1: 2147D  
 V1: ECC83  
 V2: ECC83  
 FB: FERRITE BEAD



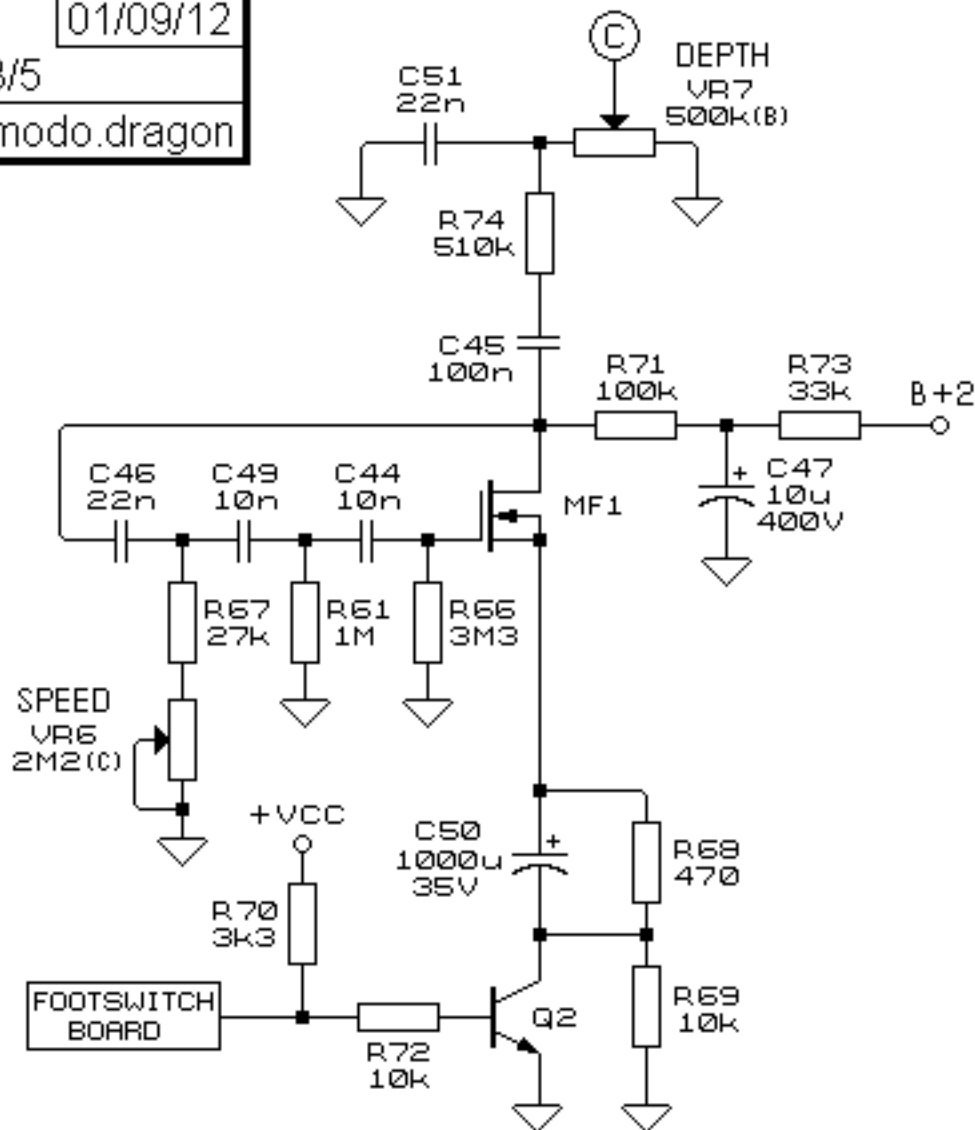


VOX AC15C1

01/09/12

SCHEMATIC 3/5

Drawn by inkomodo.dragon

MF1: LND150  
Q2: 2SC2910



VOX AC15C1 13/09/12  
 SCHEMATIC 5/5 REV 2  
 Drawn by inkomodo.dragon

F0: 630mAL (250V)  
 F1: 250mAL (250V)  
 F2: 6,3AL (250V)  
 F3: 2,2Ω (1/5)  
 R0: CURRENT LIMITER  
 BR1: KBU4A

