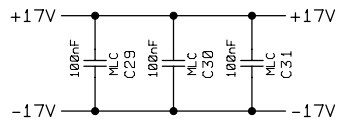
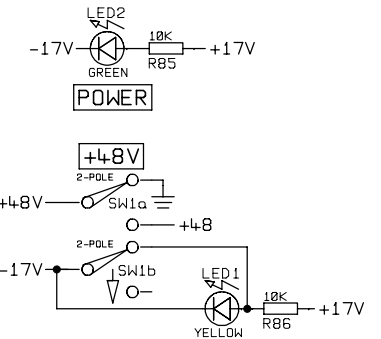
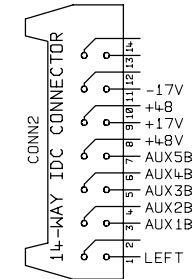


TO AUX-MON BOARD



STUDIOMASTER DIAMOND LTD		TITLE	AUX - MON SUB BOARD		FILE NAME	R6C6-1.DGM	
PRODUCT	PR02 (R6)	PART 1 OF 1			ISSUE No	9603036-1	
VERSIONS		DRN BY	P.A.	DATE	26-02-97	PCBUSU92	