

## INTRODUCTION

Thank you for your purchase of the CT 1 CABLE DETECTIVE cable tester. This unit was designed with the working musician and sound person in mind. Read the following manual carefully to ensure proper operation and a full understanding of all the CT 1 functions. The unit tests for: opens, shorts, intermittents, and crossed wires

## WARRANTY

For information on the Rolls One Year Limited Warranty, and to register this product, visit our website at [www.rolls.com](http://www.rolls.com)

## DESCRIPTION

The CT 1 consists of two RCA jacks, two 1/4" jacks, two female XLR, two male XLR jacks, and two MIDI jacks.

To test RCA and 1/4" TS cables, plug each end of the cable into the proper jack and wiggle the cable around at different points on the cable. Watch the 1 and 2 LEDs, if either LED is off, or goes on and off - the cable is bad.

The testing procedure for 1/4" TRS (stereo) and XLR cables is identical to the above, except watch the 1, 2 and 3 LEDs. Adapter type cables, such as 1/4" to XLR cables, may also be tested by plugging each end into it's proper jack on either side of the line. Test as indicated above.

To test a MIDI cable, plug each end of the cable into the MIDI jacks and test as described above. Watch the 1 and 2 LEDs, if either LED is off, or goes on and off - the cable is bad.

NOTE: WHEN TESTING A 1/4" MONO TO RCA CABLE, CONNECT THE 1/4" PLUG TO THE LEFT 1/4" JACK AND THE RCA TO THE RIGHT RCA JACK. DUE TO A PARTICULAR CIRCUIT CONSIDERATION, TESTING VICE VERSA (WITH THE 1/4" ON THE RIGHT AND THE RCA ON THE LEFT) WILL BE INACCURATE.

## TEST INDICATORS

NO LEDS = BAD CORD OR DEAD BATTERY

1 LED = SHORTED WIRES

2 LEDS = RCA, MIDI OR MONO CORD GOOD, OR CROSSED WIRES IN STEREO & XLR CORDS

3 LED = GOOD STEREO 1/4" TRS, OR XLR CORD

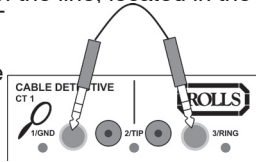
LED 1/GND: Indicates continuity between pins 1 of an XLR cable or MIDI cable, or ground on an RCA or 1/4" cable.

LED 2/TIP: Indicates continuity between pins 2 of an XLR cable, or the tip on an RCA or 1/4" cable.

LED 3/RING: Indicates continuity between pins 3 of an XLR cable or MIDI cable, or the ring of a 1/4" cable.

## OPERATION

Insert one end of the cable to be tested on the left side of the line, located in the middle of the CT 1, and the other side of the cable on the right side of the line. See example here.



# CT 1 CABLE DETECTIVE

- Tests 1/4", RCA, XLR and MIDI cables
- Tests combinations of the above
- Easy-to-read LED indication

Any musician or sound person knows how difficult it is to maintain cables. The CT 1 provides an efficient way to detect shorted or open cables. The unit tests 1/4" TS, 1/4" TRS, RCA, and XLR cables. It tests MIDI cables, plus, it will test combinations of the above.

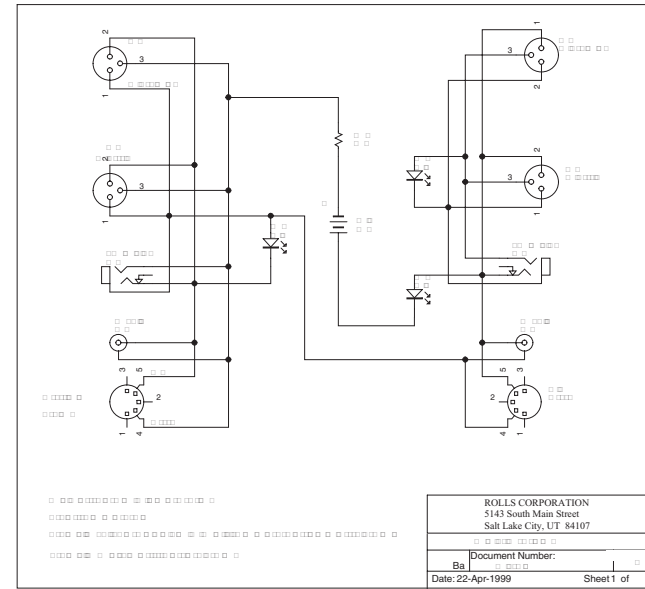
CT1 Cable Tester



**ROLLS**  
SLC, Utah  
10/01

# ROLLS

## CT 1 CABLE DETECTIVE Cable Tester



# Owners Manual