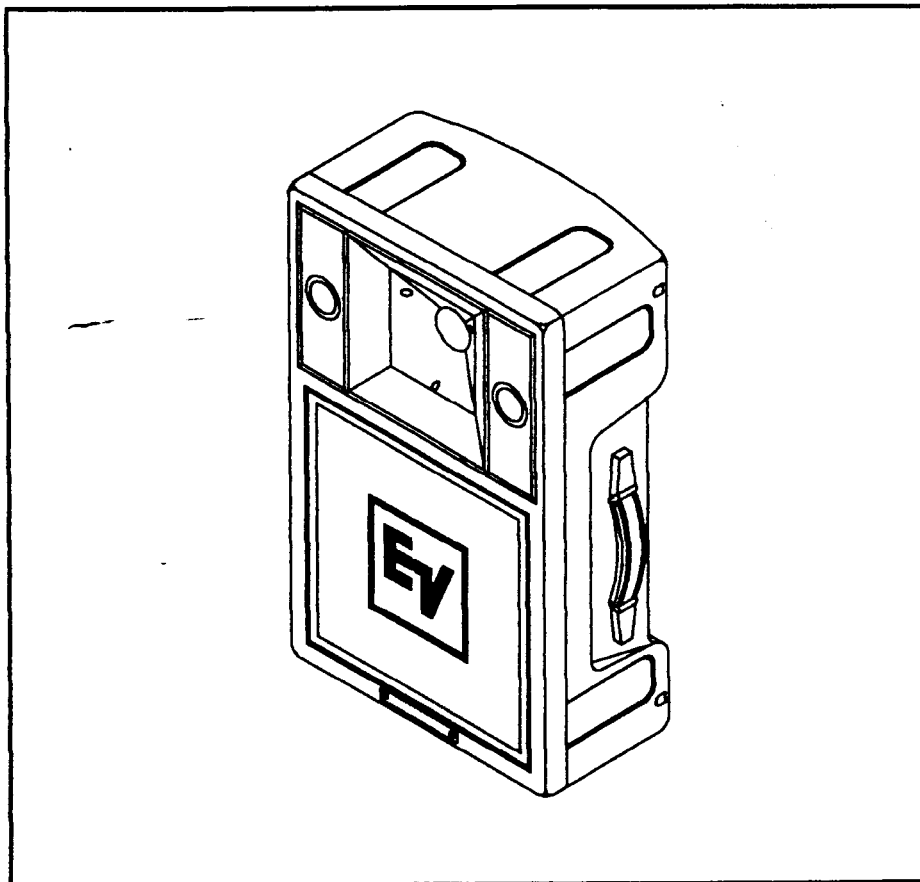


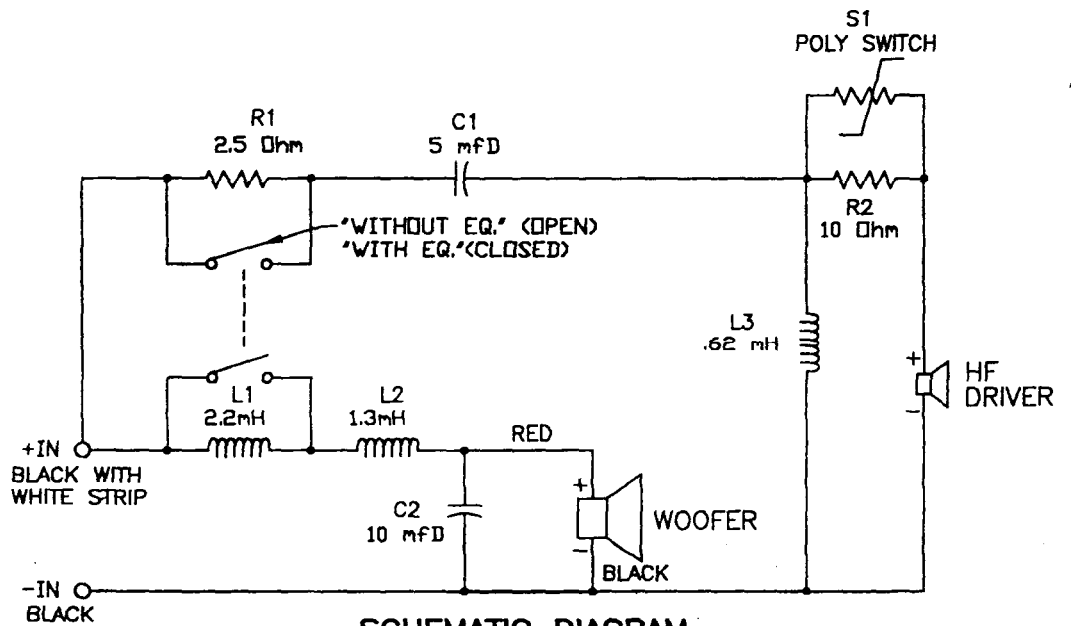
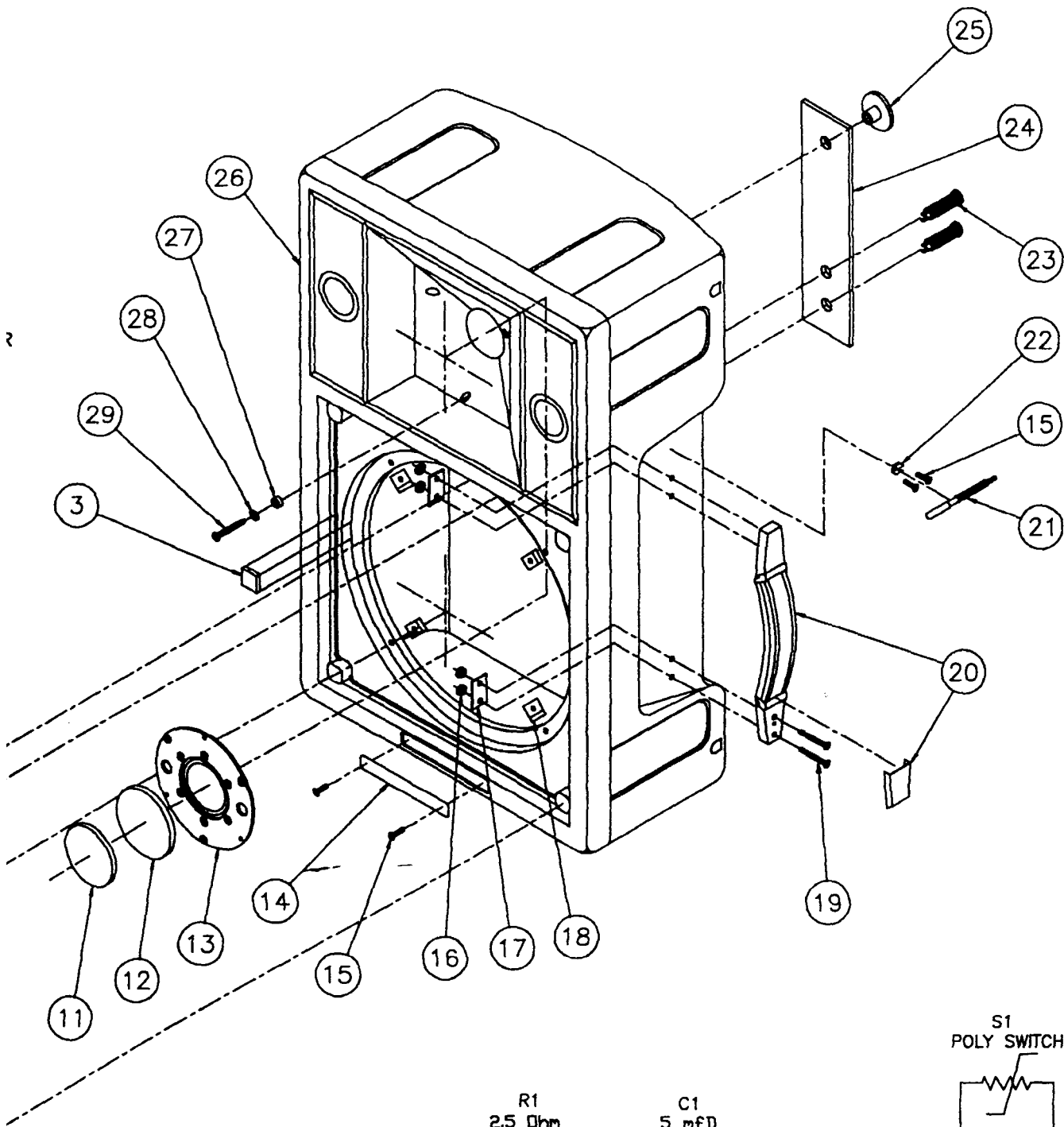


Electro-Voice®
TELEX Communications, Inc.
600 Cecil Street
Buchanan, Michigan 49107
Phone: 616-695-6831
FAX: 616-695-4743

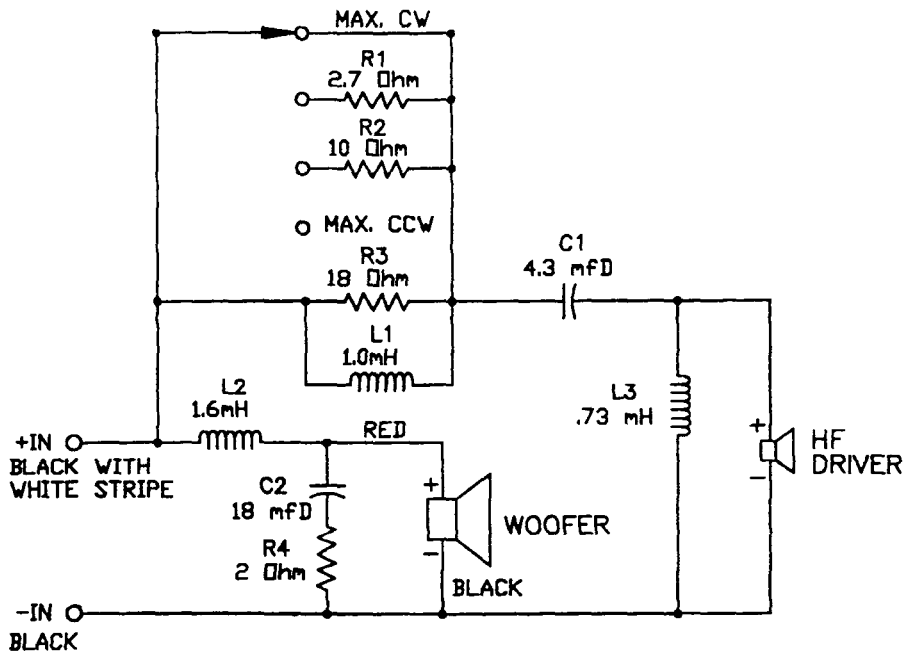
SERVICE DATA

100S & S200
(1019-0331) (1019-0522)

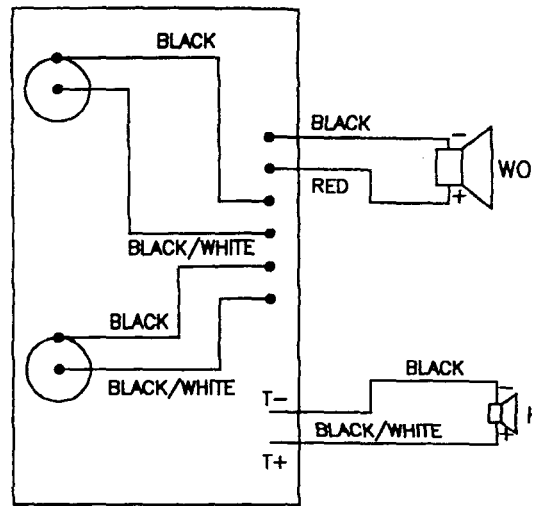




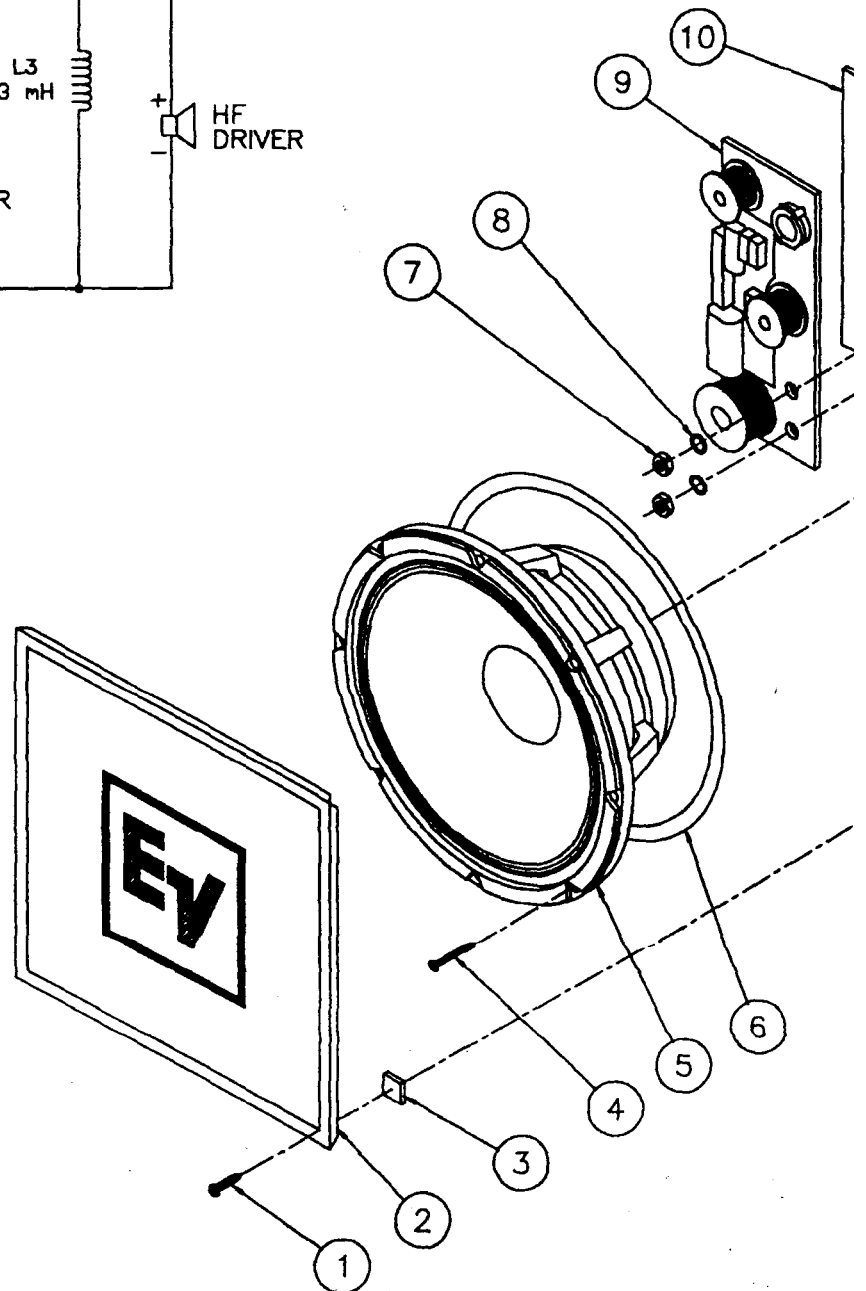
SCHEMATIC DIAGRAM
CROSSOVER FOR 200S
(P/N 82909)



SCHEMATIC DIAGRAM
CROSSOVER FOR 100S
 (P/N 82462)



WIRING DIAGRAM



PARTS LIST

QUANTITIES SHOWN ARE FOR ONE COMPLETE UNIT

ITEM	100S PART NO.	S200 PART NO.	QTY.	DESCRIPTION	
1	63145		4	SCREW, #6-20 x 1/2, PAN HD., PHILLIPS	
2	82594B	89749B	1	GRILLE	
3	38711		6	GASKET, FOAM, TESIMOL 3/4 IN. LG.	
4	63087 CP		4	SCREW, #10-16 x 1 1/2 LG., FLT HD, XREC, BLK ZINC	
5	1812-0560	812-0890	1	LOUDSPEAKER, 12 IN.	
6	38711		1	TAPE, FOAM, TESIMOL, 39 IN. LG.	
7	20403 AE		2	NUT, 15/32-32, HEX, BRASS	
8	38780 AE		2	WASHER, LOCK, 31/64" EXT TOOTH	
9	82462	82909	1	CROSSOVER S/A	
10	38721		1	GASKET, FOAM, 4" x 10" x .25 THK. PRESSURE SENSITIVE	
11	70809		1	SCREEN, TWEETER, SCOTTFOAM, CHARCOAL	
12	78219 DH		1	SCREEN, GRILLE, 16 MESH STL.	
13	89545	81217	1	TWEETER S/A, DOME	
14	48605	48625	1	NAMEPLATE	
15	63101 CP		4	SCREW, #4 x 1/2, PAN HD, XREC	
16	20792 AE		4	NUT, #8-32, HEX, STL, WHIZ-LOCK	
17	71553		2	PLATE, MOUNTING	
18	20227		4	CLIP, TINNERMAN #C15286-8-27	
19	606222 CE		4	SCREW, #8-32 x 1 3/8, FLAT HD, XREC	
20	20306		1	HANDLE, AMERICAN, 192C-5062-5180, DULL BLACK	
21	70814 CS		1	SUPPORT, MONITOR	
22	70908 CP		1	CLIP, SPRING, SPRG STL	
23	17315		2	CONNECTOR, PHONO JACK, HEX HD	
24	530092	530310	1	LABEL, INPUT	
25	20373	—	1	KNOB, FLAT, BLK, PHILLIPS PLASTIC #10	
	—	20371	1	BUSHING, HEYCO SB-750-10	
26	81093 A		1	ENCLOSURE S/A	
27	72245 UP		1	PLUG, PLASTIC, BLK	
28	38691 CP		3	WASHER, FLAT, 3/8 OD x 3/16 ID x 3/64 THK.	
29	63004 CP		3	SCREW, #8-18 x 1 1/2, PAN HD, XREC, BLK ZINC	
CROSSOVER ITEM NO.'S				QTY.	DESCRIPTION
	56166	56200	1	SWITCH (NOT SHOWN)	
9	82462		1	CROSSOVER S/A,	
C1	42730		1	CAPACITOR, 4.3 uF, 100 VOLT	
C2	42711		1	CAPACITOR, 18 uF, 70 VOLT	
L1	35404		1	INDUCTOR, 1.0 mH, #21 GA. WIRE	
L2	35034		1	INDUCTOR, 1.6 mH	
L3	3584		1	INDUCTOR, 0.73 mH, #21GA. WIRE	
R1	46675		1	RESISTOR, 2.7 Ohm, 5%, 5 WATT	
R2	46702		1	RESISTOR, 10 Ohm, 5%, 5 WATT	
R3	46677		1	RESISTOR, 18 Ohm, 5%, 5 WATT	
R4	46671		1	RESISTOR, 2 Ohm, 10%, 22 WATT	
9		82909	1	CROSSOVER S/A,	
C1		42524	1	CAPACITOR, 5 uF, 5%, 200 VOLT	
C2		42726	1	CAPACITOR, 10 uF, 10%, 100 VOLT	
L1		35551	1	INDUCTOR, 2.2 mH, #18 GA. WIRE	
L2		35560	1	INDUCTOR, 1.3 mH	
L3		35559	1	INDUCTOR, 0.62 mH, #18 GA. WIRE	
R1		46795	1	RESISTOR, 2.5 Ohm, 5%, 50 WATT	
R2		46855	1	RESISTOR, 10 Ohm, 10%, 50 WATT	
S1		56201	1	SWITCH, POLY, PTC	