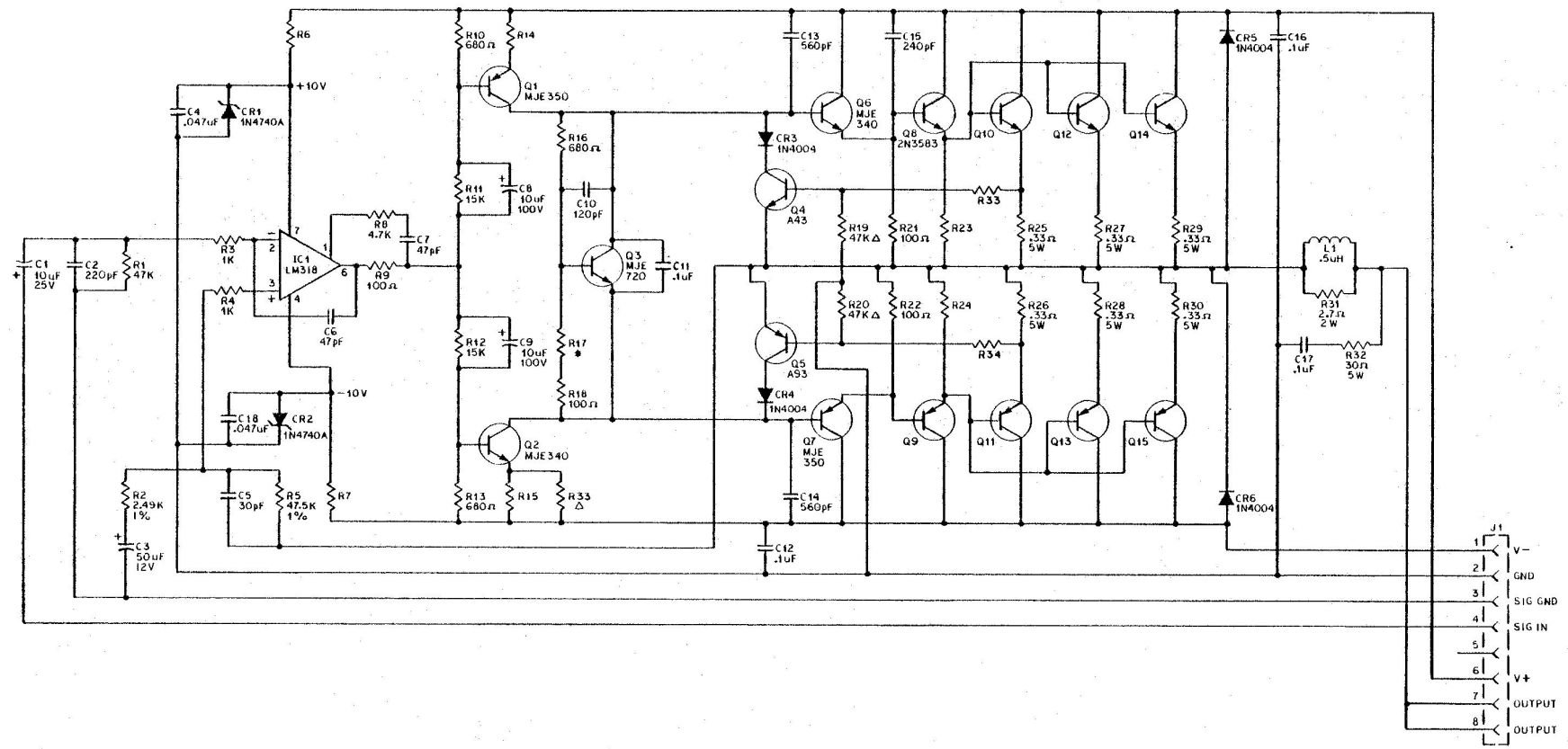


REVISIONS			
ITN	DESCRIPTION	DATE	APPROVED



- 4 - CHECK PARTS LIST FOR VALUES OF UNMARKED COMPONENTS.
- Δ 3 - MAY BE SELECTED FOR OPTIMUM OPERATION.
- * 2 - R17 TO BE SELECTED FOR 370 mA THRU EMITTER RESISTOR R23 OR R24.
- 1 - ALL RESISTORS 15%, 1/2 W, EXCEPT AS SHOWN.

NOTES: UNLESS OTHERWISE SPECIFIED

UNLESS OTHERWISE SPECIFIED
 DIMENSIONING AND TOLERANCING PER ANSI Y14.5.
 DIMENSIONS ARE IN INCHES AND APPLY AFTER PLATING.
 TOLERANCES ON DECIMALS:
 .30 ± .01 .200 ± .010
 TOLERANCE ON ANGLES ± 0° 30'
 BREAK SHARP EDGES .010 MAX SURFACE ROUGHNESS 125

DRAWN	8-27-77
CHECK	8-29-77
PROJECT ENGR	8-29-77

BGI ELECTRONICS		BGI SYSTEMS 13130 SOUTH YUKON AVE HAWTHORNE, CA 90250 (213) 973-9090	
TITLE		SCHEMATIC, HEAT SINK MODULE, POWER AMPLIFIER	
SIZE	FORM	DRAWING NUMBER	REV
D	MFRM	MFRM-06901	—
SCALE NONE	SHEET	OF	1

FORM - 06901

DO NOT SCALE DRAWING