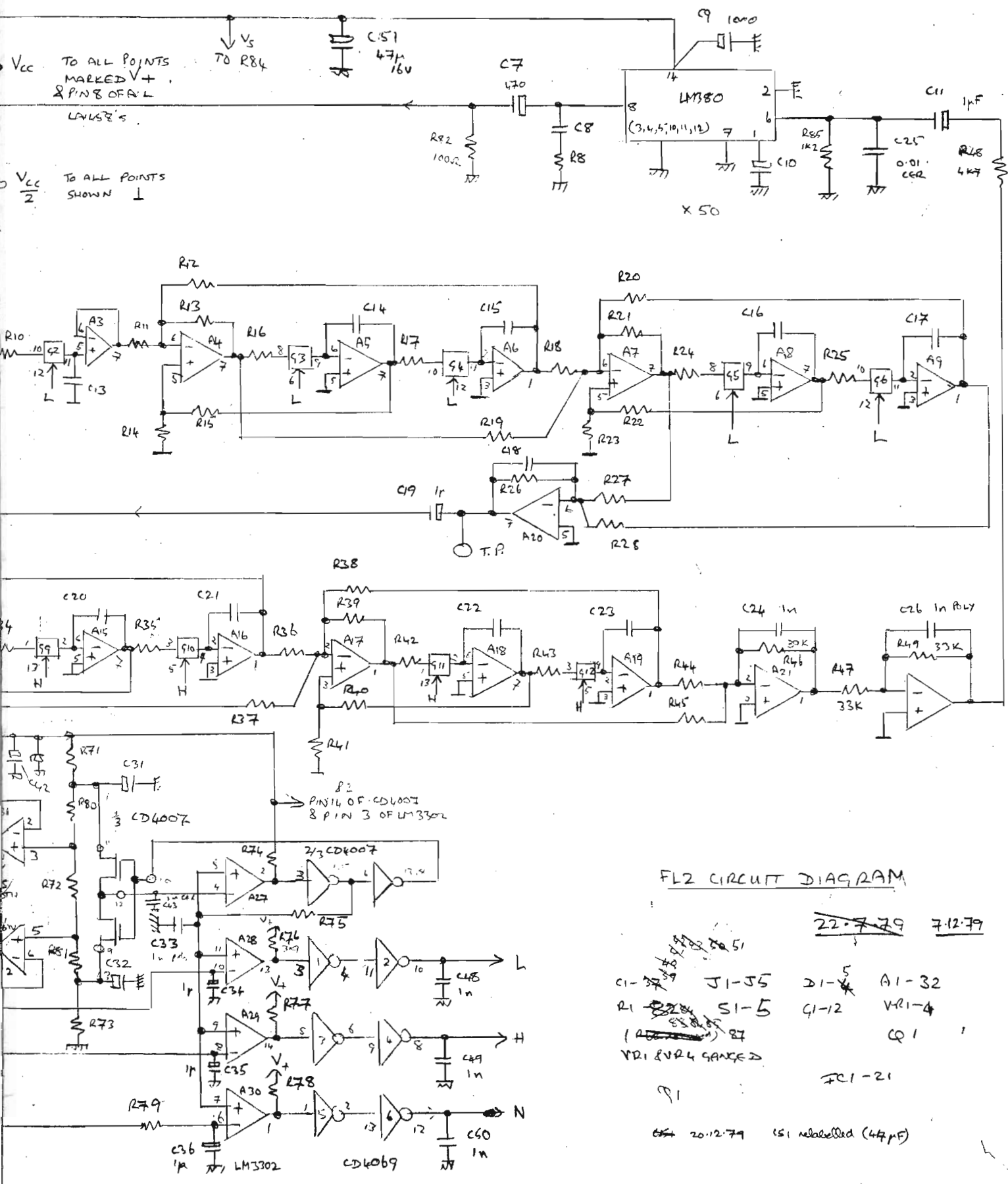


R4/R5 5KHz & 4

Re wire R66



FL2 CIRCUIT DIAGRAM

~~22.7.79~~ 7.12.79

- C1-~~3~~ J1-J5
- R1-~~2~~ S1-S5
- (~~1~~) 87
- VR1 & VR4 GANGED
- 91
- 20.12.79 C51 relabelled (47pF)
- 21-5
- C1-12
- Q1
- IC1-21
- A1-32
- VR1-4